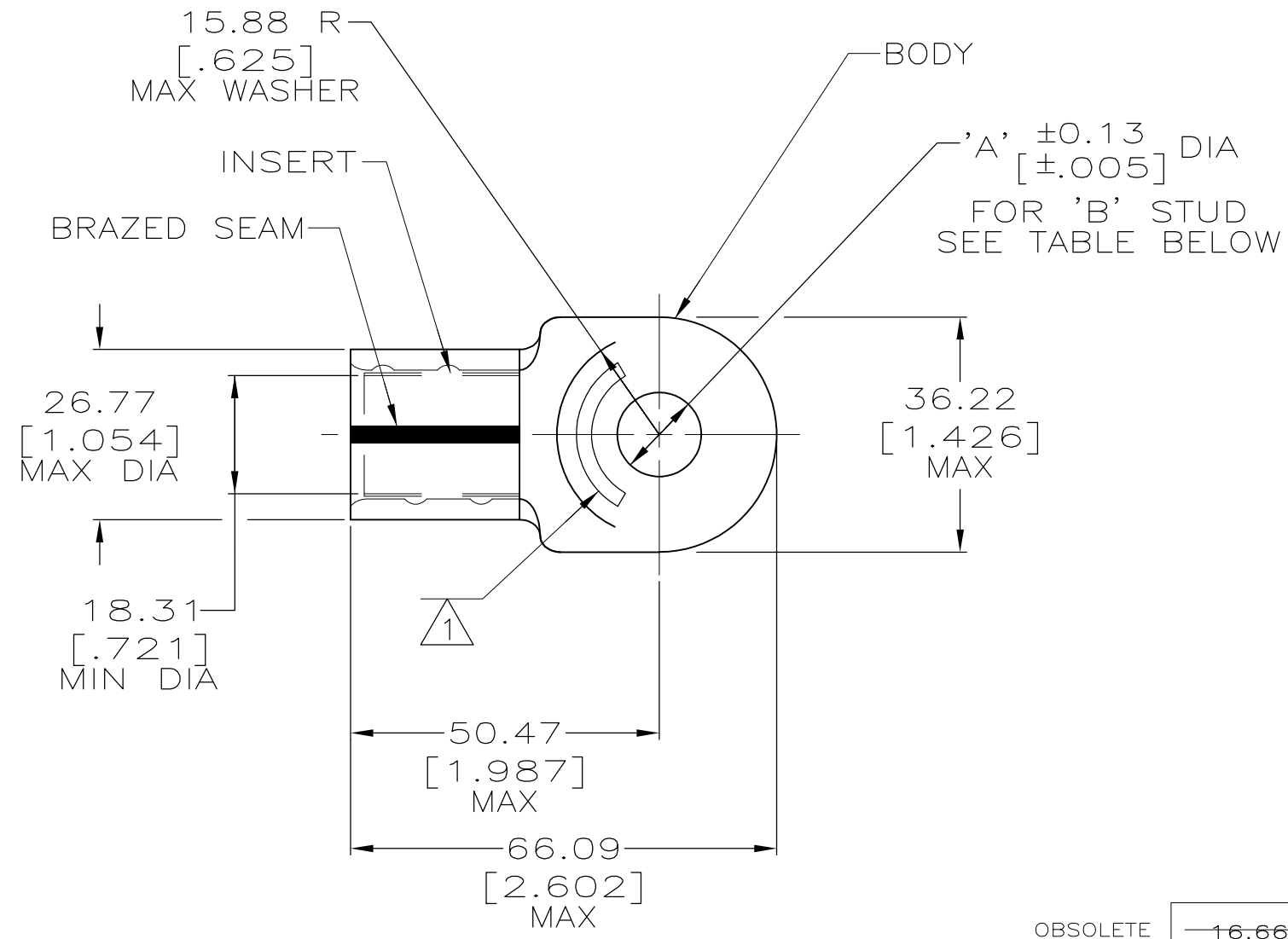


THIS DRAWING IS UNPUBLISHED. RELEASED FOR PUBLICATION
 © COPYRIGHT BY TYCO ELECTRONICS CORPORATION. ALL INTERNATIONAL RIGHTS RESERVED.

LOC	DIST	REVISIONS					
		P	LTR	DESCRIPTION	DATE	DWN	APVD
G	86		F	REVISED PER ECO-10-013908	07JUL10	PY	BW



- 1 STAMP AMP 250-300 MCM APPROX AS SHOWN
- 2 MATERIAL THK: 3.20 ±0.10 [.126 ±.004]

OBSOLETE	16.66 [.656]	5/8	BODY: COPPER PER ASTM B-152 ANNEALED	52559-5
	13.08 [.515]	1/2		52559-4
OBSOLETE	11.51 [.453]	7/16	TIN PL 0.00254 [.000100] MIN THK PER MIL-T-10727	52559-3
	9.91 [.390]	3/8	INSERT: BRASS PER MIL-C-50	52559-2
OBSOLETE	8.33 [.328]	5/16		TIN PL 0.00254 [.000100] MIN THK PER MIL-T-10727
	6.73 [.265]	1/4		52559
	'A'	'B'	6.73 [.265]	PART NO

MAX RECOMMENDED OPERATING TEMPERATURE: 170°C MAX

VOLTAGE RATING: NOT APPLICABLE

WIRE CROSS SECTIONAL AREA RANGE: 117.0-152.0 mm [231-300] MCM SOLID OR STRANDED

THIS DRAWING IS A CONTROLLED DOCUMENT.

DIMENSIONS: INCHES

TOLERANCES UNLESS OTHERWISE SPECIFIED:

0 PLC	± -
1 PLC	± -
2 PLC	± -
3 PLC	± -
4 PLC	± -
ANGLES	± -

MATERIAL: SEE TABLE

FINISH: SEE TABLE

DWN DK SCHRUM 08MAR95	Tyco Electronics Corporation Harrisburg, PA 17105-3608	
CHK AJ KAUFMAN 09MAR95	Tyco Electronics	
APVD RE ROSER 09MAR95	NAME	
PRODUCT SPEC 09MAR95 JL MECKLEY	TERMINAL, RING TONGUE, STRANDED/SOLID, COPALUM WIRE SIZE: 250-300 MCM	
APPLICATION SPEC	SIZE	RESTRICTED TO
WEIGHT -	A3 00779	C-52559
CUSTOMER DRAWING		SCALE 1:1 SHEET 1 OF 1 REV F

X-ON Electronics

Largest Supplier of Electrical and Electronic Components

Click to view similar products for [Terminals category](#):

Click to view products by [TE Connectivity manufacturer](#):

Other Similar products are found below :

[00-054007-01074-6](#) [00-054007-70206-1](#) [00-054007-70210-8](#) [00-054007-70217-7](#) [00-054007-70228-3](#) [00-054007-70256-6](#) [00-054007-70316-7](#) [00-054007-49560-4](#) [00-054007-70209-2](#) [00-054007-70231-3](#) [00-054007-70241-2](#) [00-054007-70242-9](#) [00-054007-70246-7](#) [00-054007-70263-4](#) [00-054007-70288-7](#) [00-054007-70290-0](#) [00-054007-70300-6](#) [00-054007-70304-4](#) [01-2900-1-04412](#) [00581P0075](#) [600TS-10](#) [605601-1](#) [60598-1-CUT-TAPE](#) [60617-1-C](#) [61314-6-C](#) [61810-3](#) [62149-1](#) [626-0194](#) [62-SP](#) [63-S](#) [M55155/059I03](#) [M55155/079C01](#) [M55155/099B03](#) [M55155/099H02](#) [M55155/109H01](#) [M55155/12XH05](#) [M55155/29-5S](#) [M55155/29XJ08](#) [M55155/30-6S](#) [M55155/30-9S](#) [M55155/30XI09](#) [M6-14RSX](#) [696683-1](#) [696861-1](#) [696999-1](#) [M86700006](#) [D18-110B-C](#) [D18-110B-M](#) [701-1936](#) [701-1955](#)