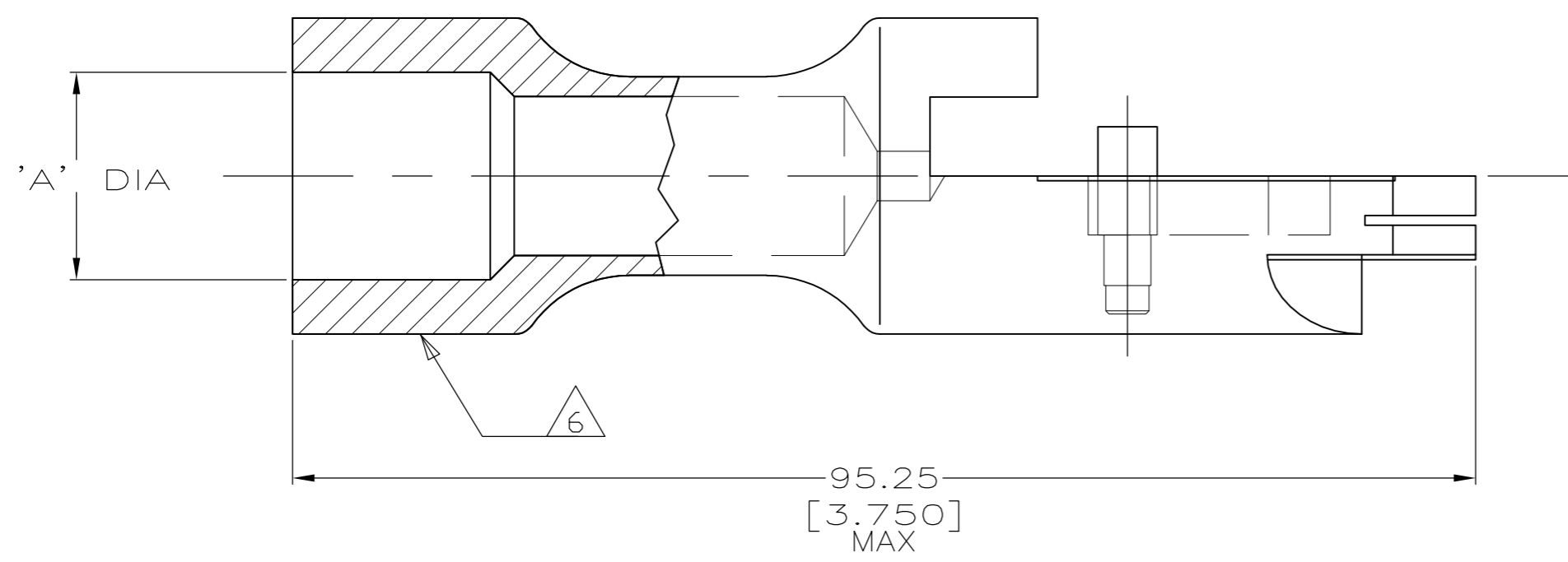
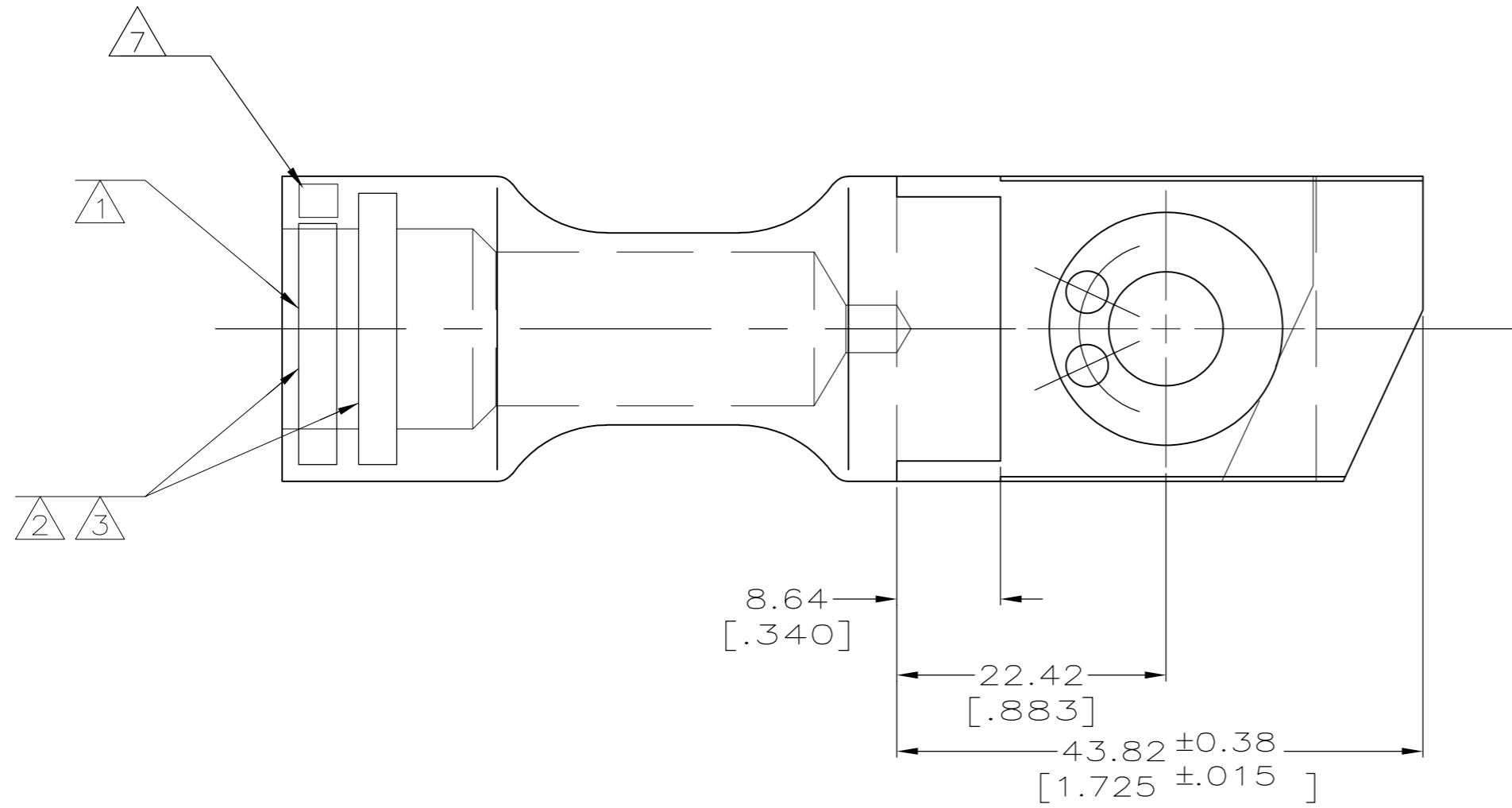
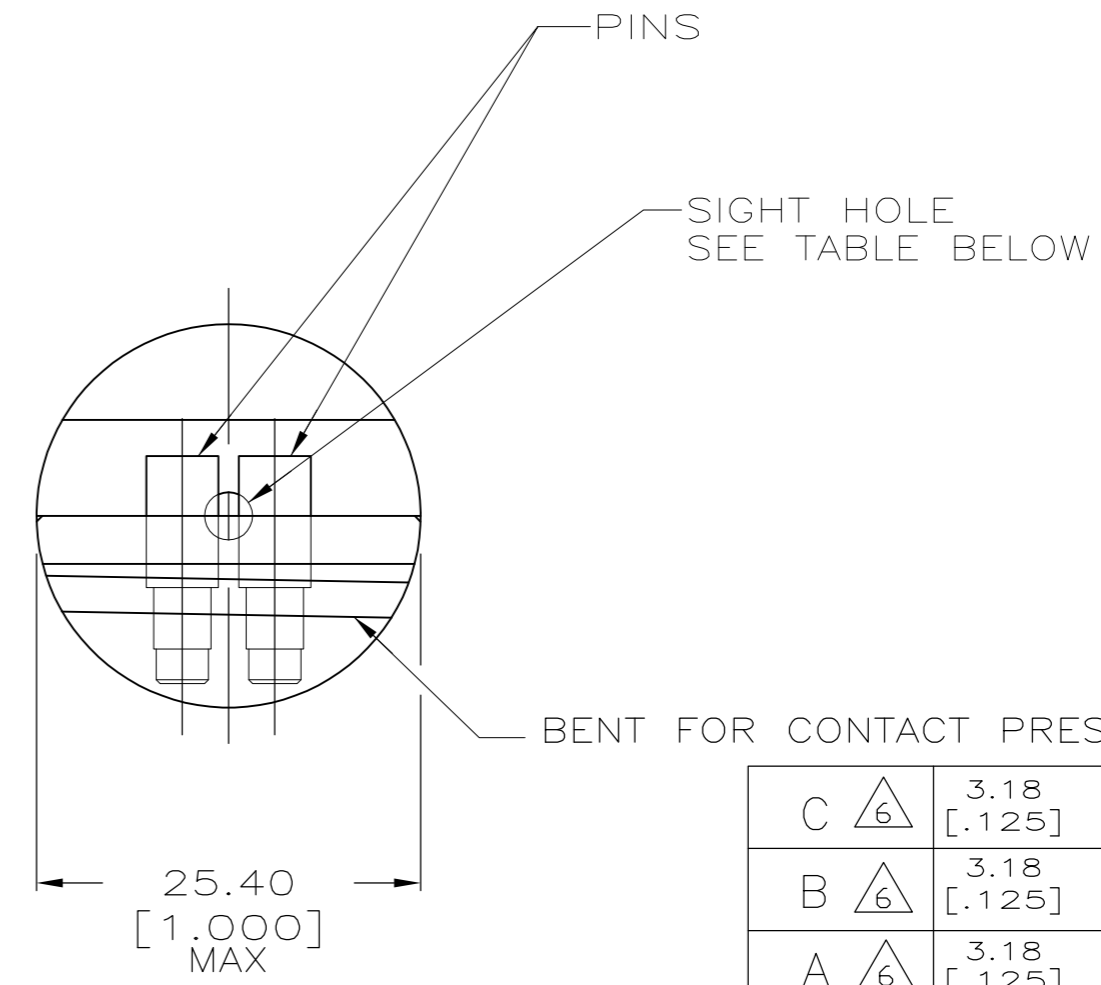


THIS DRAWING IS UNPUBLISHED. RELEASED FOR PUBLICATION  
 © COPYRIGHT BY TYCO ELECTRONICS CORPORATION. ALL RIGHTS RESERVED.

LOC	DIST	REVISIONS			
P	LTR	DESCRIPTION	DATE	DWN	APVD
G	86				
		REV PER ECR 09-003434	23FEB09	JR	RL



- ① STAMP AMP 1/0 APPROX AS SHOWN
- ② STAMP 1/0 A33 Ⓜ7077D8OG13 APPROX AS SHOWN
- ③ STAMP 1/0 A33 Ⓜ7077D8OG09 APPROX AS SHOWN
- ④ BODY AND PINS, BRASS PER QQ-B-626
- ⑤ SILVER PLATE 0.00254 [.000100] MIN PER QQ-S-365
- ⑥ STAMP " see table " TO DENOTE ELECTRICAL PHASE.
- ⑦ STAMP TYCO ELECTRONICS ID
- ⑧ PRELIMINARY - NOT FOR PRODUCTION



C	⑥	3.18 [.125]	16.66 [.656]	⑧1-52594-6
B	⑥	3.18 [.125]	16.66 [.656]	⑧1-52594-5
A	⑥	3.18 [.125]	16.66 [.656]	⑧1-52594-4
-		3.18 [.125]	16.66 [.656]	52594-6
-		3.18 [.125]	15.09 [.594]	52594-5
-		3.18 [.125]	15.09 [.594]	52594-4
-		3.18 [.125]	18.64 [.734]	52594-3
-		3.18 [.125]	16.66 [.656]	52594-2
-		NONE	16.66 [.656]	52594-1
STAMPING	SIGHT HOLE	'△'		AMP PART NUMBER

THIS DRAWING IS A CONTROLLED DOCUMENT.

DWN	DK SCHRUM	12JUN96	Tyco Electronics Corporation Harrisburg, PA 17105-3608				
CHK	WJ VOCKROTH	25JUN96					
APVD	JL MECKLEY	25JUN96					
PRODUCT SPEC	108-13014						
APPLICATION SPEC			NAME				
MATERIAL	④	FINISH	⑤	SIZE	CAGE CODE	DRAWING NO	RESTRICTED TO
				A2	00779	C=52594	-
CUSTOMER DRAWING				SCALE	2:1	SHEET	1 of 1
				REV	G		

## X-ON Electronics

Largest Supplier of Electrical and Electronic Components

*Click to view similar products for [Heavy Duty Power Connectors](#) category:*

*Click to view products by [TE Connectivity](#) manufacturer:*

Other Similar products are found below :

[647757-1](#) [6643411-1](#) [6646058-2](#) [6646137-1](#) [6646138-1](#) [6646479-1](#) [6646608-1](#) [6646786-1](#) [6646940-1](#) [6651091-1](#) [6651525-1](#) [6651529-1](#)  
[6651788-1](#) [696475-1](#) [702-32-01109](#) [703-25-02205](#) [73000005059](#) [73000005642](#) [73080255059](#) [73080965046](#) [765-15-0080A](#) [765-16-0080B](#)  
[765-18-0080D](#) [829992-1](#) [902-77-02113](#) [PS00/A0620/6300](#) [PS25/A0420/63](#) [129-1J](#) [1409400](#) [AN0024023](#) [E6374G1](#) [e6389g2](#) [157-43GW8](#)  
[MS3117-14AC](#) [1643543-1](#) [1650540-1](#) [1651811-2](#) [1766260-1](#) [1766282-1](#) [1766966-1](#) [1791340000](#) [NLDFT-3-BL-L-S120-M40A](#) [NLDFT-N-](#)  
[W-L-C240-M40B](#) [NLS-2-R-C240-M40B](#) [NLS-N-W-C240-M40B](#) [NPS-3-BL-T6](#) [1986615-1](#) [2-1589900-8](#) [2199314-1](#) [KA8102](#)