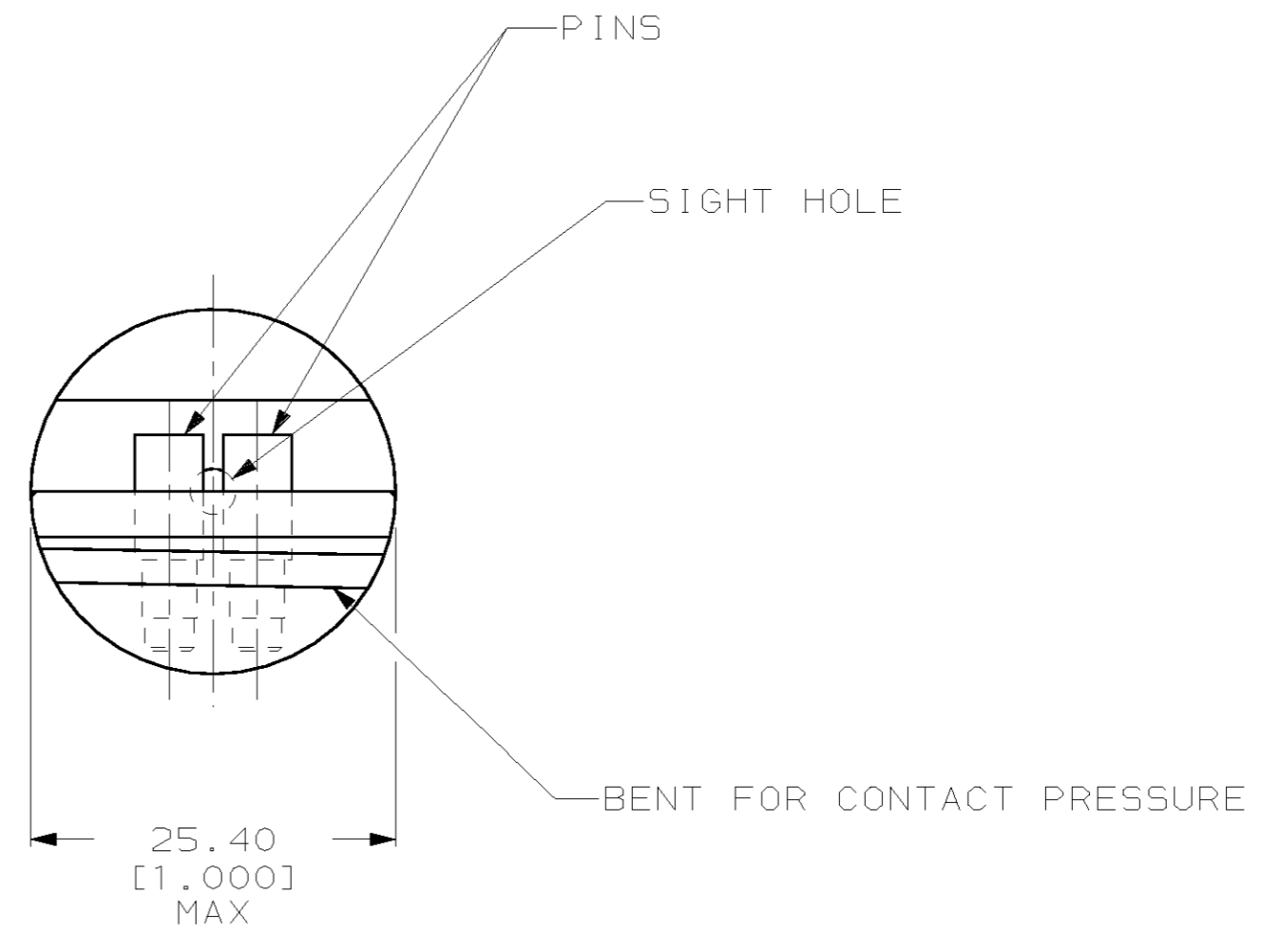
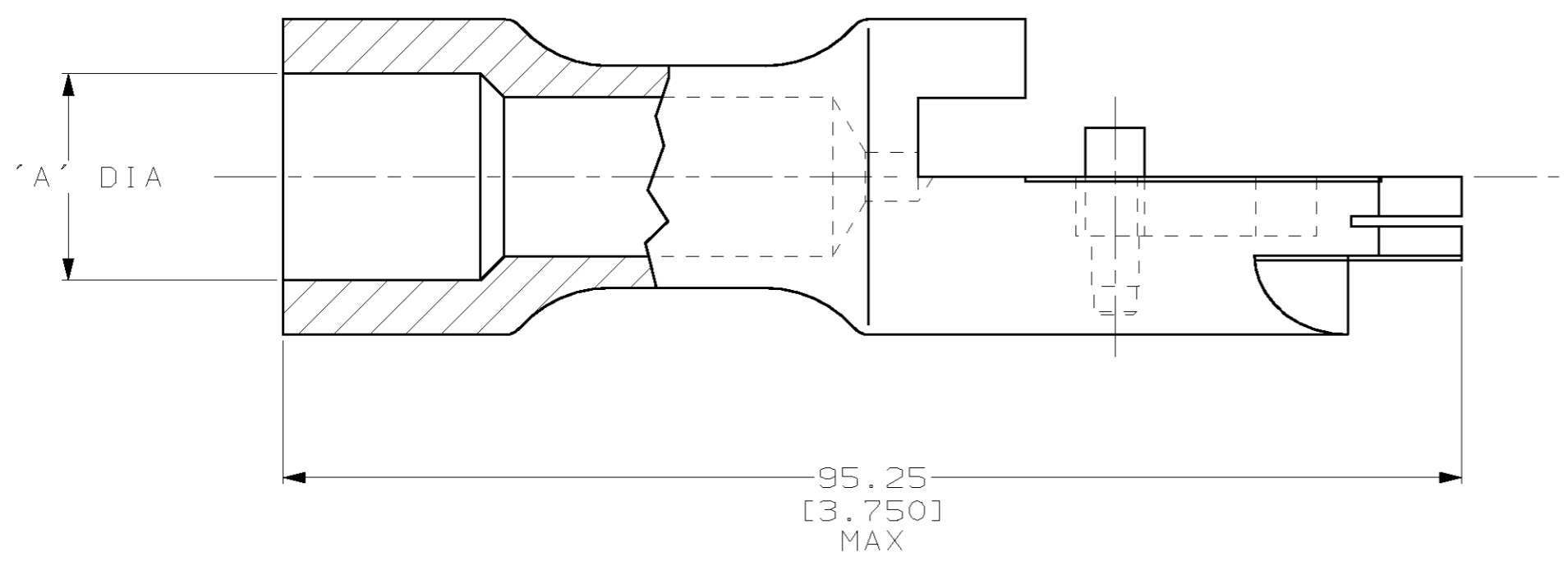
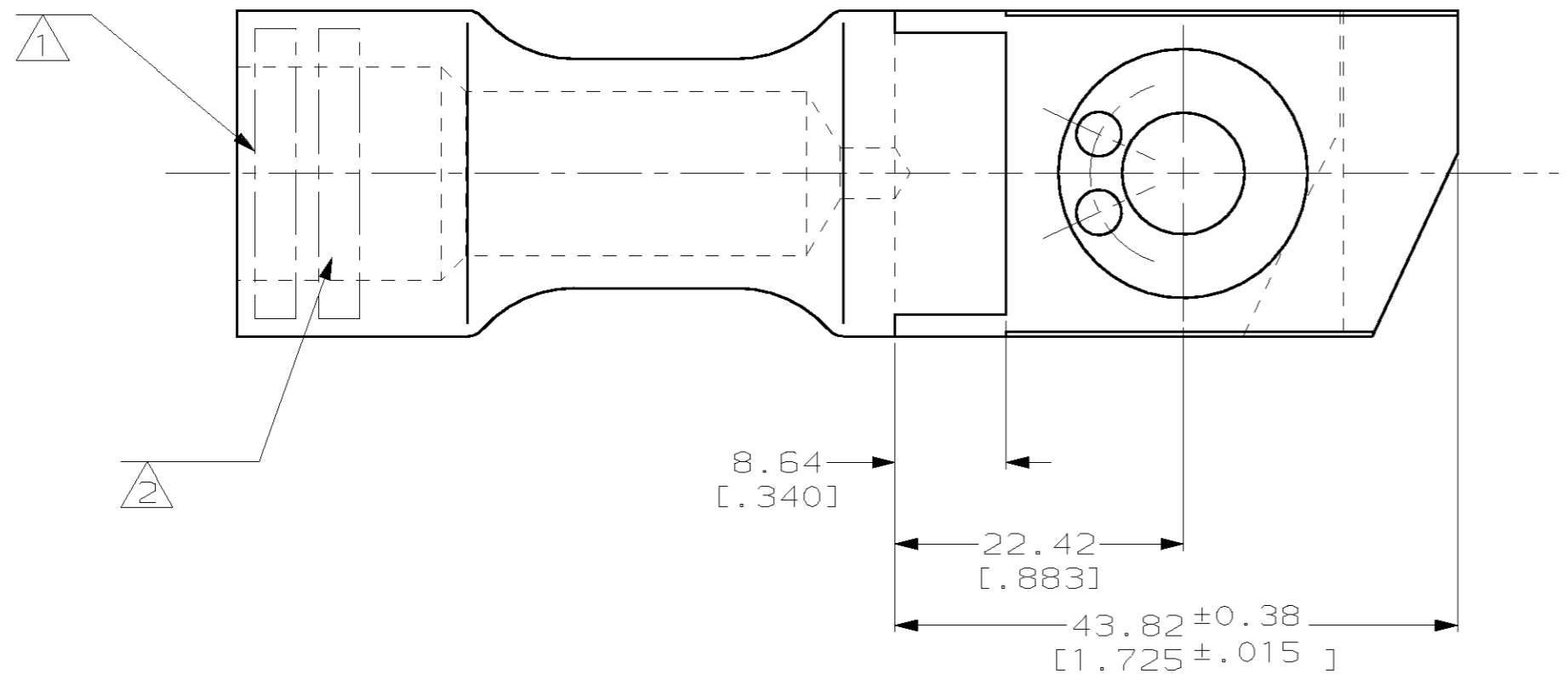


THIS DRAWING IS UNPUBLISHED. RELEASED FOR PUBLICATION .19
 © COPYRIGHT 19 BY AMP INCORPORATED. ALL RIGHTS RESERVED.

LOC	DIST	REVISIONS			
P	LTR	DESCRIPTION	DATE	DWN	APVD
G	86	H	REV PER 063A-0067-99	10AUG99	JR MS



QTY	DESCRIPTION	UNIT	PRICE	TOTAL	REMARKS
1	7077DB00617	2/0 A33	16.76 [.660]	0.0076 [0.0003]	52595-5
1	7077DB0611	2/0 A33	18.24 [.718]	0.0076 [0.0003]	52595-4
-	AMP 2/0		16.28 [.641]	0.0025 [0.0001]	52595-3
-	AMP 2/0		17.48 [.688]	0.0025 [0.0001]	52595-2
-	AMP 2/0		17.91 [.705]	0.0025 [0.0001]	52595-1
△	STAMPING	△	'A'	FINISH	AMP PART NUMBER

THIS DRAWING IS A CONTROLLED DOCUMENT FOR AMP INCORPORATED. IT IS SUBJECT TO CHANGE AND THE CONTROLLING ENGINEERING ORGANIZATION SHOULD BE CONTACTED FOR THE LATEST REVISION.		DWN JR RUTH 22JUL99 CHK M SPICER 22JUL99 APVD M SPICER 22JUL99	AMP AMP Incorporated Harrisburg, PA 17105-3608
DIMENSIONS: mm [INCHES]	TOLERANCES UNLESS OTHERWISE SPECIFIED: 0 PLC ±- 1 PLC ±- 2 PLC ±0.20(.008) 3 PLC ±- 4 PLC ±- ANGLES ±-	PRODUCT SPEC 108-13014 APPLICATION SPEC	NAME TERMINAL ASSEMBLY, QUICK-DISCONNECT, AMPPOWER™, WIRE SIZE: 2/0 AWG
MATERIAL BODY & PINS BRASS PER 00-B-626	FINISH SILVER PL MIN THK - SEE TABLE THK PER 00-S-365	WEIGHT - lbs	SIZE A2 CAGE CODE 00779 DRAWING NO C-52595
CUSTOMER DRAWING		SCALE 2:1	SHEET 1 OF 1 REV H

52595

X-ON Electronics

Largest Supplier of Electrical and Electronic Components

Click to view similar products for [Heavy Duty Power Connectors](#) category:

Click to view products by [TE Connectivity](#) manufacturer:

Other Similar products are found below :

[1424439](#) [1424438](#) [09330062652](#) [2-8675P1](#) [580129-2](#) [605601-1](#) [6340G1](#) [6341G1](#) [6360G1](#) [6373G1](#) [6374g2](#) [6396G1](#) [647757-1](#) [66394-4](#)
[6643411-1](#) [6646058-2](#) [6646137-1](#) [6646138-1](#) [6646348-1](#) [6646479-1](#) [6646608-1](#) [6646786-1](#) [6646940-1](#) [6651091-1](#) [6651525-1](#) [6651529-1](#)
[6651778-1](#) [6651788-1](#) [696465-1](#) [696475-1](#) [73000005059](#) [73000005349](#) [73000005642](#) [73080255059](#) [73080965046](#) [765-15-0080A](#)
[765-16-0080B](#) [789.700-44](#) [789.700-54](#) [80-1010](#) [80-9](#) [827381-1](#) [829992-1](#) [902-77-02113](#) [PL00U-301-10D10](#) [PM103MOOLOO](#)
[PM16S1620S32-50](#) [PM212MOOLOO](#) [PM309FOOLOO](#) [PM324FOOLCH](#)