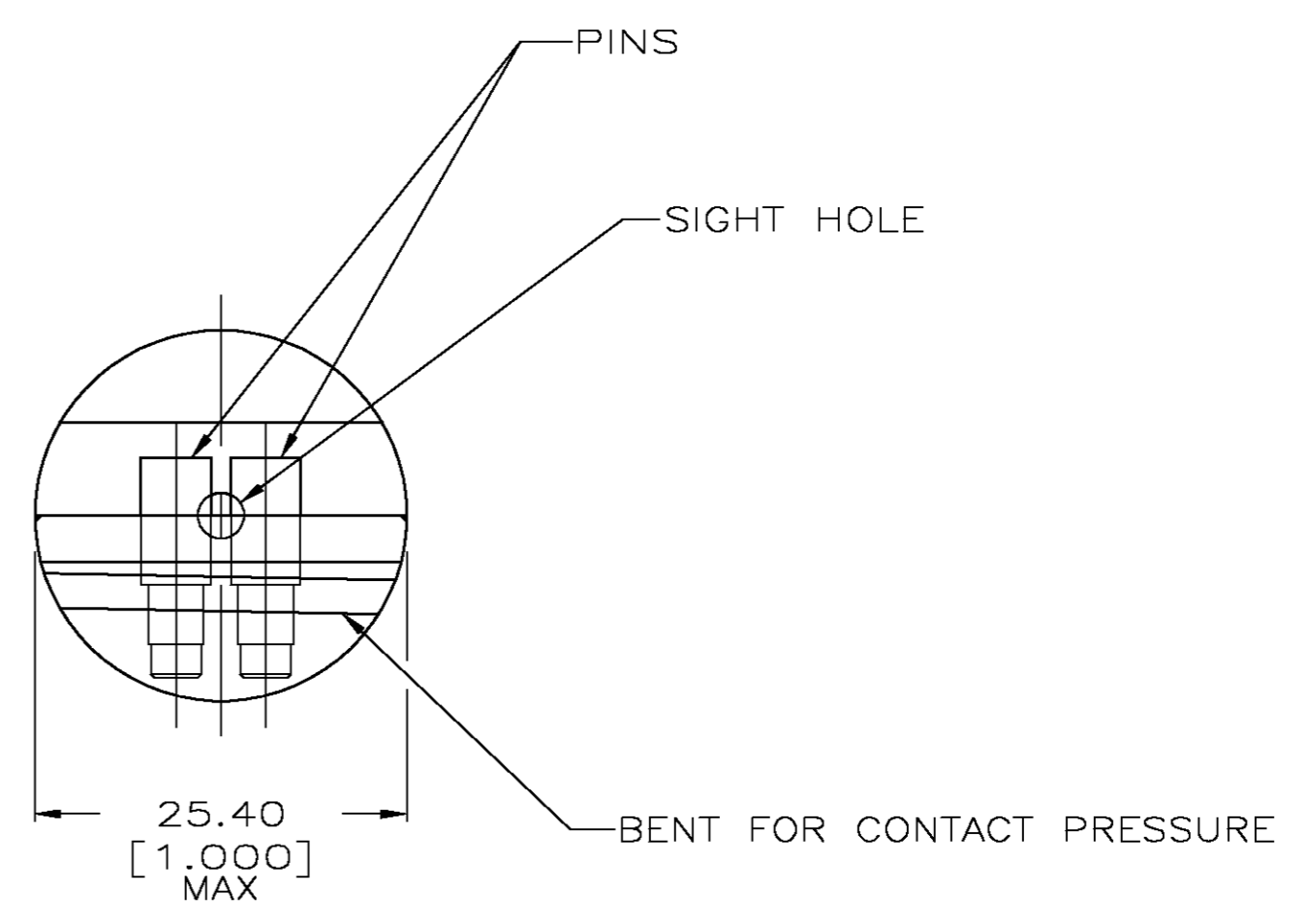
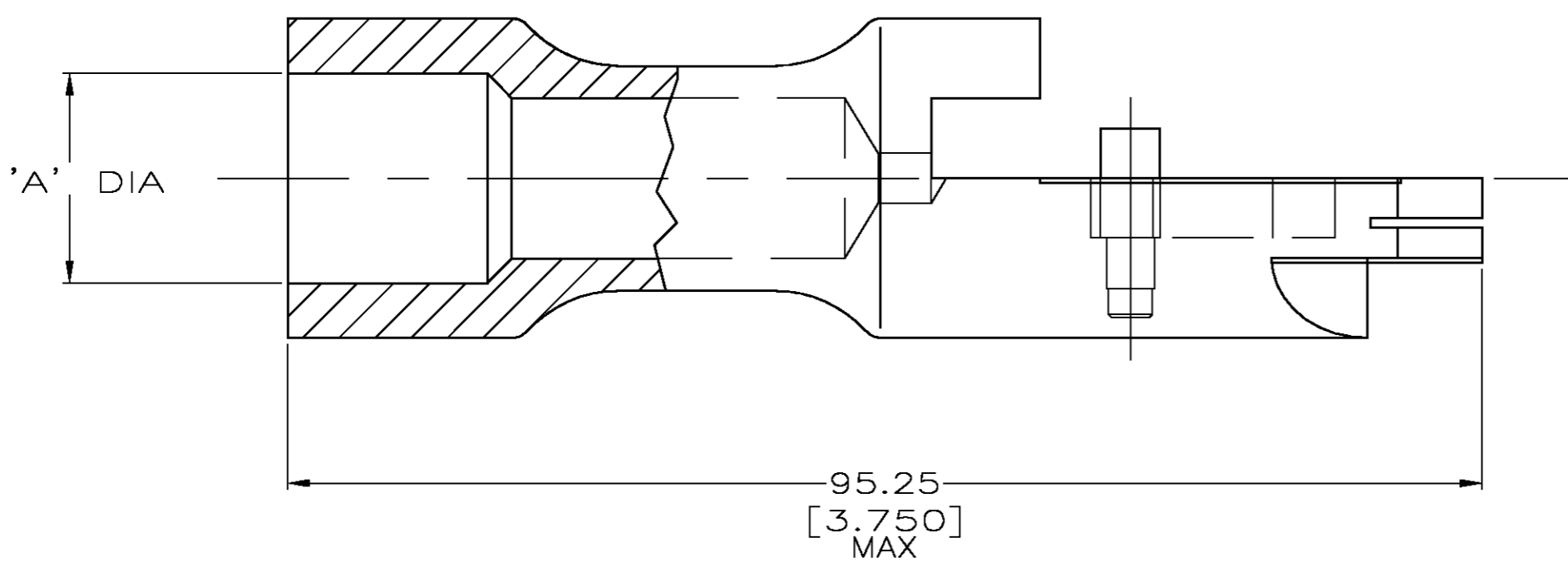
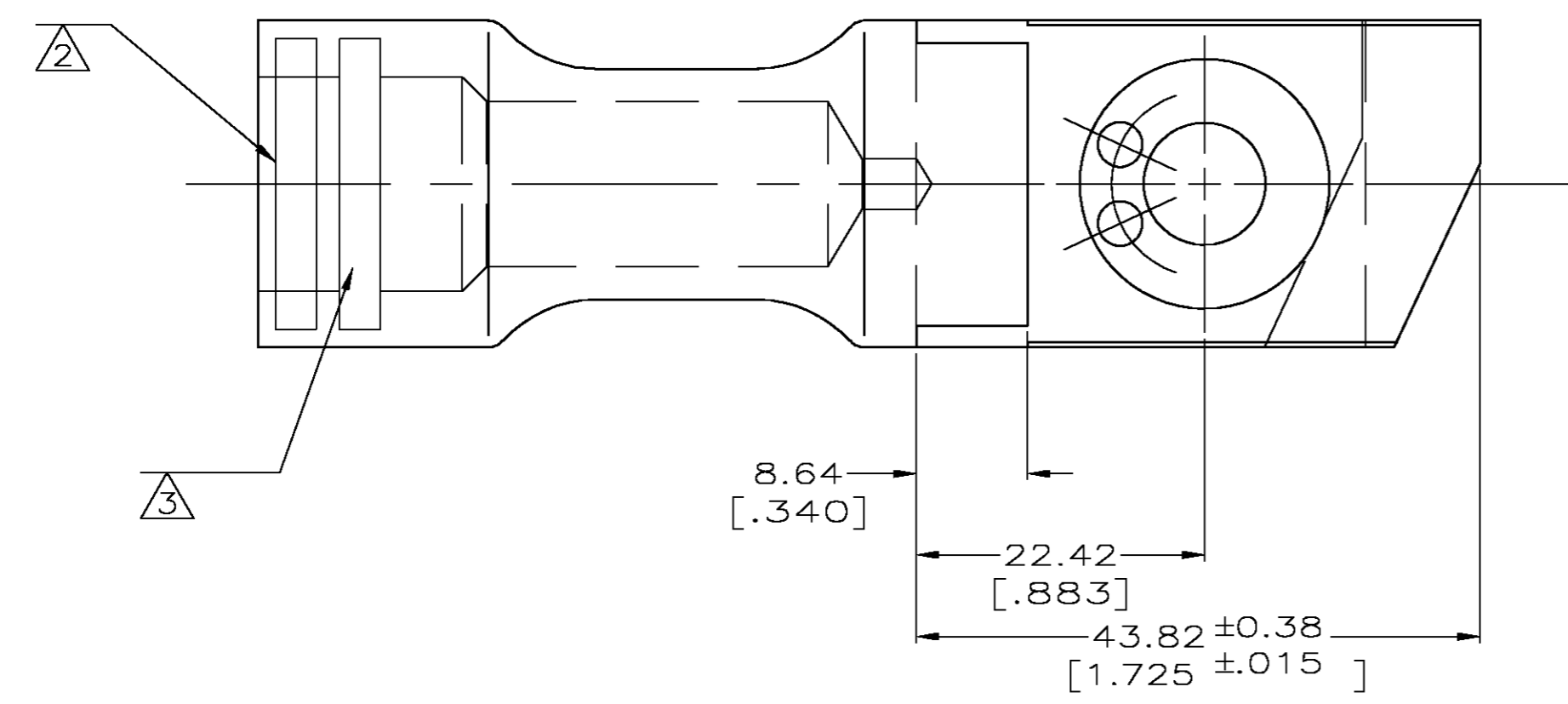


THIS DRAWING IS UNPUBLISHED. RELEASED FOR PUBLICATION
 © COPYRIGHT BY TYCO ELECTRONICS CORPORATION. ALL RIGHTS RESERVED.

LOC		DIST		REVISIONS			
P	LTR	DESCRIPTION		DATE	DWN	APVD	
G	86	F		REV PER 0G3A-0604-04	29JUL04	JR	MS

- △1 SPECIAL WIRE SIZE 2/0.
- △2 STAMPING, SEE CHART
- △3 STAMPING, SEE CHART
- △4 FINISH: MIN SILVER PLATE PER QQ-S-365, SEE CHART FOR THK.
- △5 MATERIAL: BODY AND PINS, BRASS PER QQ-B-626
- △6 PRELIMINARY - NOT FOR PRODUCTION



OBSOLETE

⑦7077D80G15	3/0 A33	18.41 [.725]	0.0076 [.0003]	△6 52596-9
⑦7077D80G14	2/0S A33	17.48 [.688]	0.0076 [.0003]	△6 52596-8 △1
⑦7077D80G10	3/0 A33	20.62 [.812]	0.0076 [.0003]	52596-6
-	AMP 3/0	18.27 [.719]	0.0025 [.0001]	52596-5
-	AMP 3/0	20.62 [.812]	0.0025 [.0001]	52596-1
△3 STAMPING	△2	'A'	FINISH △4	AMP PART NUMBER

THIS DRAWING IS A CONTROLLED DOCUMENT.		DWN	JR RUTH	22JUL99	tyco Electronics	Tyco Electronics Corporation Harrisburg, Pa 17105-3608						
DIMENSIONS: mm [INCHES]		CHK	M SPICER	22JUL99		NAME TERMINAL ASSEMBLY, QUICK-DISCONNECT, AMPOWER						
TOLERANCES UNLESS OTHERWISE SPECIFIED:		APVD	M SPICER	22JUL99	PRODUCT SPEC 108-13014		SIZE	CAGE CODE	DRAWING NO	RESTRICTED TO		
0 PLC ± -		MATERIAL		FINISH	APPLICATION SPEC		A2	00779	C=52596	-		
1 PLC ± -		- △5		- △4	-		SCALE	2:1	SHEET	1 OF 1		
2 PLC ± 0.20[.008]		- △5		- △4	-		CUSTOMER DRAWING	SCALE	2:1	SHEET	1 OF 1	
3 PLC ± -		- △5		- △4	-		WEIGHT	- lbs	SCALE	2:1	SHEET	1 OF 1
4 PLC ± -		- △5		- △4	-		REV	F	SCALE	2:1	SHEET	1 OF 1
ANGLES ± -		- △5		- △4	-		REV	F	SCALE	2:1	SHEET	1 OF 1

X-ON Electronics

Largest Supplier of Electrical and Electronic Components

Click to view similar products for [Heavy Duty Power Connectors](#) category:

Click to view products by [TE Connectivity](#) manufacturer:

Other Similar products are found below :

[6646058-2](#) [6646137-1](#) [6646138-1](#) [6646940-1](#) [6651091-1](#) [6651525-1](#) [6651529-1](#) [696475-1](#) [702-32-01109](#) [73000005059](#) [73080254296](#)
[73080965046](#) [7310205040001](#) [765-15-0080A](#) [765-16-0080B](#) [765-18-0080D](#) [PS00/A0620/6300](#) [129-1J](#) [E6374G1](#) [157-43GW8](#) [MS3117-](#)
[14AC](#) [1643543-1](#) [1766966-1](#) [1791340000](#) [NLDFT-3-BL-L-S120-M40A](#) [NLDFT-N-W-L-C240-M40B](#) [1926015-1](#) [NLS-N-W-C240-M40B](#) [2-](#)
[1589900-8](#) [2199314-1](#) [KA8102](#) [9300480317](#) [294-0091-01100](#) [296-0040-01100](#) [1648582-1](#) [A32595-0049](#) [1766249-1](#) [1766280-1](#) [1766818-1](#)
[AN0264023](#) [279-0841-10100A](#) [30-9717](#) [RMSB4](#) [4729](#) [492H414-9-01](#) [BSB5](#) [419-2083-301](#) [LCDX4/0-14B-X](#) [075-8519-001](#) [078238-1613](#)