

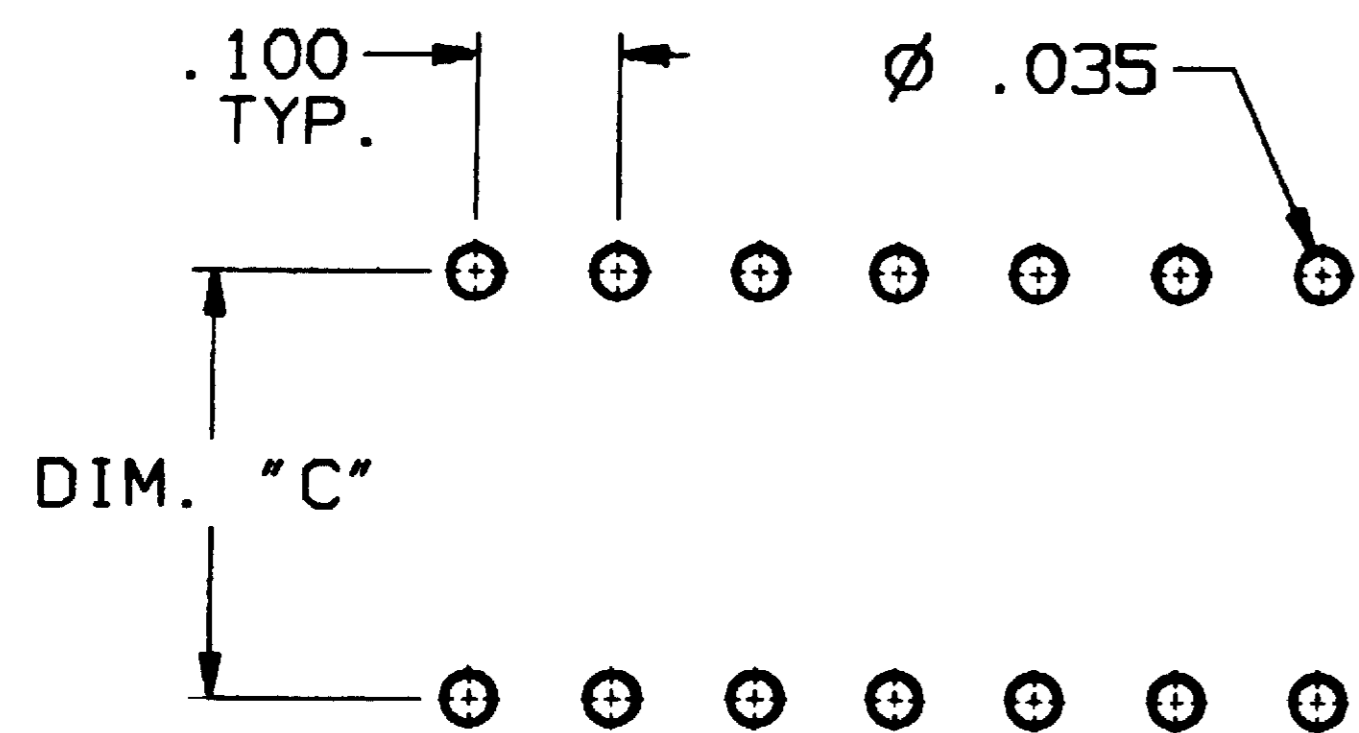
| CONVERSION CHART | |
|------------------|-------|
| INCH | MM |
| .002 | 0.05 |
| .005 | 0.13 |
| .010 | 0.25 |
| .020 | 0.51 |
| .035 | 0.89 |
| .100 | 2.54 |
| .125 | 3.18 |
| .135 | 3.43 |
| .180 | 4.57 |
| .180 | 4.57 |
| .150 | 3.82 |
| .300 | 7.62 |
| .400 | 10.16 |
| .600 | 15.24 |
| .700 | 17.78 |
| .800 | 20.32 |
| 1.000 | 25.40 |
| 1.200 | 30.48 |
| 1.400 | 35.56 |
| 1.800 | 45.72 |
| 2.000 | 50.8 |
| 2.100 | 53.34 |
| 2.400 | 60.96 |
| 3.200 | 81.28 |



FIG. 1



FIG. 2



P.C.B. HOLE LAYOUT

TOLERANCE ±.002

THIS IS A C.A.D. GENERATED DRAWING. DO NOT MAKE MANUAL REVISIONS TO MASTER.

| PART NUMBER | FIG. | DIM. "A" | DIM. "B" | DIM. "C" |
|---|------|----------|----------|----------|
| 514-AG10D-ES 514-AG11D-ES 514-AG11D-ESL | 1 | .700 | .400 | .300 |
| 516-AG10D-ES 516-AG11D-ES 516-AG11D-ESL | 1 | .800 | .400 | .300 |
| 520-AG10D-ES 520-AG11D-ES 520-AG11D-ESL | 1 | 1.000 | .400 | .300 |
| 524-AG10D-ES 524-AG11D-ES 524-AG11D-ESL | 2 | 1.200 | .700 | .600 |
| 528-AG10D-ES 528-AG11D-ES 528-AG11D-ESL | 2 | 1.400 | .700 | .600 |
| 532-AG10D-ES 532-AG11D-ES 532-AG11D-ESL | 2 | 1.600 | .700 | .600 |
| 540-AG10D-ES 540-AG11D-ES 540-AG11D-ESL | 2 | 2.000 | .700 | .600 |

SPECIFICATIONS:

MATERIALS:

INSULATOR: POLYESTER, UL RATED 94V-0.
CONTACT: COPPER ALLOY
SLEEVE: COPPER ALLOY.
PLATING: 10D-ES - CONTACT - GOLD OVER NICKEL.
SLEEVE - GOLD OVER NICKEL
11D-ES - CONTACT - GOLD OVER NICKEL.
SLEEVE - TIN/LEAD.
11D-ESL - CONTACT - LOW GOLD OVER NICKEL.
SLEEVE - TIN/LEAD.

ELECTRICAL:

CONTACT RESISTANCE: 10 MILLIOHMS MAX.
CONTACT RATING: 3 AMPS.
CAPACITANCE: 1.0 pF PER MIL-STD-202, METHOD 305.
INSULATION RESISTANCE: 5000 MΩ MIN. @ 500 VDC PER MIL-STD-1344, METHOD 3003.1.
DIELECTRIC WITHSTANDING VOLTAGE: 1000 VOLTS (RMS) PER MIL-STD-1344, METHOD 3001.1.

MECHANICAL:

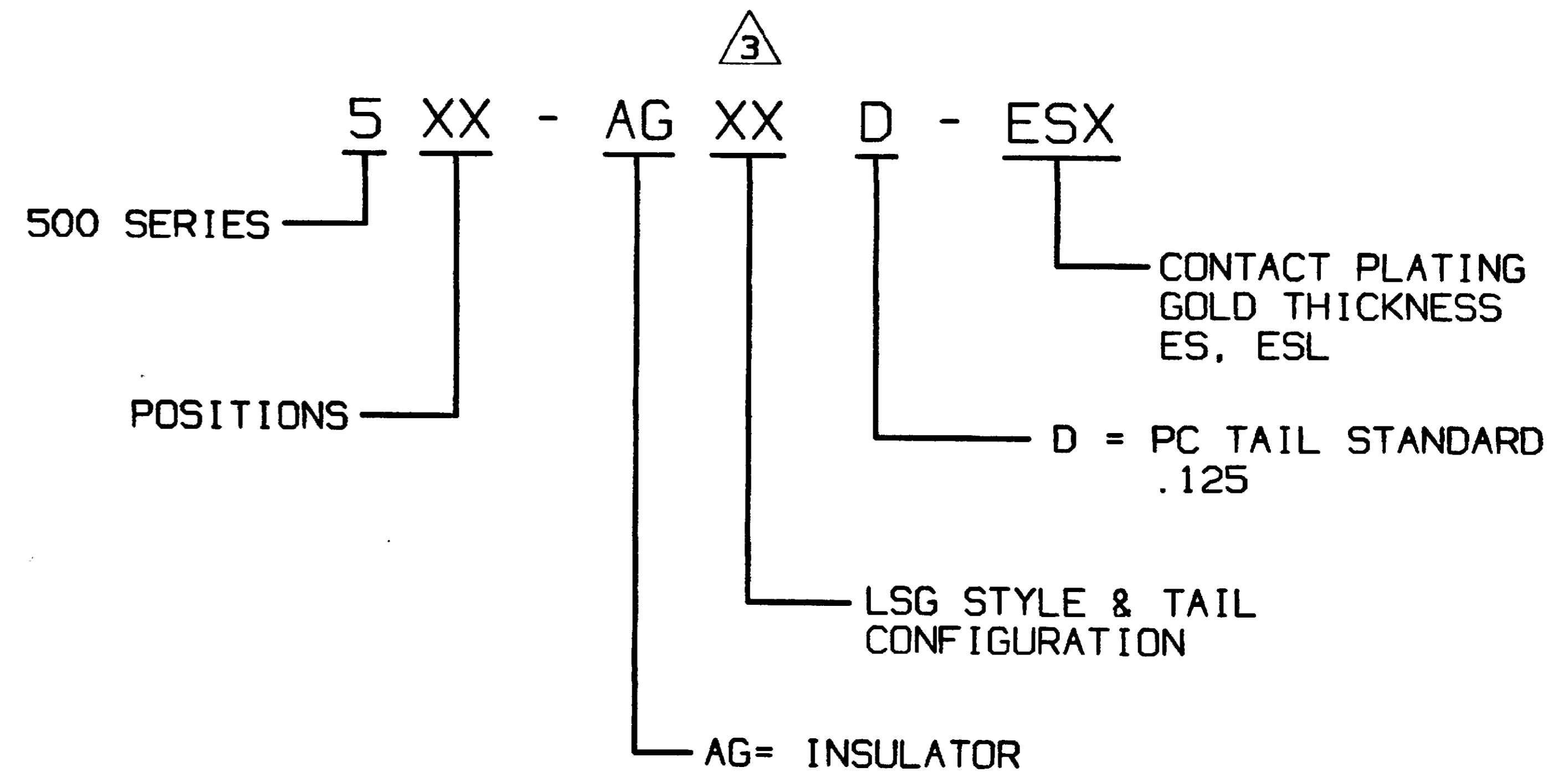
INSERTION FORCE: 179 GRAMS AVERAGE WHEN MEASURED WITH Ø .018 POLISHED STEEL PIN.
WITHDRAWAL FORCE: 63 GRAMS AVERAGE WHEN MEASURED WITH Ø .018 POLISHED STEEL PIN.

ENVIRONMENTAL:

OPERATING TEMPERATURE:
TIN/LEAD CONTACT: -63°F TO +221°F (-55°C TO +105°C).
GOLD CONTACT: -63°F TO +261°F (-55°C TO +125°C).

NOTES:

1. INTERPRET DRAWING PER ASME Y14.5M-1994.



OUTLINE DRAWING

SPECIFICATIONS ARE SUBJECT TO CHANGES WITHOUT NOTICE

| REV | REVISIONS |
|-----|---|
| 0 | INITIAL RELEASE ESR#6572 S.KIRCORIAN 5-31-95 APP'D: D.O'NEILL 6-2-95 |
| 1 | REVISED ECO#676-95 S.KIRCORIAN 9-25-95 APP'D: D.O. 9-26-95 |
| 2 | REVISED ECO# 473-96 L.S. 8-7-96 APP'D: D.O. 8-13-96 |
| 3 | REVISED ECO# 186-97 CAT 6-23-97 APP'D: D. O'NEILL 6/27/97 |

THIRD ANGLE PROJECTION

TOLERANCES (EXCEPT AS NOTED)
ANGULAR = ±1°
DECIMAL .XX = ±
DECIMAL .XXX = ±.010
DECIMAL .XXXX = ±

AUGAT CONFIDENTIAL
This document contains information which is the exclusive property of Augat Inc.
Distribution, reproduction or use by others is not permitted without the expressed written consent of Augat Inc.

UNLESS OTHERWISE SPECIFIED DIMENSIONS ARE IN INCHES DO NOT SCALE PRINT

FILE NAME: SXXADU1
MATERIAL: SEE SPECIFICATIONS
FINISH: SEE SPECIFICATIONS

ORIGINAL DATE OF DRAWING: 5-31-95

DRAWN: S.KIRCORIAN
DATE: 5-31-95

CHECKED: DATE:

APPROVED: D.O'NEILL
DATE: 6-2-95

CODE IDENT. NO. 91506
DWG. SIZE C

NEXT ASSY:

AUGAT INC. 452 JOHN DIETSCH BLVD. ATTLEBORO FALLS, MASS. 02763

TITLE: OUTLINE DRAWING
500 SERIES

DWG. NO. 5XX-AGXXD-ES, ESL-SD
REV. 3

SCALE: SHEET 1 OF 1

X-ON Electronics

Largest Supplier of Electrical and Electronic Components

Click to view similar products for [IC & Component Sockets](#) category:

Click to view products by [TE Connectivity](#) manufacturer:

Other Similar products are found below :

[0066-3-17-15-30-14-02-0](#) [670](#) [672](#) [673](#) [694-13-640-00-672-000](#) [712-93-120-41-001000](#) [714-93-104-31-018000](#) [8059-4G1-LF](#) [807-22-001-10-001101](#) [807-22-001-10-006101](#) [807-22-001-30-011101](#) [807-22-001-30-012101](#) [807-22-001-30-013101](#) [807-22-001-30-014101](#) [8-1437531-4](#) [8150-6P10](#) [833-93-034-10-001000](#) [851-41-006-10-001000](#) [851-43-008-20-001000](#) [851-43-014-20-001000](#) [851-93-006-20-001000](#) [851-93-010-20-001000](#) [853-43-020-10-001000](#) [86.010.0053.0](#) [116-43-308-41-007000](#) [PX-68LCC](#) [121-13-318-41-001000](#) [121-13-320-41-001000](#) [121-13-308-41-001000](#) [123-43-314-41-801000](#) [123-43-420-41-001000](#) [122-13-316-41-001000](#) [123-13-624-41-001000](#) [123-43-306-41-001000](#) [12-3513-11](#) [123-91-320-41-001000](#) [126-43-310-41-002000](#) [AKSUN 37V-T](#) [1437503-9](#) [1437504-1](#) [146-44-308-41-013000](#) [146-43-308-41-012000](#) [160-10-308-00-001000](#) [160-40-320-00-001000](#) [214-99-306-01-670800](#) [232-1270-02-0602](#) [2-382761-4](#) [2-5331677-4](#) [2-640360-3](#) [2801-2-00-50-00-00-07-0](#)