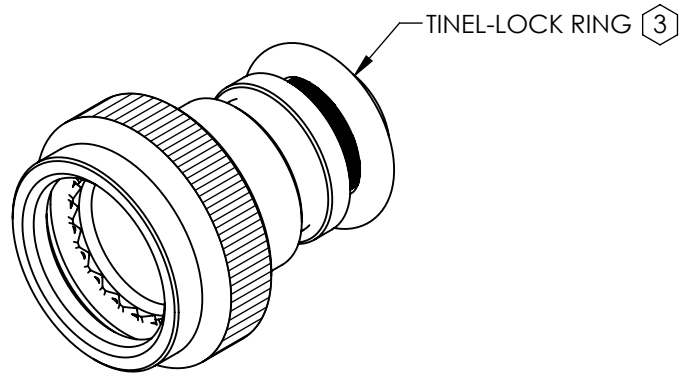


REVISIONS				
REV	DESCRIPTION	DATE	DWN	APVD
AA	ECR 7492	22/01/2020	N.H	R.S
AB	ECR 7952	14/09/2020	KKW	R.S



### TXR41AB00-1608AI-

SERIES \_\_\_\_\_  
 TXR - RING INCLUDED  
 (SEE RING OPTION)  
 TX - RING NOT INCLUDED  
 CONNECTOR INTERFACE \_\_\_\_\_  
 MATERIAL \_\_\_\_\_  
 FINISH \_\_\_\_\_  
 ANGLE \_\_\_\_\_  
 SHELL SIZE (TABLE 1) \_\_\_\_\_  
 ODD NUMBERS - MIL-DTL-38999 SERIES I  
 EVEN NUMBERS - MIL-DTL-38999 SERIES II  
 ENTRY SIZE (TABLE 2) \_\_\_\_\_  
 RING OPTION \_\_\_\_\_  
 AI - TO SUIT SINGLE BRAID  
 BI - TO SUIT DOUBLE BRAID  
 FOR TX, LEAVE BLANK  
 MODIFICATION CODE \_\_\_\_\_  
 REFER TO CH00-0250-008

**NOTES:**


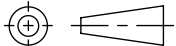
- THIS PRODUCT IS DESIGNED TO TERMINATE A BRAIDED CABLE SHIELD AND A HEAT SHRINKABLE LIPPED BOOT TO A CONNECTOR.
- FOR ADDITIONAL DIMENSIONS, ORDERING INFORMATION AND MODIFICATIONS, SEE CH00-0250-008.
- SEE DRAWING TR FOR DETAIL ON TINEL-LOCK RING, RINGS ARE DESIGNED TO BE HEATED ELECTRICALLY, ALL RINGS ARE MARKED WITH THERMOCHROMIC PAINT WHICH CHANGES COLOUR WHEN INSTALLATION TEMPERATURE IS REACHED.
- BACKSHELL TO BE PERMANENTLY MARKED/BAGGED AND LABELLED WITH CODE IDENTIFICATION NUMBER AND PART NUMBER LESS RING DESIGNATOR. (e.g. 06090-TXR41AB00-1206). RING SHALL BEAR NO MARKING.
- FOR LARGER ENTRY SIZES, A 2 PIECE BACKSHELL ASSEMBLY (TYPE 2) IS SUPPLIED.
- BACKSHELL MATES TO MIL-DTL-38999 SERIES I AND II - CLASS E AND T, MS27466, MS27467, MS27468, MS27472, MS27473, MS27474, MS27479, MS27480, MS27481, MS27484, MS27497, MS27652, MS27653, MS27656 CONNECTORS.

RELEASED FOR PUBLICATION

ALL RIGHTS RESERVED.

THIS DRAWING IS UNPUBLISHED.

BY COPYRIGHT 20

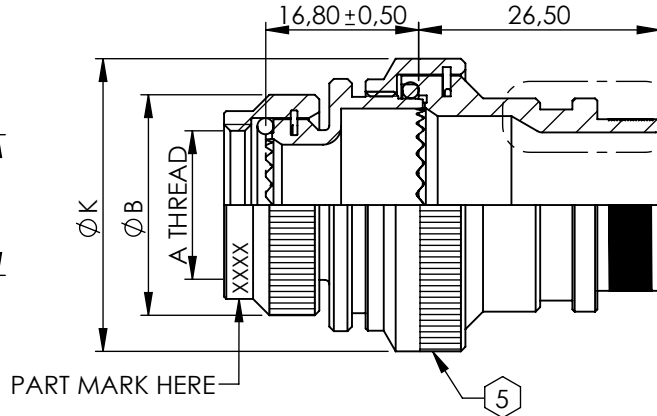
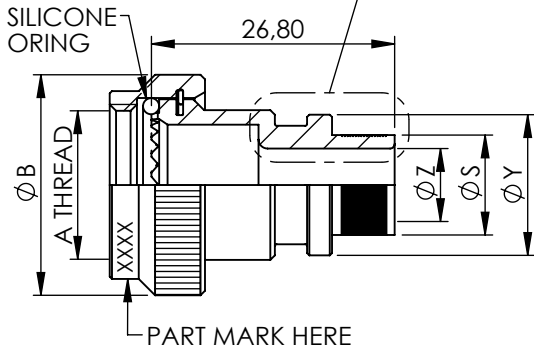
DIMENSIONS: <b>MILLIMETERS</b>	DWN: N.HAWKINS	22/01/2020	MATERIAL: SEE P/N BREAKDOWN	FINISH: SEE P/N BREAKDOWN
	CHK: R.STYLES	24/01/2020	 <b>TE Connectivity</b>	
TOLERANCES UNLESS OTHERWISE SPECIFIED:	APVD: M.PAUL	24/01/2020		
GENERAL TOL LINEAR $\pm 0.25$ MM ANGULAR $\pm 1^\circ$	PRODUCT SPEC:	MIL-DTL-38999 SERIES I & II	NAME:	
	APPLICATION SPEC:	-	TINEL-LOCK BACKSHELL	
	WEIGHT:		SIZE	CAGE CODE
			A4	U5792
CUSTOMER DRAWING			DRAWING NO	RESTRICTED TO
			C=P31619	
			SCALE	SHEET
			1.5:1	1 OF 3
			REV	AB

REVISIONS

ALTERNATIVE PROFILE

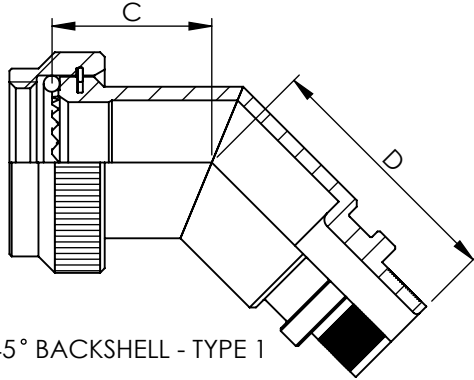
ALTERNATIVE PROFILE

IF MAX ENTRY IS EXCEEDED, BACKSHELL WILL BE SUPPLIED AS TYPE 2

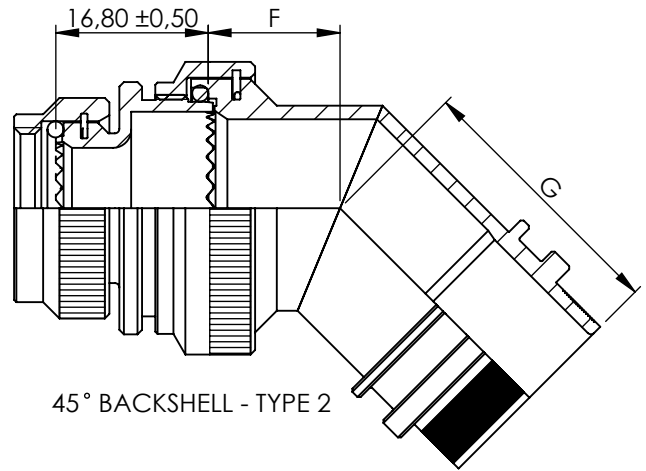


STRAIGHT BACKSHELL - TYPE 1

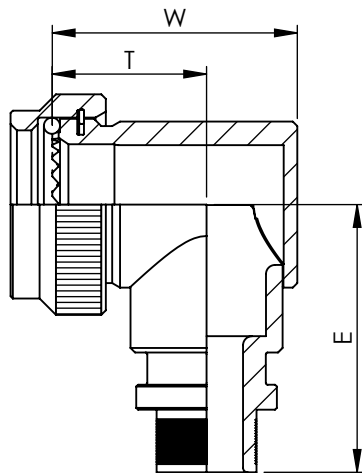
STRAIGHT BACKSHELL - TYPE 2



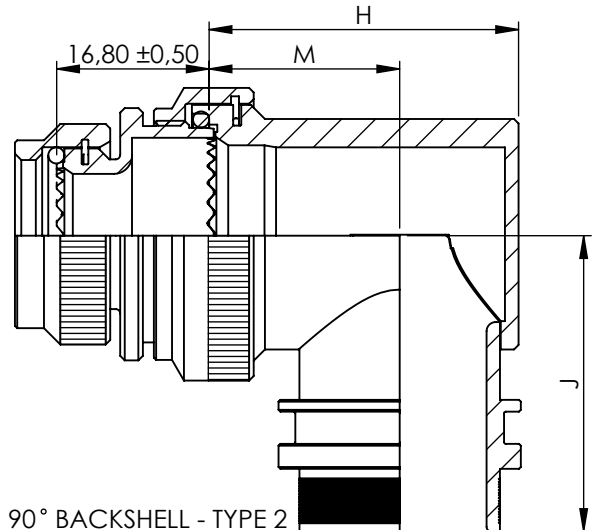
45° BACKSHELL - TYPE 1



45° BACKSHELL - TYPE 2



90° BACKSHELL - TYPE 1






90° BACKSHELL - TYPE 2

RELEASED FOR PUBLICATION

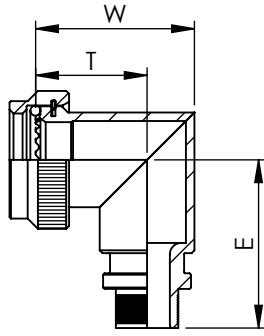
ALL RIGHTS RESERVED.

THIS DRAWING IS UNPUBLISHED.

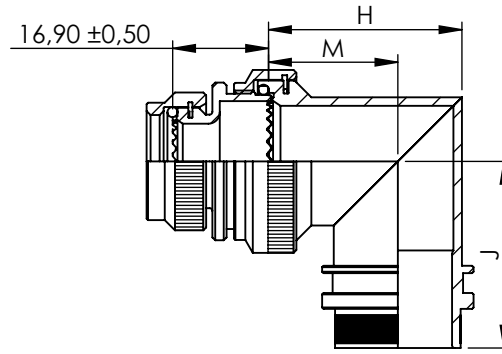
© COPYRIGHT 20 BY

DIMENSIONS: MILLIMETERS	DWN: N.HAWKINS	22/01/2020	MATERIAL: SEE P/N BREAKDOWN	FINISH: SEE P/N BREAKDOWN
	CHK: R.STYLES	24/01/2020	 TE Connectivity	
TOLERANCES UNLESS OTHERWISE SPECIFIED:	APVD: M.PAUL	24/01/2020		
GENERAL TOL LINEAR ±0.04" ANGULAR ±1°	PRODUCT SPEC:	MIL-DTL-38999 SERIES I & II	NAME:	
	APPLICATION SPEC:	-	TINEL-LOCK BACKSHELL	
 	WEIGHT:	Customer Drawing	SIZE	A4
			CAGE CODE	06090
			DRAWING NO	©-P31619
			RESTRICTED TO	
			SCALE	1.2:1
			SHEET	2 OF 3
			REV	AB

REVISIONS



90° BACKSHELL - TYPE 1  
STAINLESS STEEL AND  
NICKEL ALUMINIUM BRONZE



90° BACKSHELL - TYPE 2  
STAINLESS STEEL AND  
NICKEL ALUMINIUM BRONZE

TABLE 1

SHELL SIZE SERIES II	SHELL SIZE SERIES I	A THREAD	ØB MAX	MAX ENTRY	C ±0,5	D ±0,5	W ±0,5	T ±0,5	E ±0,5	THESE DIMENSIONS APPLY IF BACKSHELL IS STAINLESS STEEL OR NICKEL ALUMINIUM BRONZE		
										W ±0,5	T ±0,5	E ±0,5
08	09	7/16-28UNEF	18,3	04	16,4	26,8	21,0	14,0	26,20	21,3	16,4	26,4
10												
12	13	11/16-24UNEF	24,5	08	17,6	28,0	27,0	17,0	29,45	28,4	19,5	29,7
14												
16	17	15/16-20UNEF	30,8	12	19,2	29,7	34,0	21,0	32,70	34,3	22,8	32,9
18												
20	21	1 3/16-18UNEF	37,3	16	20,4	30,9	38,0	21,5	35,80	40,8	26,1	36,1
22												
24	25	1 7/16 -18UNEF	43,7	20	21,7	32,1	45,0	25,5	38,90	46,5	29,1	39,1
22												

TABLE 2

ENTRY SIZE	ØZ MIN	ØS	ØY Ø0,3	ØK MAX	F ±0,5	G ±0,5	H ±0,5	M ±0,5	J ±0,5	THESE DIMENSIONS APPLY IF BACKSHELL IS STAINLESS STEEL OR NICKEL ALUMINIUM BRONZE		
										H ±0,5	M ±0,5	J ±0,5
04	6,35	9,49 +/-0,04	14,0	NA	NA	NA	NA	NA	NA	NA	NA	NA
05	7,92	11,06 +/-0,04	15,5	21,0	12,5	27,5	24,0	15,5	27,95	24,3	17,2	28,2
06	9,53	12,66 +/-0,04	17,1	21,0	12,5	27,5	24,0	15,5	27,95	24,3	17,2	28,2
07	11,10	14,21 +/-0,07	18,7	21,0	12,5	27,5	24,0	15,5	27,95	24,3	17,2	28,2
08	12,70	15,81 +/-0,07	20,3	24,5	13,1	28,0	27,0	17,0	29,45	28,3	19,4	29,7
10	15,88	18,96 +/-0,08	23,5	29,0	13,5	29,0	31,0	19,5	31,00	31,1	21,0	31,2
12	19,05	22,14 +/-0,08	26,7	32,5	14,5	29,7	34,0	21,0	32,70	34,2	22,8	32,9
14	22,23	25,30 +/-0,08	29,8	35,5	15,5	30,5	35,0	20,0	34,25	38,5	25,3	34,5
16	25,40	28,48 +/-0,08	33,0	37,0	16,1	30,9	38,0	21,5	35,80	40,7	26,1	36,1
18	28,58	31,65 +/-0,08	36,2	40,0	16,5	31,1	42,0	24,0	37,40	43,7	27,6	37,6
20	31,75	34,83 +/-0,08	39,4	43,5	17,0	32,1	45,0	25,5	38,90	46,4	29,1	39,1
22	34,93	37,98 +/-0,08	42,5	48,5	18,5	35,3	54,5	31,0	42,00	50,0	31,0	42,0
24	38,10	41,15 +/-0,08	45,7	52,1	21,9	38,1	58,0	33,0	46,00	53,5	33,0	46,0

RELEASED FOR PUBLICATION

ALL RIGHTS RESERVED.

THIS DRAWING IS UNPUBLISHED.

BY COPYRIGHT 20

DIMENSIONS:  
MILLIMETERS

DWN: N.HAWKINS 22/01/2020

MATERIAL: SEE P/N BREAKDOWN

FINISH: SEE P/N BREAKDOWN

TOLERANCES UNLESS OTHERWISE SPECIFIED:

CHK: R.STYLES 24/01/2020



APVD: M.PAUL 24/01/2020

PART NUMBER:

TXR41 SERIES

GENERAL TOL  
LINEAR ±0.04"  
ANGULAR ±1°

PRODUCT SPEC:  
MIL-DTL-38999  
SERIES I & II

NAME:

TINEL-LOCK BACKSHELL

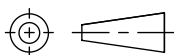
APPLICATION SPEC:

SIZE

CAGE CODE

DRAWING NO

RESTRICTED TO



WEIGHT:

A4

06090

©-P31619

Customer Drawing

SCALE

1:2:1

SHEET

3

REV

AB

## X-ON Electronics

Largest Supplier of Electrical and Electronic Components

*Click to view similar products for [Circular MIL Spec Strain Reliefs & Adapters](#) category:*

*Click to view products by [TE Connectivity](#) manufacturer:*

Other Similar products are found below :

[896227-000](#) [899170S004](#) [6000-063-0022](#) [613751-000](#) [CS6624-000](#) [620AB038Z136](#) [620AS001Z108](#) [620AS038Z112](#) [620AS038Z120](#)  
[620AS038Z132](#) [620FB038NF08](#) [620HA038NF13](#) [620HA038NF25](#) [620HA042XM13](#) [620HB049NF17](#) [620HS011NF21](#) [620HS038NF11](#)  
[620HS038Z121](#) [620HS042XM19](#) [620HS042XM25](#) [620HS042XW13](#) [620HS048B17](#) [620MS064NF09](#) [620MS064NF12](#) [620MS065M12](#)  
[620MS065Z107](#) [620MS065ZNU06](#) [630J041M06H](#) [630J041M20H](#) [640830-000](#) [659943-000](#) [CW0597-000](#) [CW0598-000](#) [CW0948-000](#)  
[CY0122-000](#) [M85049/41-6A W/B](#) [M85049/42-12DS](#) [M85049/47N8](#) [M85049/47W18](#) [M85049/51-1-14S](#) [M85049/51-1-8W](#) [M85049/60-](#)  
[1N16](#) [M85049/60-2G12W](#) [M85049/69-11N](#) [CZ3661-000](#) [D02922-000](#) [70.360.1628.0](#) [703797-000](#) [D38999/20FJ24SC L/C](#) [705825-000](#)