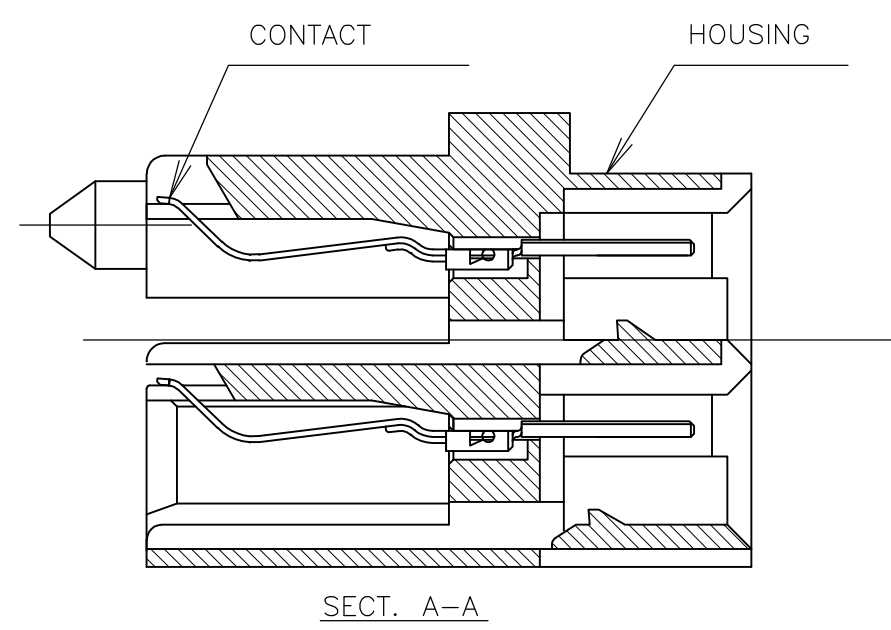
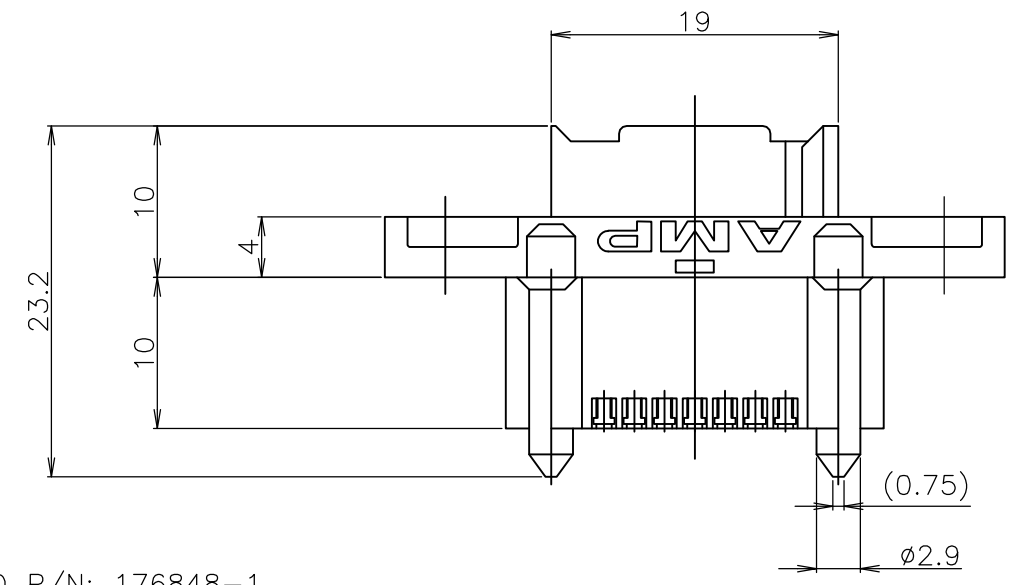
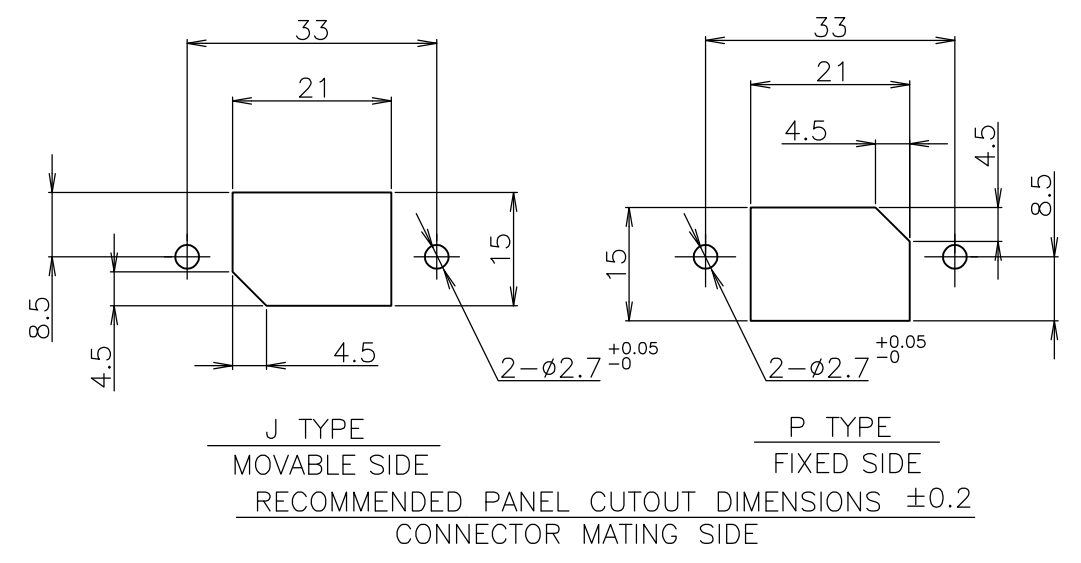
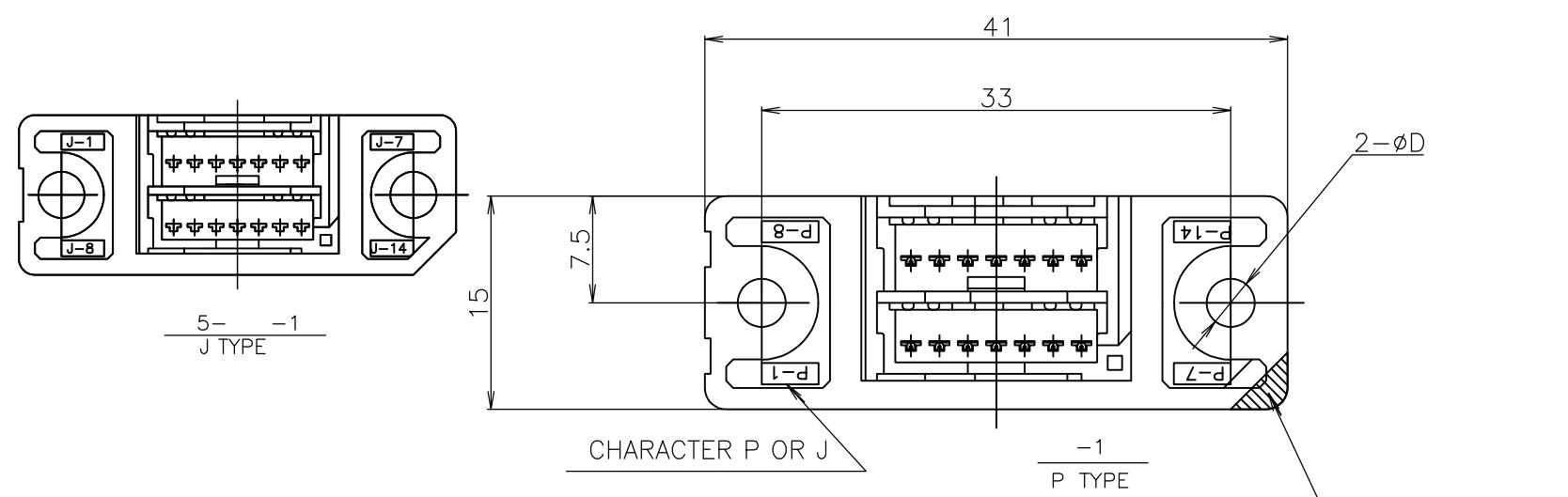
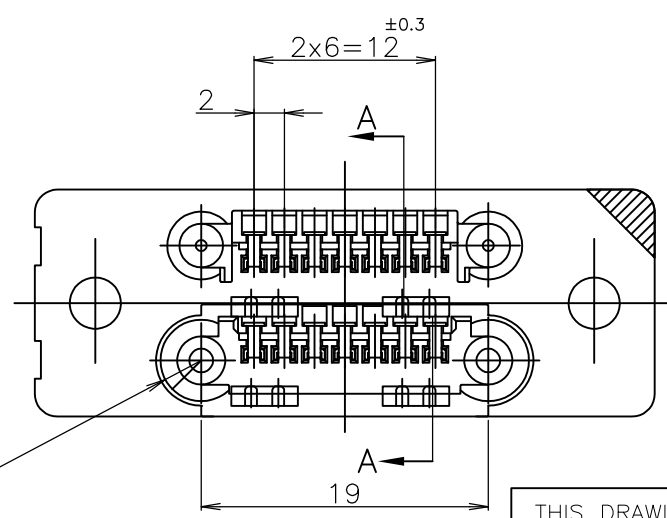


THIS DRAWING IS UNPUBLISHED. RELEASED FOR PUBLICATION
 © COPYRIGHT - By - ALL RIGHTS RESERVED.

LOC	DIST	REVISIONS					
ES	00	P	LTR	DESCRIPTION	DATE	DWN	APVD
		A1		REVISED PER ECO-11-005033	28MAR11	RK	HMR



- NOTES:
- 1 APPLIED USE THRED P/N: 176848-1
 - 2 PRODUCT SPEC.: 108-60021
 - 3 MATERIAL:
HOUSING: THERMOPLASTIC
UL94V-0(COLOR: SEE TABLE)
CONTACT: COPPER ALLOY
 - 4 FINISH:
CONTACT: NICKEL PL. ALL OVER
CONTACT AREA: GOLD PL.
POST AREA: MATTE TIN PL.
 - 5 THIS FLOATING ALLOWANCE
USED TAPPING SCREW P/N: 176848-1



GRAY	LONGITUDINAL	0.6	CUT	4.4	↑	6-	↑	-1
GRAY	LATERAL	1.0	CUT	4.4	J	5-		-1
BLACK	LONGITUDINAL	0.6	-#	3.4	↑	1-		-1
BLACK	LATERAL	1.0	-#	3.4	P			292177-1
HOUSING COLOR	5	FLOATING ALLOWANCE	CORNER CUT	øD	TYPE	P/N		

TOLERANCE	
10 ≥ *	: ±0.2
30 ≥ * > 10	: ±0.25
100 ≥ * > 30	: ±0.3
ANGLE	: ±3°

THIS DRAWING IS A CONTROLLED DOCUMENT.

DWN	J. JIANG	05FEB03	 TE Connectivity
CHK	S. YAO	05FEB03	
APVD	T. SASAKI	05FEB03	
PRODUCT SPEC			
APPLICATION SPEC	NAME		
WEIGHT	SIZE		
CUSTOMER DRAWING	A3	00779	C-292177
	SCALE	NTS	SHEET 1 OF 1
			REV A1

X-ON Electronics

Largest Supplier of Electrical and Electronic Components

Click to view similar products for [Headers & Wire Housings](#) category:

Click to view products by [TE Connectivity](#) manufacturer:

Other Similar products are found below :

[892-18-020-10-001101](#) [58102-G61-06LF](#) [582553-1](#) [0009485154](#) [009176003701906](#) [0050291907](#) [LY20-4P-DT1-P1E-BR](#) [02.125.8002.8](#)
[609-3404](#) [61062-3](#) [61082-181009](#) [622-3653LF](#) [63453-116](#) [636-1030](#) [636-1427](#) [636-3427](#) [636-4007](#) [641938-9](#) [641991-4](#) [644827-2](#) [65817-010LF](#) [65817-015LF](#) [65863-015LF](#) [66207-023LF](#) [67095-007LF](#) [67601157](#) [68645-018](#) [68648-049](#) [70.362.1628.0](#) [70-4210](#) [70-4226B](#) [70-4853B](#) [707-5020](#) [707-5028](#) [71.350.2428.0](#) [71918-208LF](#) [71961-016LF](#) [733-134](#) [733-162](#) [754199-000](#) [760-3052](#) [787-8014-00](#) [79531-3000](#)
[FCN-360C032-B](#) [FCN-367T-T012/H](#) [FCN-723D010/2](#) [80.063.4001.1](#) [800-90-001-10-001000](#) [800-90-010-10-002000](#) [801-43-002-10-013000](#)