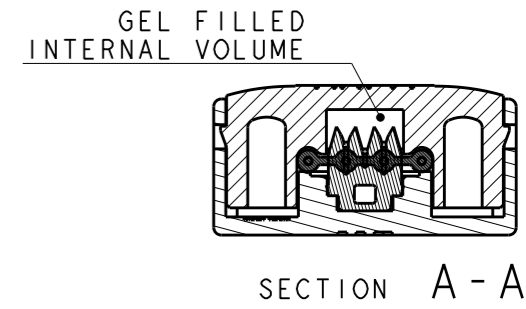
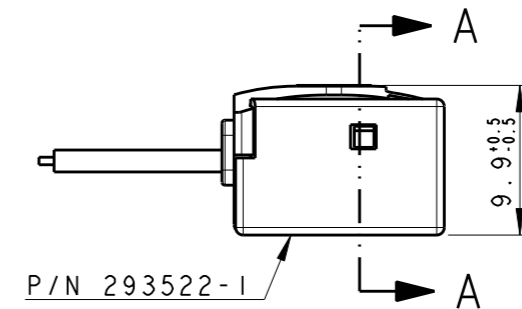
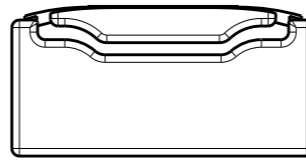
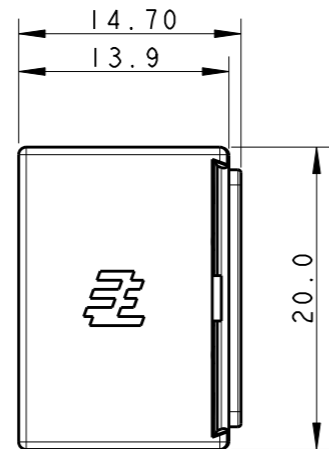
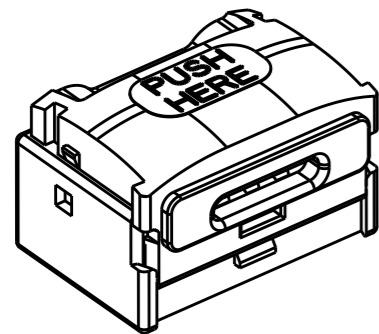
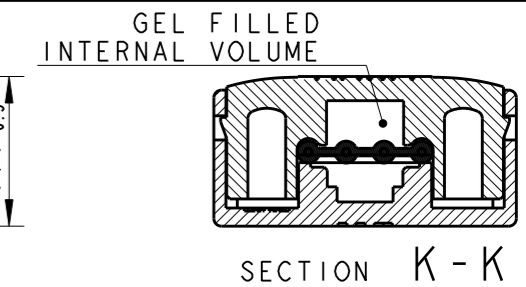
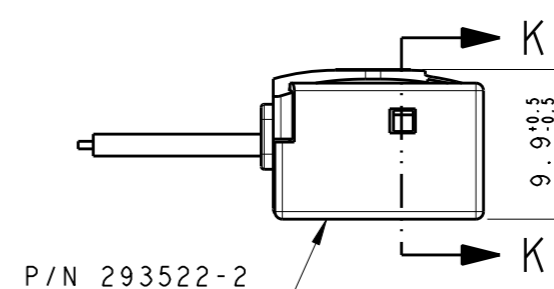
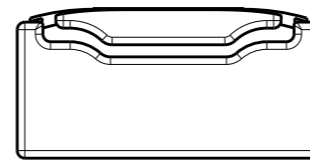
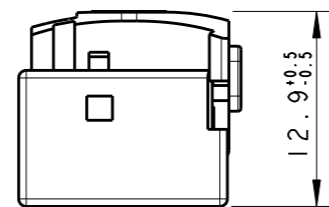
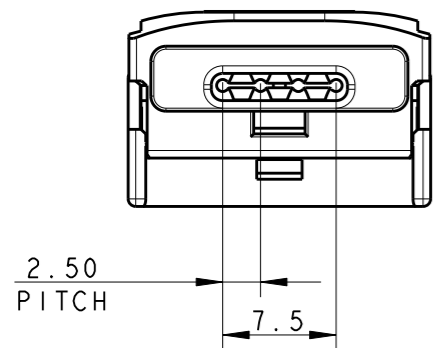
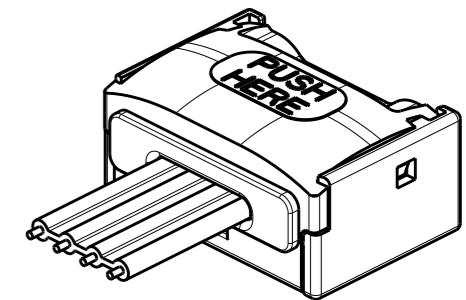
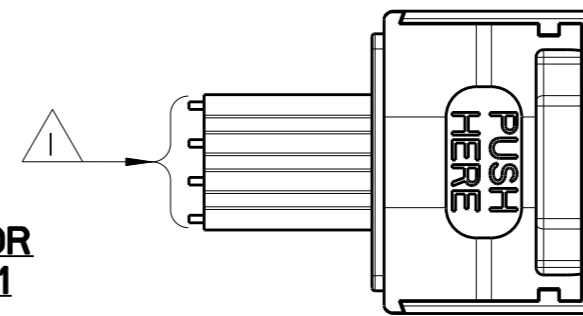


LOC	DIST	P	LTR	DESCRIPTION	DATE	DWN	APVD
-	-	A		REVISED PER ECR-10-014988	27JUL2010	HMR	PP

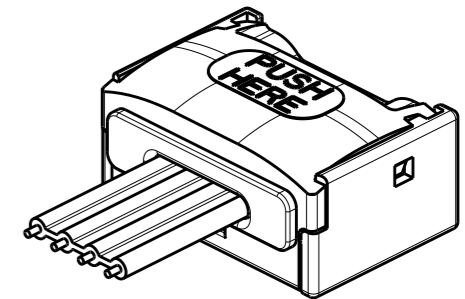
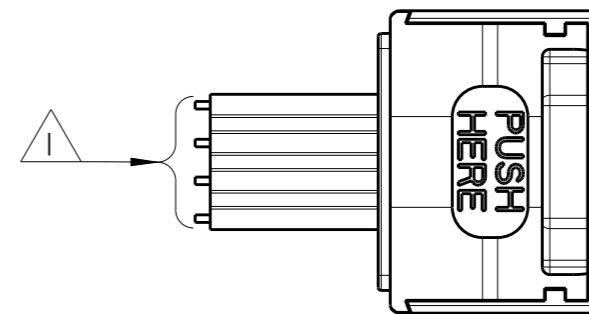
PART NUMBER	BRIDGE	COLOR
0-293522-1	YES	TRANSP LIGHT BLUE
5-293522-1	YES	TRANSP LIGHT BLUE
0-293522-2	NO	TRANSP LIGHT GREEN
5-293522-2	NO	TRANSP LIGHT GREEN



**APPLICATION FOR
P/N X-293522-1**



**APPLICATION FOR
P/N X-293522-2**



1 **RIBBON CABLE, 4 WIRES**
 PITCH 2.50±0.10mm, MAX WIDTH: 8.7mm
 AWG26/7 (FUSED TINNED STRANDS)
 OR AWG24/7 (FUSED AND NON FUSED TINNED STRANDS);
 INSULATION MATERIAL: PVC.

2 **CONNECTOR TERMINATIONS ACHIEVED BY ALLIGATOR PLIERS.**
 APPLICATION ACCORDING TE APPLICATION SPEC 114-19131

<small>THIS DRAWING IS A CONTROLLED DOCUMENT FOR TYCO ELECTRONICS CORPORATION IT IS SUBJECT TO CHANGE AND THE CONTROLLING ENGINEERING ORGANIZATION SHOULD BE CONTACTED FOR THE LATEST REVISION.</small>		DWN 29APR2009 Erik Derks CHK 29APR2009 Erik Derks APVD 22jun09 GTu		Tyco Electronics AMP Italia S.r.l. C.so F.lli Cervi, 15 - Collegno (TO)	
DIMENSIONS: mm		TOLERANCES UNLESS OTHERWISE SPECIFIED: 0 PLC ±0.5 1 PLC ±0.3 2 PLC ±0.1 3 PLC ± 4 PLC ± ANGLES ±1		NAME 4 POS. SEALED CONNECTOR FOR LED LIGHTING APPLICATION	
		MATERIAL PC UNFILLED TRANSPARENT COLOURS ACC. TO UL94-V0 (3mm)		FINISH -	
CUSTOMER DRAWING		WEIGHT -		SIZE A3 CAGE CODE 00779 DRAWING NO C-293522 RESTRICTED TO -	
		SCALE 2:1		SHEET 1 OF 1 REV A	

X-ON Electronics

Largest Supplier of Electrical and Electronic Components

Click to view similar products for [Lighting Connectors](#) category:

Click to view products by [TE Connectivity](#) manufacturer:

Other Similar products are found below :

[293300-7](#) [293660-5](#) [CNX_H03_NTP](#) [30-9767-BU](#) [3605](#) [3-21030-1](#) [ZCH-110-RGB-I](#) [503471-0290](#) [ZCH-110-RGB-J](#) [217-0716-200](#)
[1954563-1](#) [1-293657-2](#) [2834036-1](#) [2834037-1](#) [1-2213222-4](#) [2-2213222-4](#) [2213222-4](#) [2834122-3](#) [2834122-5](#) [2834135-2](#) [FLA-R4142-30](#)
[FLA-R4162-30](#) [FLA-R2142-30](#) [FLA-R2141-30](#) [FLA-R2162-30](#) [FLA-R2161-30](#) [FLA-R0161-30](#) [FLA-R0141-30](#) [FLA-R0162-30](#) [FLA-C00-](#)
[00](#) [DGA00010553](#) [CNXV04NTP](#) [104128-0610](#) [503485-0000 \(Cut Strip\)](#) [503485-0000 \(Loose Piece\)](#) [503485-0000 \(MINI Reel\)](#) [1-2834074-2](#)
[1-2834074-3](#) [1357-AC PLUG W2C \(CHINA\)](#) [1357-AC PLUG W2 \(USA\)](#) [104266-0110](#) [CNXV02NTP](#) [2106212-1](#) [2-2834074-2](#) [104266-](#)
[0210](#) [293470-1](#) [293651-2](#) [293651-4](#) [1-2834006-2](#) [293651-1](#)