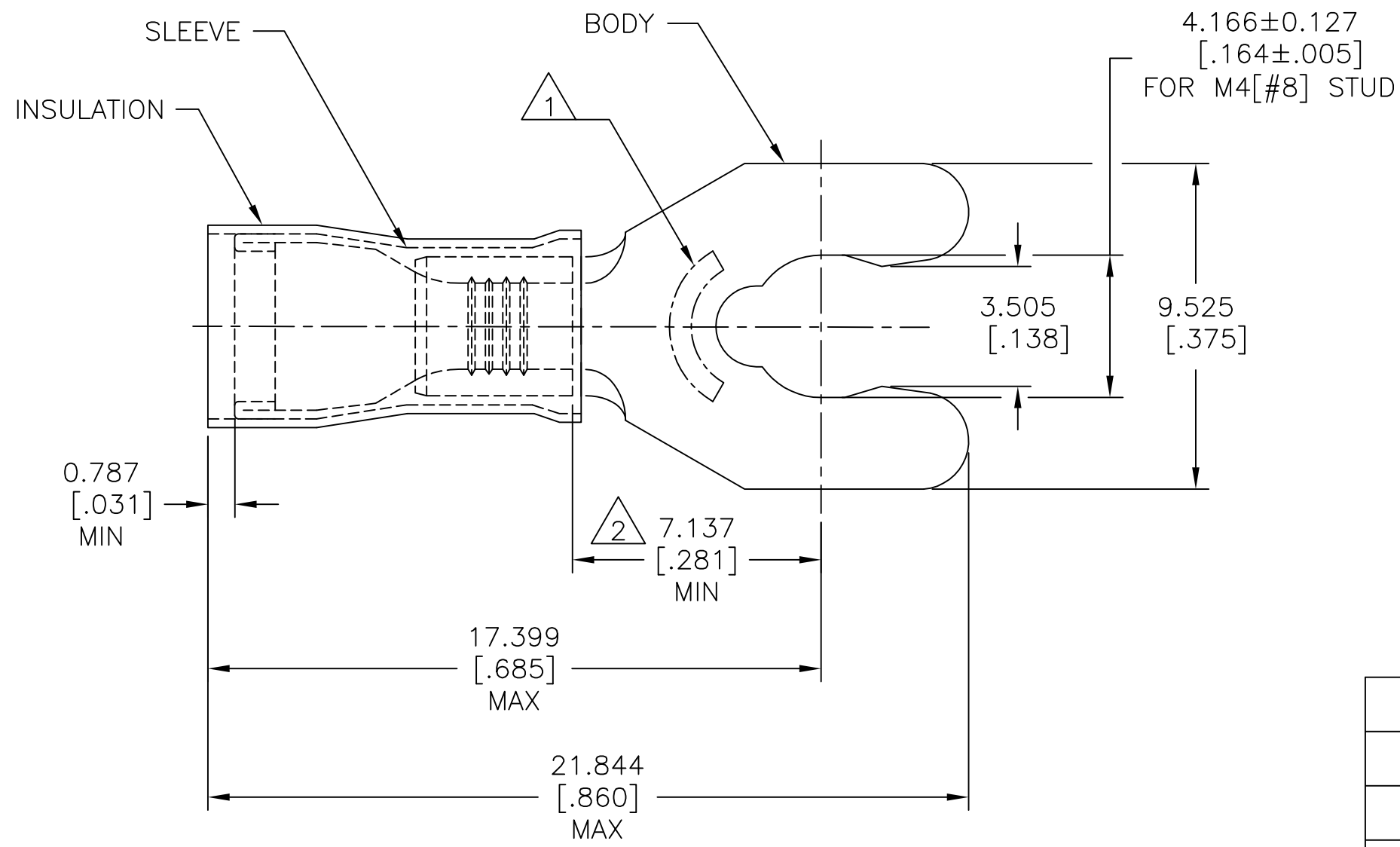


REVISIONS					
P	LTR	DESCRIPTION	DATE	DWN	APVD
	K2	REVISED PER ECO-11-004587	11MAR11	RK	HMR
	K3	REVISED PER ECO-17-010308	25OCT2017	RS	DR



- 1 STAMP 8S AMP 16-14*, APPROX AS SHOWN.
- 2 APPLIES FROM EDGE OF METAL WIRE BARREL TO CENTER OF STUD HOLE.
- 3 BODY MATERIAL THK IS 0.787±0.051 [.031±.002]
- 4 BODY - PHOS BRONZE PER ASTM B-103
SLEEVE - COPPER PER ASTM B-152
INSULATION - NYLON.
- 5 BODY - TIN PLATE PER ASTM B545
SLEEVE - TIN PLATE PER ASTM B545
INSULATION - COLOR - BLUE.

AMP WIRE RANGE	UL Listed FILE E13288	SR LR7189 Certified
16-14 AWG SOLID OR STRANDED	16-14 AWG SOLID OR STRANDED	16-14 AWG SOLID OR STRANDED

WIRE INSULATION OD	QTY	PACKAGE TYPE	PART NO
.115-.170	100	LOOSE PIECE, BOX	8-52936-1
.115-.182	4000	-2 ON TAPE	52936-3
.115-.182	1000	LOOSE PIECE	52936-2
.115-.170	4000	-1 ON TAPE	52936-1
.115-.170	1000	LOOSE PIECE	52936

CUSTOMER SERVICE SYSTEMS	
FOR ADDITIONAL PRODUCT INFORMATION OR COPIES OF DRAWINGS AND TECHNICAL DOCUMENTS	PRODUCT INFORMATION CENTER 1-800-522-6752
FOR APPLICATION TOOLING INFORMATION	TOOLING ASSISTANCE CENTER 1-800-722-1111
FOR ORDER ENTRY	1-800-526-5142

MAX RECOMMENDED OPERATING TEMPERATURE: 105°C [221°F]
VOLTAGE RATING: 300 V MAX
CIRCULAR MIL AREA: 1.04-2.62mm² [2,050-5,180] SOLID OR STRANDED

THIS DRAWING IS A CONTROLLED DOCUMENT.	
DIMENSIONS: mm [INCHES]	TOLERANCES UNLESS OTHERWISE SPECIFIED:
	0 PLC ± -
	1 PLC ± -
	2 PLC ± -
	3 PLC ± 0.127 [.005]
	4 PLC ± -
	ANGLES ± 5°
MATERIAL	FINISH
4	5

DWN jr_ruth 19MAR10	STE TE Connectivity		
CHK T MICHIELUTTI 19MAR10	NAME TERMINAL, SHORT SPRING SPADE, PIDG, WIRE SIZE: 16-14 AWG		
APVD T MICHIELUTTI 19MAR10	PRODUCT SPEC UL486 A-B	APPLICATION SPEC 114-2157	RESTRICTED TO -
SIZE A3	CAGE CODE 00779	DRAWING NO C-52936	
CUSTOMER DRAWING		SCALE 6:1	SHEET 1 OF 1
		REV K3	

X-ON Electronics

Largest Supplier of Electrical and Electronic Components

Click to view similar products for [Terminals](#) category:

Click to view products by [TE Connectivity](#) manufacturer:

Other Similar products are found below :

[00-054007-01074-6](#) [00-054007-70206-1](#) [00-054007-70210-8](#) [00-054007-70217-7](#) [00-054007-70226-9](#) [00-054007-70228-3](#) [00-054007-70248-1](#) [00-054007-70256-6](#) [00-054007-70301-3](#) [00-054007-70316-7](#) [0-0320562-0](#) [00-054007-49560-4](#) [00-054007-70209-2](#) [00-054007-70225-2](#) [00-054007-70227-6](#) [00-054007-70231-3](#) [00-054007-70241-2](#) [00-054007-70242-9](#) [00-054007-70244-3](#) [00-054007-70246-7](#) [00-054007-70263-4](#) [00-054007-70288-7](#) [00-054007-70290-0](#) [00-054007-70300-6](#) [00-054007-70304-4](#) [01-2065-1-0216](#) [01-2900-1-04412](#) [00581P0075](#) [600TS-10](#) [60205-1](#) [604200-1](#) [605601-1](#) [60598-1-CUT-TAPE](#) [61314-6-C](#) [61810-3](#) [61-S](#) [61-SN](#) [626-0194](#) [62-NBM-A](#) [62-SN](#) [62-SP](#) [63-S](#) [640179-1](#) [M55155/059I03](#) [M55155/079C01](#) [M55155/099H02](#) [M55155/109H01](#) [M55155/109H02](#) [M55155/12XH05](#) [M55155/16XH02](#)