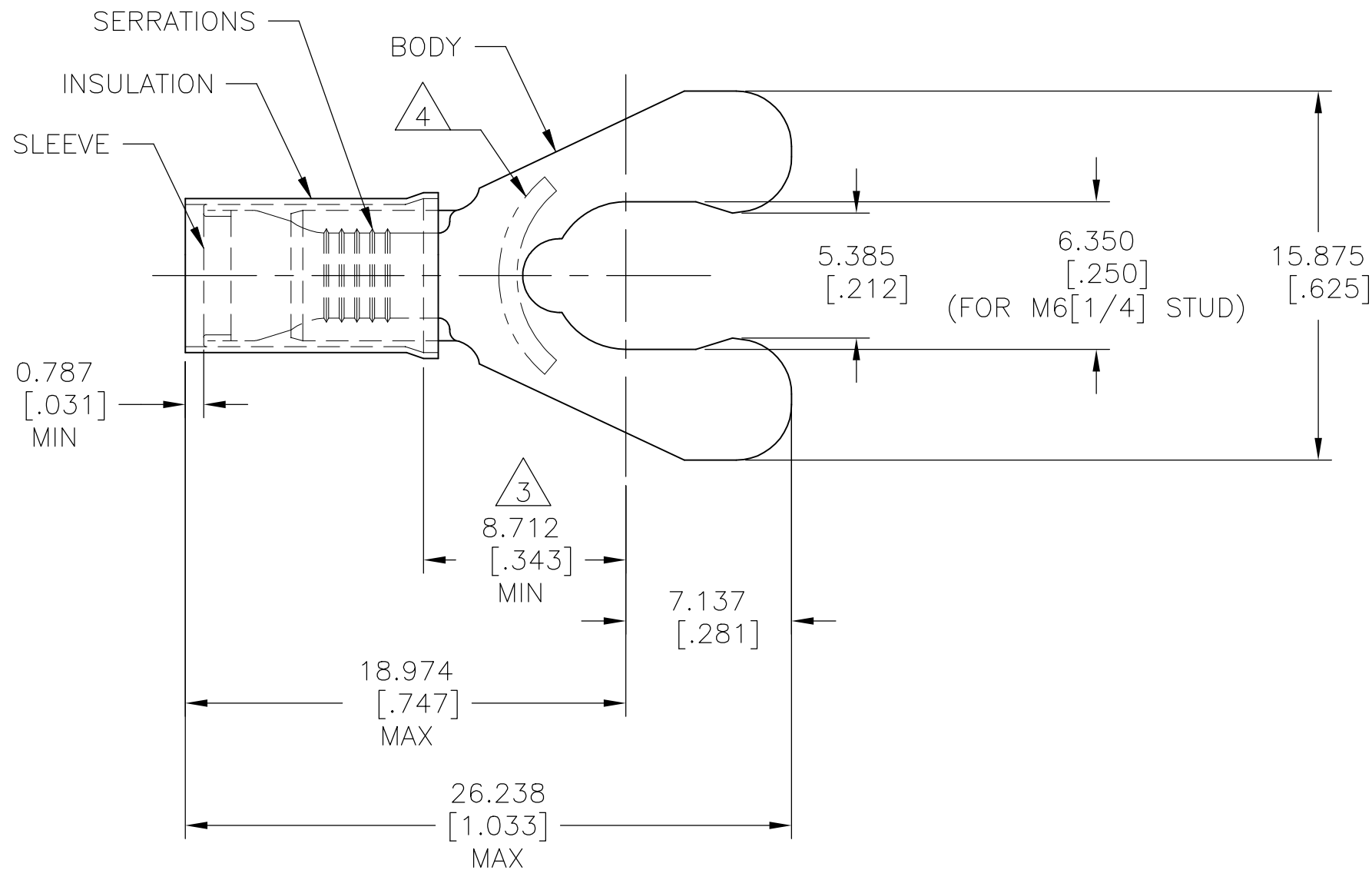


P	LTR	DESCRIPTION	DATE	DWN	APVD
	K	REV PER ECR 10-005107	08MAR10	JR	TM
	K1	REVISED PER ECO-17-008114	30MAY2018	RS	DR

AMP WIRE RANGE	E13288 Listed	LR7189 Certified
16-14 AWG SOLID OR STRANDED	16-14 AWG SOLID OR STRANDED	16-14 AWG SOLID OR STRANDED



- 1 FOR WIRE INSULATION DIA OF 2.921 TO 4.318 [.115 TO .170]
- 2 BODY MATERIAL THK IS 0.787±0.051 [.031±.002]
- 3 APPLIES FROM EDGE OF METAL WIRE BARREL TO CENTER OF STUD HOLE
- 4 STAMP " 1/4 S AMP 16-14* ", LOCATED APPROX AS SHOWN
- 5 MATERIAL:
BODY: PHOS. BRONZE PER ASTM B103
SLEEVE: COPPER PER ASTM B152
INSULATION: NYLON
- 6 FINISH:
BODY & SLEEVE: TIN PLATE PER ASTM B545
INSULATION: COLOR - BLUE

1000	LOOSE PIECE, BOX	52939
QTY	DESCRIPTION	PART NO.

AMP INCORPORATED
CUSTOMER SERVICE SYSTEMS

THIS DRAWING IS A CONTROLLED DOCUMENT.

DWN JR RUTH 25OCT01

CHK MS FEHER 25OCT01

APVD T MICHELUTTI 25OCT01



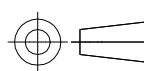
FOR ADDITIONAL PRODUCT INFORMATION OR COPIES OF DRAWINGS AND TECHNICAL DOCUMENTS
PRODUCT INFORMATION CENTER
1-800-522-6752

MAX RECOMMENDED OPERATING TEMPERATURE:
105°C [221°F] MAX

VOLTAGE RATING:
300 V MAX

WIRE CROSS SECTIONAL AREA RANGE,
1.04-2.62mm²[2,050-5,180] CIR MILS
SOLID OR STRANDED

DIMENSIONS:
mm [INCHES]



TOLERANCES UNLESS OTHERWISE SPECIFIED:

0 PLC	± -
1 PLC	± -
2 PLC	± -
3 PLC	± 0.127[.005]
4 PLC	± -
ANGLES	± 5°

MATERIAL



FINISH



NAME
WIRE TERMINAL, PIDG,
SPRING SPADE, (STUB)
16-14 AWG

SIZE A3 CAGE CODE 00779 DRAWING NO C-52939 RESTRICTED TO -

FOR APPLICATION TOOLING ASSISTANCE CENTER
TOOLING INFORMATION
1-800-722-1111

FOR ORDER ENTRY
1-800-526-5142

CUSTOMER DRAWING

SCALE 4:1 SHEET 1 OF 1 REV K1

X-ON Electronics

Largest Supplier of Electrical and Electronic Components

Click to view similar products for [Terminals](#) category:

Click to view products by [TE Connectivity](#) manufacturer:

Other Similar products are found below :

[HT-13-10](#) [71M-250-32-NB](#) [01-2065-1-0216](#) [00581P0075](#) [M10-10RX](#) [M10BCK](#) [60205-1](#) [604200-1](#) [60598-1-CUT-TAPE](#) [60617-1-C](#) [60873-1](#) [M14-516R/SK](#) [M14-6RSX](#) [M18-8FBX](#) [M18-8R/LX](#) [M18BCK](#) [61314-6-C](#) [61-S](#) [61-SN-A](#) [62-NBM-A](#) [63-S](#) [640179-1](#) [640917-2-CUT-TAPE](#) [6501550002](#) [66107-2-C](#) [696683-1](#) [696834-1](#) [696861-1](#) [696931-1](#) [696999-1](#) [M8-516RK](#) [M86700006](#) [MA250DMFMX-A](#) [701-2007](#) [701-2307](#) [701-7761-03](#) [70F-110-32-PB](#) [718-N-A](#) [71M-187-20-NBL](#) [71M-250-32-NBL](#) [72F-187-20-NBL](#) [72M-250-32-NBL](#) [7310](#) [73F-250-32](#) [73F-250-32-NL](#) [F14-10C](#) [F-1M](#) [751-250](#) [76650-5002](#) [76828-149](#)