

THIS DRAWING IS UNPUBLISHED.


RELEASED FOR PUBLICATION

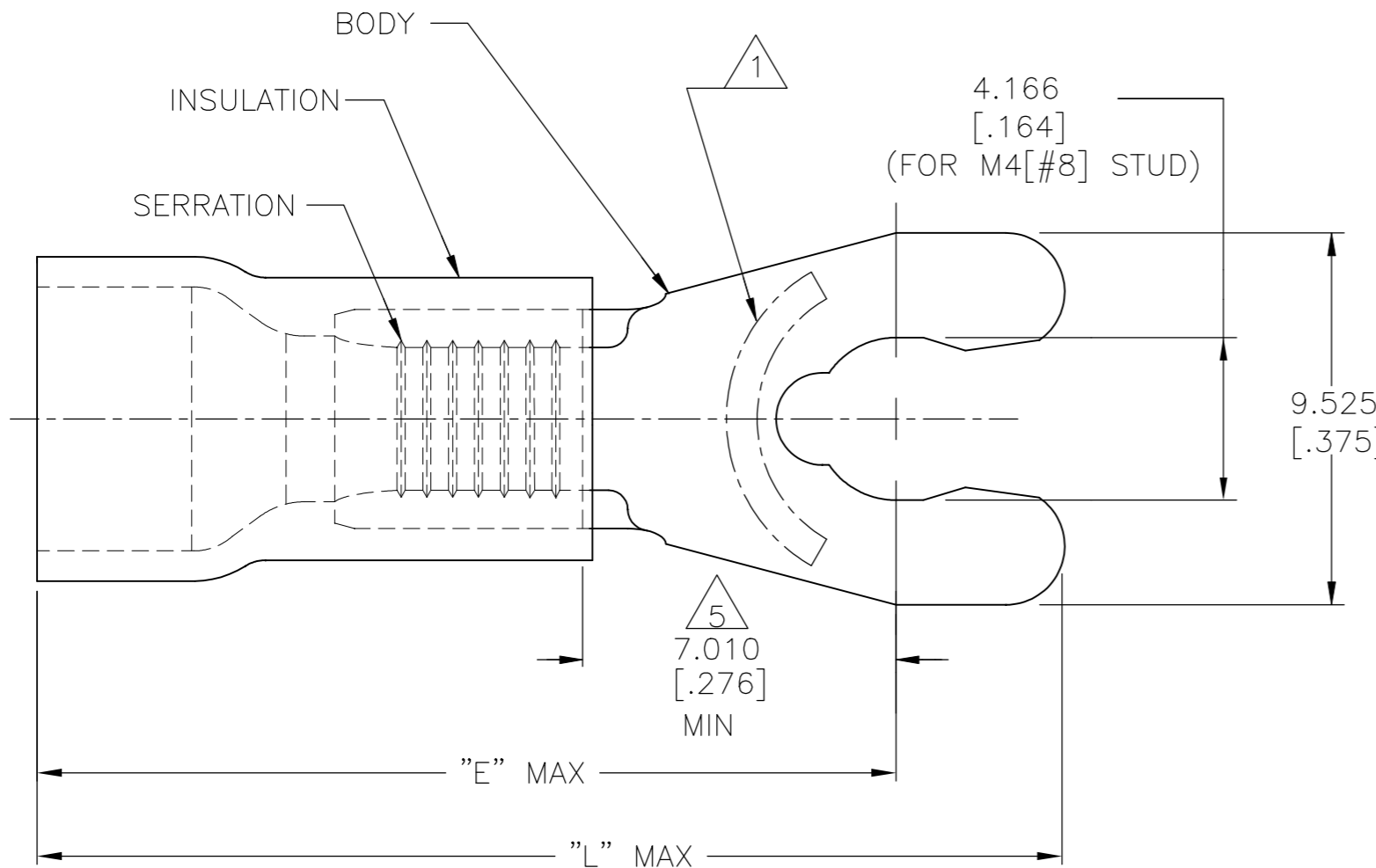
© COPYRIGHT - TE Connectivity Ltd.

ALL RIGHTS RESERVED.

REVISIONS

P	LTR	DESCRIPTION	DATE	DWN	APVD
N		REV PER 0G3A-0668-04	24AUG04	JR	TM
N1		REVISED PER ECO-17-014338	28MAR2018	RS	DR
N2		REVISED PER ECO-18-015550	04OCT2018	RS	DR

AMP WIRE RANGE	 Listed FILE E13288
12-10 AWG SOLID OR STRANDED	12 AWG STRANDED



- 1 STAMP 8S AMP 12-10* APPROX AS SHOWN
- 2 SEE TABLE FOR WIRE INSUL DIA
- 3 BODY MATL THK, 1.016±.051[.040±.002]
- 4 MATERIAL: BODY - BRASS PER ASTM B36
INSULATION - PVC.
- 5 APPLIES FROM CENTER OF STUD HOLE TO
EDGE OF METAL WIRE BARREL

28.219 [1.111]	23.774 [.936]	6.350-7.620 [.250-.300]	1500	ON TAPE, REEL	52962-3
28.219 [1.111]	23.774 [.936]	6.350-7.620 [.250-.300]	500	LOOSE PIECE	52962-2
26.721 [1.052]	22.276 [.877]	2.667-5.080 [.105-.200]	2500	ON TAPE, REEL	52962-1
26.721 [1.052]	22.276 [.877]	2.667-5.080 [.105-.200]	500	LOOSE PIECE	52962
L	E	WIRE INSUL DIA	QTY	PACKAGE TYPE	PART NO

AMP INCORPORATED
CUSTOMER SERVICE SYSTEMS

MAX RECOMMENDED OPERATING
TEMPERATURE:

105°C [221°F]

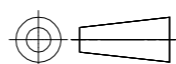
VOLTAGE RATING:
600V MAX
(1000V FIXTURE OR SIGN)

CIRCULAR MIL AREA:
2.62-6.64mm² [5,180-13,100]
SOLID OR STRANDED

THIS DRAWING IS A CONTROLLED DOCUMENT FOR
AMP INCORPORATED. IT IS SUBJECT TO CHANGE
AND THE CONTROLLING ENGINEERING ORGANIZATION
SHOULD BE CONTACTED FOR THE LATEST REVISION.

THIS DRAWING IS A CONTROLLED DOCUMENT.

DIMENSIONS:
mm [INCHES]



TOLERANCES UNLESS
OTHERWISE SPECIFIED:

0 PLC	± -
1 PLC	± -
2 PLC	± -
3 PLC	± 0.127[.005]
4 PLC	± -
ANGLES	± -

MATERIAL



FINISH
BODY THK PER ASTM B545
INSULATION: COLOR=YELLOW

DWN 26JUN95

L OLMEDA

CHK 26JUN95

M ELLIS

APVD 26JUN95

G NGO

PRODUCT SPEC

UL 486A-B

APPLICATION SPEC

114-2161

WEIGHT



TE Connectivity Ltd.

NAME
TERMINAL, SPRING SPADE,
SHORT, PLASTI-GRIP
WIRE SIZE 12-10

SIZE CAGE CODE DRAWING NO RESTRICTED TO

A3 00779 C-52962

CUSTOMER DRAWING

SCALE 6:1

SHEET 1 OF 1

REV N2

X-ON Electronics

Largest Supplier of Electrical and Electronic Components

Click to view similar products for [Terminals](#) category:

Click to view products by [TE Connectivity](#) manufacturer:

Other Similar products are found below :

[00-054007-01074-6](#) [00-054007-70206-1](#) [00-054007-70210-8](#) [00-054007-70217-7](#) [00-054007-70226-9](#) [00-054007-70228-3](#) [00-054007-70248-1](#) [00-054007-70256-6](#) [00-054007-70301-3](#) [00-054007-70316-7](#) [00-054007-49560-4](#) [00-054007-70209-2](#) [00-054007-70225-2](#) [00-054007-70227-6](#) [00-054007-70231-3](#) [00-054007-70241-2](#) [00-054007-70242-9](#) [00-054007-70244-3](#) [00-054007-70246-7](#) [00-054007-70263-4](#) [00-054007-70288-7](#) [00-054007-70290-0](#) [00-054007-70300-6](#) [00-054007-70304-4](#) [01-2065-1-0216](#) [01-2900-1-04412](#) [00581P0075](#) [600TS-10](#) [60205-1](#) [604200-1](#) [605601-1](#) [60598-1-CUT-TAPE](#) [61314-6-C](#) [61810-3](#) [61-S](#) [61-SN](#) [626-0194](#) [62-NBM-A](#) [62-SN](#) [62-SP](#) [63-S](#) [640179-1](#) [M55155/059I03](#) [M55155/079C01](#) [M55155/099H02](#) [M55155/109H01](#) [M55155/109H02](#) [M55155/12XH05](#) [M55155/16XH02](#) [M55155/29-5S](#)