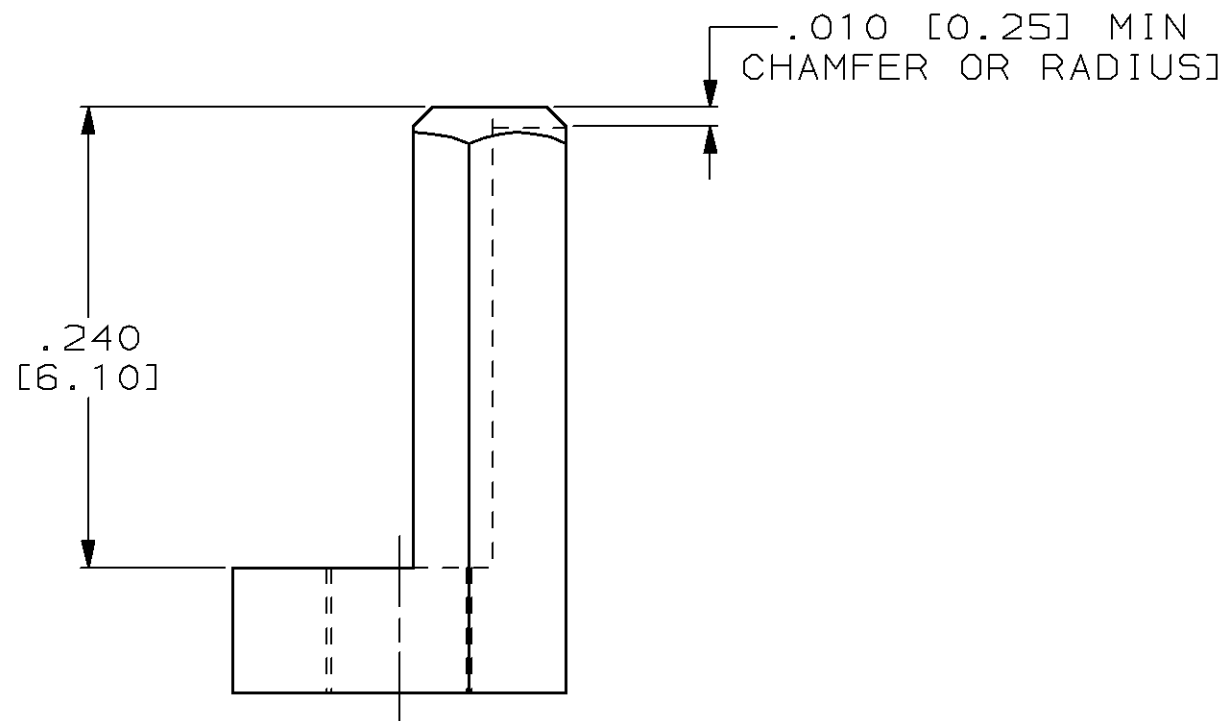
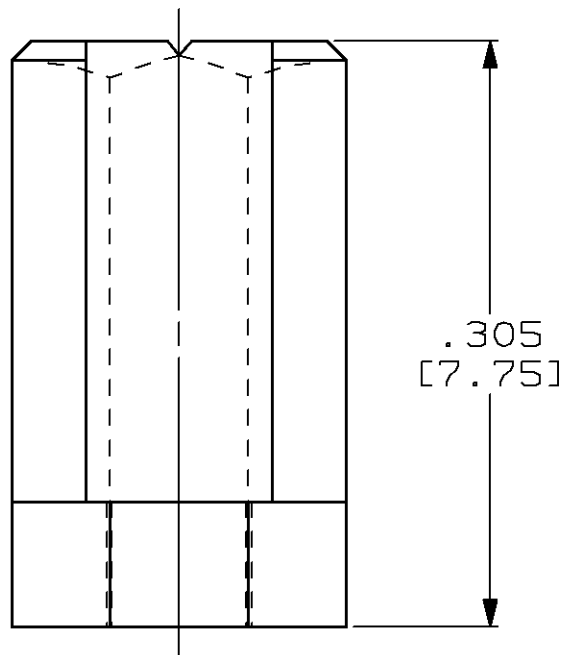
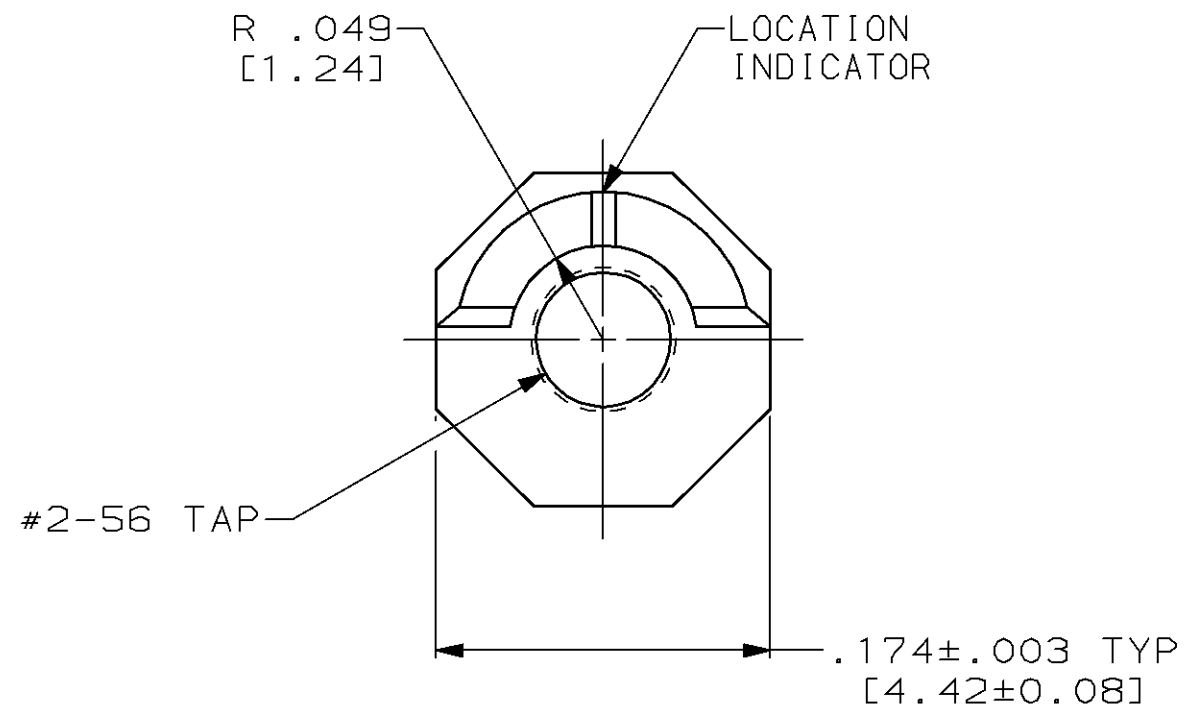


THIS DRAWING IS UNPUBLISHED. RELEASED FOR PUBLICATION  
 © COPYRIGHT 19 BY AMP INCORPORATED. ALL INTERNATIONAL RIGHTS RESERVED.

PROD CODE	LOC	DIST	P	F	ZONE	LTR	DESCRIPTION	DATE	APPD
5394	DF	FO				F1	REDRAWN & REVISED PER ECN DF-4625 T.S.	2-23-93	DM
			✓	✓		G	REV PER 0600-5094-96 JB	08-03-97	DM



- ① RECEPTACLE KIT CONSISTING OF 2 PIECES OF 530341-1 AND 2 #2-56 SCREWS, 1/4" LONG.
- ② PIN HEADER KIT CONSISTING OF 2 PIECES OF 530341-1 AND 2 PIECES OF 530347-1.
- ③ PIN HEADER KIT CONSISTING OF 2 PIECES OF 530341-1 AND 2 PIECES OF 530347-3.
- ④ CONSISTS OF 2 PIECES OF 530341-1.
- ⑤ PIN HEADER KIT CONSISTING OF 2 PIECES OF 530341-1 AND 2 #2-56 CROSS RECESSED ROUND HEADED SCREWS .250 LONG.
- ⑥ RECEPTACLE KIT CONSISTING OF 2 PIECES OF 530341-1 AND 2 PIECES OF 530347-2.

⑥	---	530341-8
⑤	---	530341-7
④	---	530341-6
③	---	530341-5
②	---	530341-4
①	---	530341-3
AS SHOWN	M55302/31-04	530341-1
REMARKS	MILITARY PART NUMBER	PART NUMBER

DO NOT SCALE PRINT. UNLESS SPECIFIED DIMENSIONS IN INCHES [mm] TOLERANCES ON: 2 PLC DEC ± _____ 3 PLC DEC ± .005 [0.13] ANGLES ± _____	DR 4-18-91 T. SHUEY	AMP Incorporated Harrisburg, PA 17105-3608	
	CHK 2-23-93 D. MILLER		
MATERIAL STAINLESS STEEL PER ASTM-A-582	APPD 2-23-93 B. FOLEY	EXTERNAL KEY, BOX CONNECTOR	
FINISH PASSIVATED PER QQ-P-35	APPD 2-23-93 T. ALEXANDER	SIZE C	CAGE CODE 00779
	APPLICATION SPEC -	DRAWING NO 530341	SHEET 1 OF 1
	WEIGHT -	SCALE 10:1	

## X-ON Electronics

Largest Supplier of Electrical and Electronic Components

*Click to view similar products for [Headers & Wire Housings](#) category:*

*Click to view products by [TE Connectivity](#) manufacturer:*

Other Similar products are found below :

[892-18-020-10-001101](#) [58102-G61-06LF](#) [582553-1](#) [0009485154](#) [009176003701906](#) [0050291907](#) [LY20-4P-DT1-P1E-BR](#) [02.125.8002.8](#)  
[609-3404](#) [61062-3](#) [61082-181009](#) [622-3653LF](#) [63453-116](#) [636-1030](#) [636-1427](#) [636-3427](#) [636-4007](#) [641938-9](#) [641991-4](#) [644827-2](#) [65817-010LF](#) [65817-015LF](#) [65863-015LF](#) [66207-023LF](#) [67095-007LF](#) [67601157](#) [68645-018](#) [68648-049](#) [70.362.1628.0](#) [70-4210](#) [70-4226B](#) [70-4853B](#) [707-5020](#) [707-5028](#) [71.350.2428.0](#) [71918-208LF](#) [71961-016LF](#) [733-134](#) [733-162](#) [754199-000](#) [760-3052](#) [787-8014-00](#) [79531-3000](#)  
[FCN-360C032-B](#) [FCN-367T-T012/H](#) [FCN-723D010/2](#) [80.063.4001.1](#) [800-90-001-10-001000](#) [800-90-010-10-002000](#) [801-43-002-10-013000](#)