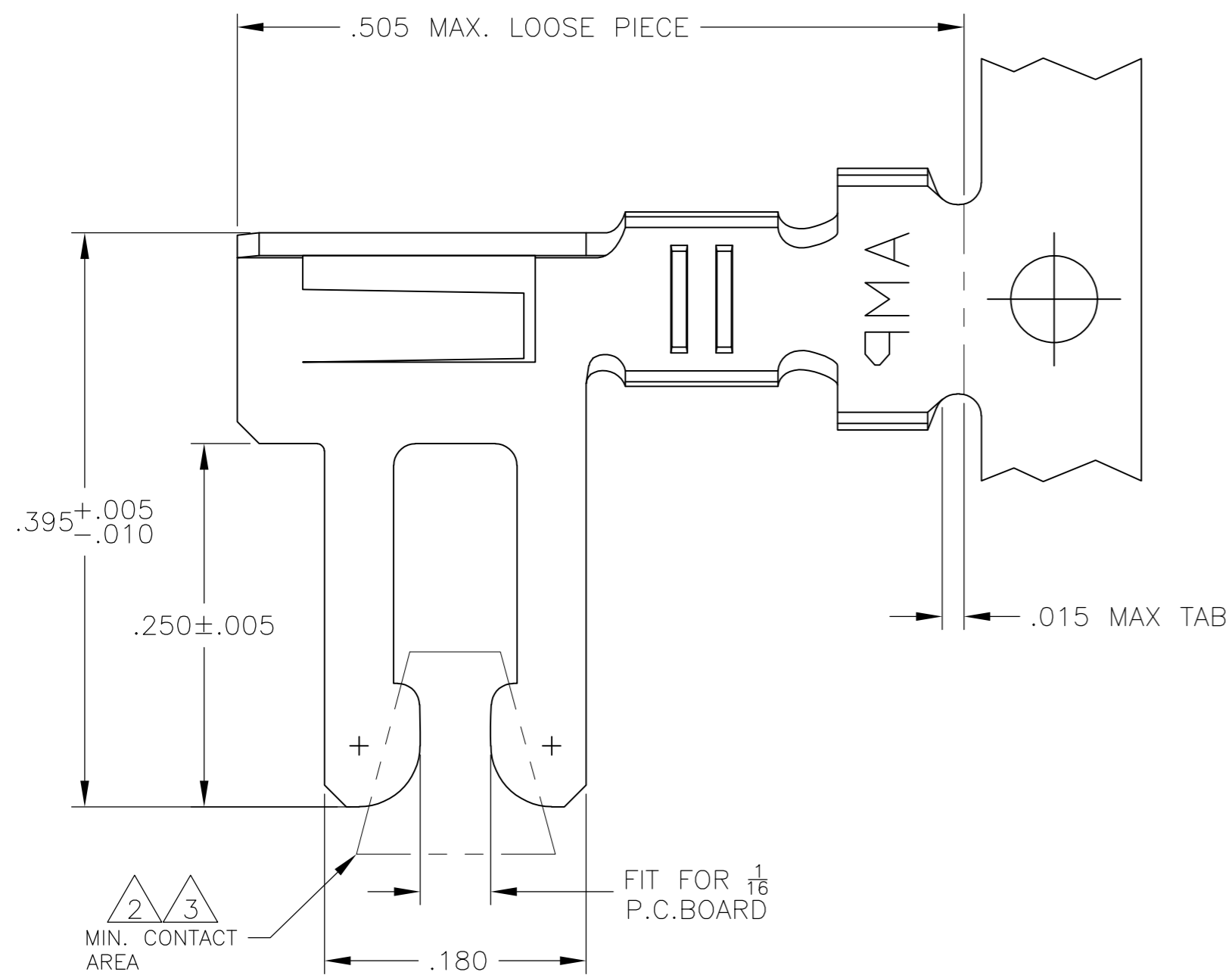
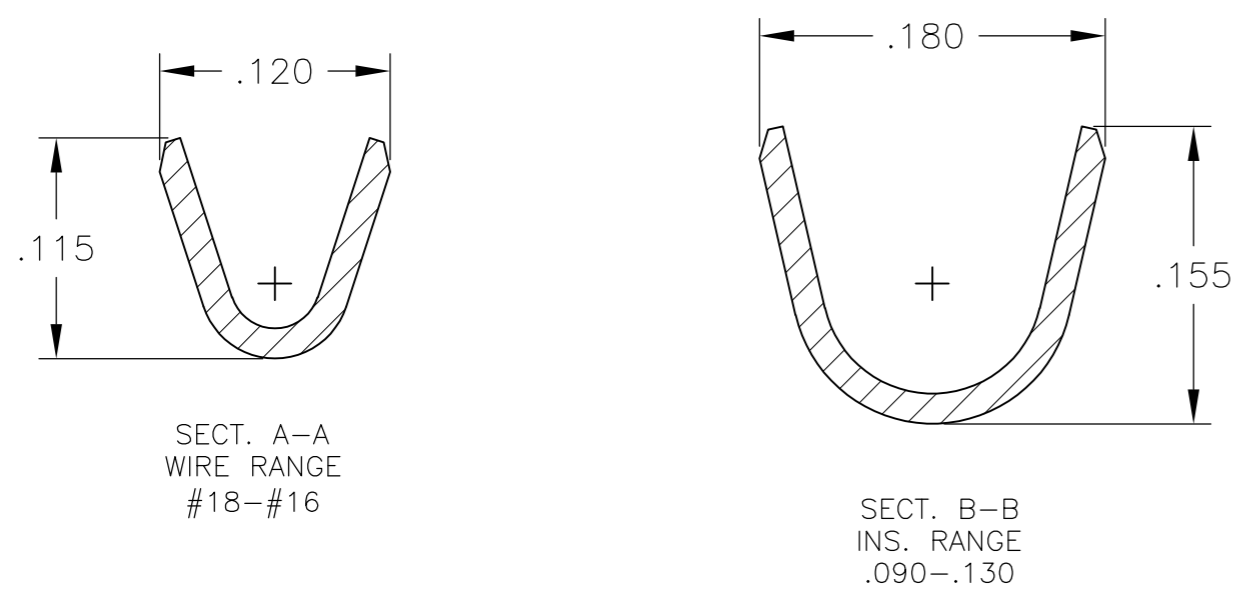
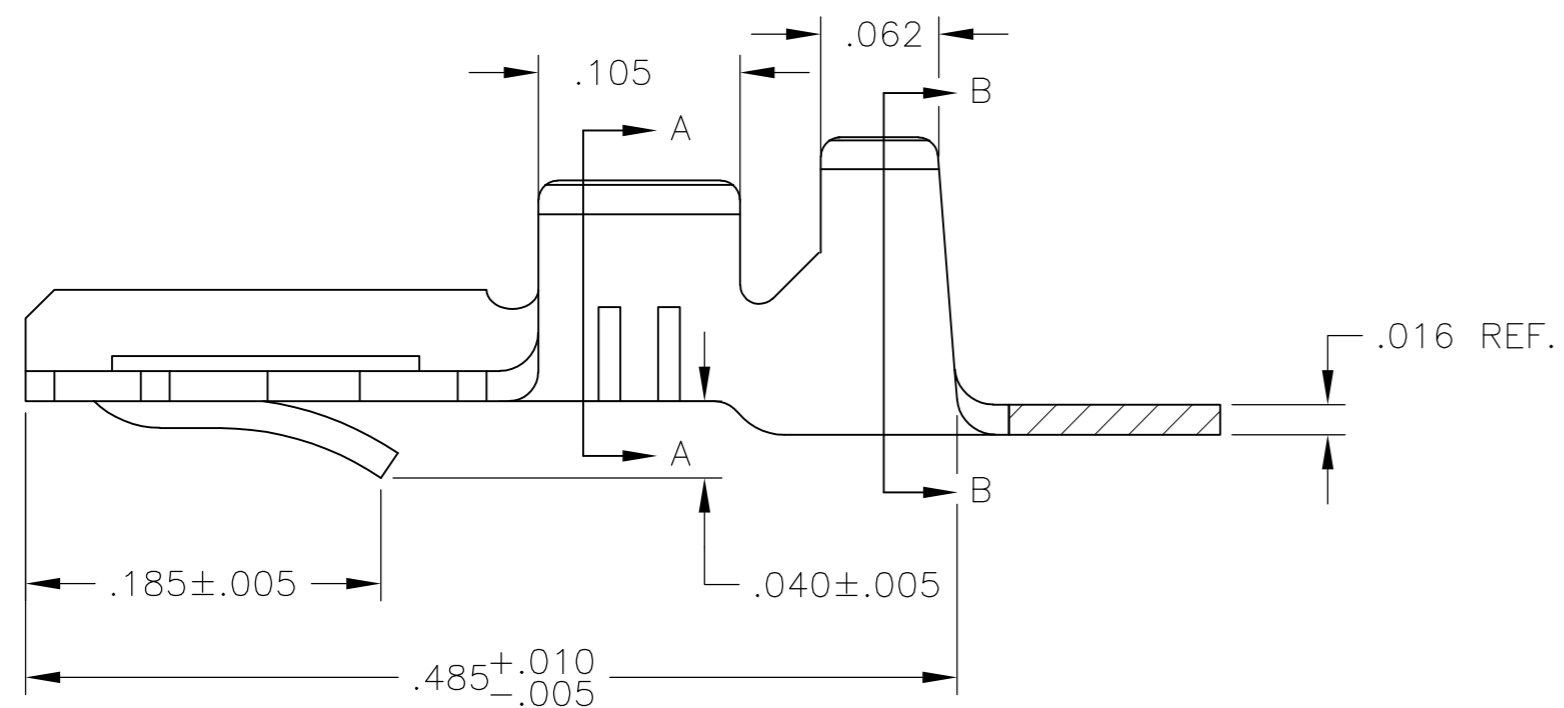


THIS DRAWING IS UNPUBLISHED. RELEASED FOR PUBLICATION  
 © COPYRIGHT BY TYCO ELECTRONICS CORPORATION. ALL RIGHTS RESERVED.

LOC	DIST	REVISIONS			
P	LTR	DESCRIPTION	DATE	DWN	APVD
AD	00	M	ECO-07-10819	09MAY07	MB MM



- △1 TO BE USED IN HOUSING WITH INSULATION CAVITY SIZE OF .128x.155
- △2 .000030 GOLD OVER .000050 NICKEL IN CONTACT AREA .000050 NICKEL ON REMAINDER OF CONTACT.
- △3 .000015 GOLD OVER .000050 NICKEL IN CONTACT AREA REMAINDER OF CONTACT .000050 NICKEL.



OBSOLETE				
5-530501-5	5-530502-1	TIN PLATE OVER NICKEL	PHOS. BRONZE	-
OBSOLETE	530501-7	530502-3	△3 PHOS. BRONZE	530501-4
OBSOLETE	530501-6	530502-2	△2 PHOS. BRONZE	530501-3
530501-5	530502-1	TIN/LEAD PL OVER NICKEL	PHOS. BRONZE	530501-2
L.R FEED FOR MINI-APPL.	L.P.NO.REF.	FINISH	MATERIAL	STRIP P/N, R-L FEED STD. REELING

THIS DRAWING IS A CONTROLLED DOCUMENT.		DWN -	Tyco Electronics Corporation Harrisburg, Pa 17105-3608	
DIMENSIONS: INCHES	TOLERANCES UNLESS OTHERWISE SPECIFIED:	CHK M MILLER	APVD M MILLER	NAME
	0 PLC ± -	PRODUCT SPEC	DUO-TYNE FLAG CONTACT	
	1 PLC ± -	APPLICATION SPEC	18-16 AWG, WIRE	
	2 PLC ± .010		SIZE	CAGE CODE
	3 PLC ± -		A2	00779
MATERIAL SEE TABLE	FINISH SEE TABLE	WEIGHT -	DRAWING NO	RESTRICTED TO
		CUSTOMER DRAWING	C=530501	-
		SCALE 10:1	SHEET 1 OF 1	REV M

## X-ON Electronics

Largest Supplier of Electrical and Electronic Components

*Click to view similar products for [Standard Card Edge Connectors](#) category:*

*Click to view products by [TE Connectivity](#) manufacturer:*

Other Similar products are found below :

[6565204-6](#) [PKC-156](#) [1437274-4](#) [147889-1](#) [1489165-4](#) [1-582587-1](#) [1-582589-1](#) [2-6437275-9](#) [284-0102-12100](#) [306022901000000](#) [307-012-502-202](#) [307-024-526-201](#) [307-056-520-300](#) [307-080-526-208](#) [245-062-520-350](#) [287-0032-12101](#) [306-028-525-102](#) [306-240-318](#) [307-036-502-202](#) [307-036-521-301](#) [307-072-526-202](#) [345-060-559-303](#) [368-004-520-201](#) [392-008-559-201](#) [534671-1](#) [5-530501-5](#) [341-240-317](#) [345-029-520-300](#) [345-030-500-301](#) [345-044-500-300](#) [345-220-058](#) [346-240-318](#) [357-030-526-201](#) [387-012-523-300](#) [395-044-520-300](#) [395-100-524-300](#) [50-12B-10](#) [50-6SN-5](#) [09-07-2032](#) [10035388-106LF](#) [10035388-802LF](#) [10122859-009LF](#) [530555-1](#) [EBT156-15A2X](#) [2007209-1](#) [5-678046-1](#) [1766200-1](#) [650231-6](#) [650289-1](#) [73726-0005](#)