

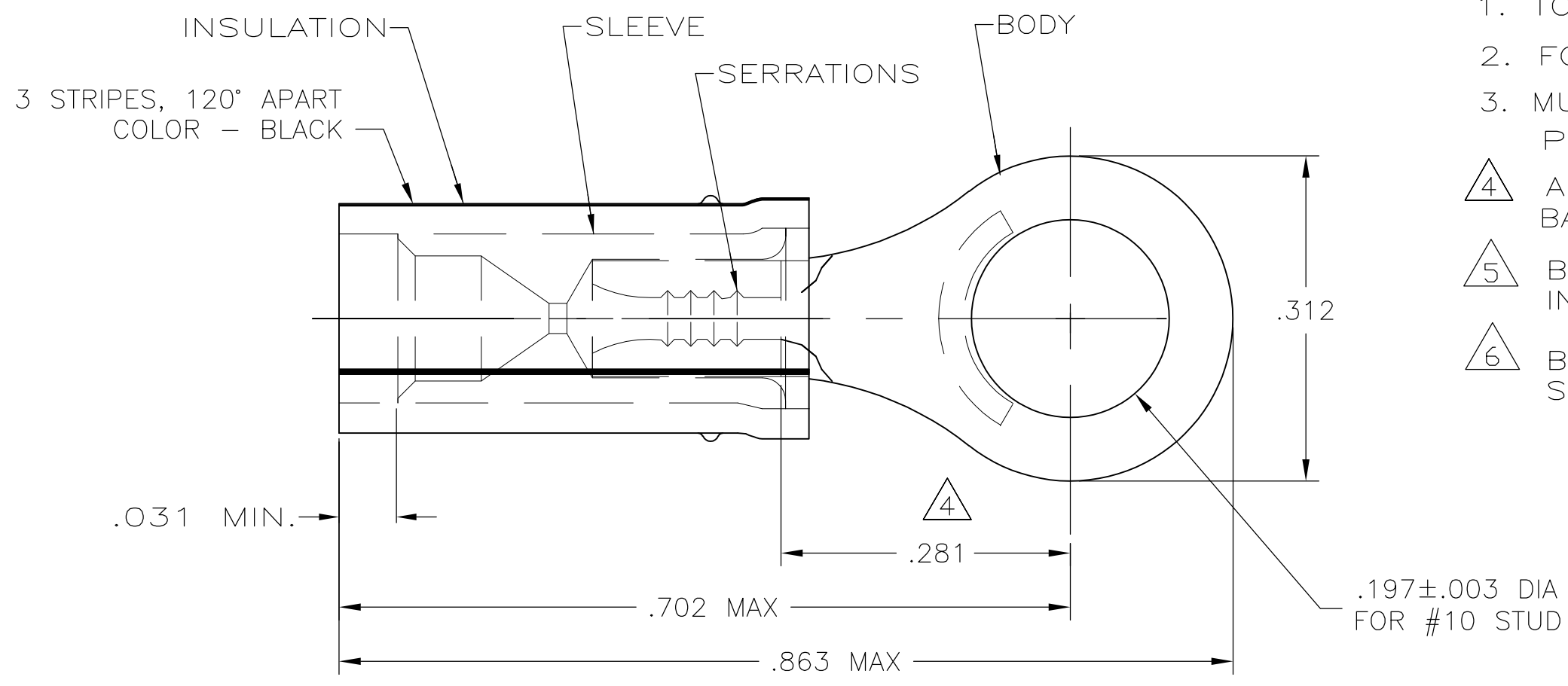
THIS DRAWING IS UNPUBLISHED. RELEASED FOR PUBLICATION  
 © COPYRIGHT BY TYCO ELECTRONICS CORPORATION. ALL INTERNATIONAL RIGHTS RESERVED.

LOC	DIST	REVISIONS			
P	LTR	DESCRIPTION	DATE	DWN	APVD
G	14				
	D	REV PER ECR 08-027659	31OCT08	JR	TM

**AMP**  
WIRE RANGE

---

26 AWG  
STRANDED



1. TONGUE MATERIAL THK: .027±.001
  2. FOR .026 TO .055 WIRE INS. OD.
  3. MUST BE CRIMPED WITH 22-18 OR 22-16 PIDG (RED) TOOL.
- △4 APPLIED FROM EDGE OF METAL WIRE BARREL TO CENTER OF STUD HOLE.
  - △5 BODY & SLEEVE: CU PER ASTM B152 INSULATION: NYLON, COLOR - YELLOW
  - △6 BODY; TIN PLATE PER ASTM B545 SLEEVE: NI PLATE PER QQ-N-290

M7928/1-5 CLASS 1 & 2	1	WIRE TERMINAL	53052
MILITARY P/N AND CLASS	QTY	PACKAGE TYPE	PART NO

<b>AMP INCORPORATED CUSTOMER SERVICE SYSTEMS</b>		MAX RECOMMENDED OPERATING TEMPERATURE: 105°C [221°F]
FOR ADDITIONAL PRODUCT INFORMATION OR COPIES OF DRAWINGS AND TECHNICAL DOCUMENTS	PRODUCT INFORMATION CENTER 1-800-522-6752	VOLTAGE RATING: 300V MAX
FOR APPLICATION TOOLING INFORMATION	TOOLING ASSISTANCE CENTER 1-800-722-1111	CIRCULAR MIL AREA: 0.12-0.15mm² [238-304] STRANDED
FOR ORDER ENTRY	1-800-526-5142	THIS DRAWING IS A CONTROLLED DOCUMENT FOR AMP INCORPORATED. IT IS SUBJECT TO CHANGE AND THE CONTROLLING ENGINEERING ORGANIZATION SHOULD BE CONTACTED FOR THE LATEST REVISION.

THIS DRAWING IS A CONTROLLED DOCUMENT.	
DIMENSIONS: INCHES	TOLERANCES UNLESS OTHERWISE SPECIFIED:
	0 PLC ± -
	1 PLC ± -
	2 PLC ± .008
	3 PLC ± -
	4 PLC ± -
	ANGLES ± -
MATERIAL	FINISH
△5	△6

DWN JR RUTH 28OCT08		Tyco Electronics Corporation Harrisburg, PA 17105-3608	
CHK TOM MICHIELUTTI 28OCT08		NAME	
APVD TOM MICHIELUTTI 28OCT08		TERMINAL, PIDG, RING TONGUE, INSULATION RESTRICTING WIRE SIZE: 26	
PRODUCT SPEC		SIZE	CAGE CODE
APPLICATION SPEC	A3	00779	C-53052
WEIGHT	RESTRICTED TO		SCALE
CUSTOMER DRAWING	-		8:1
	SHEET		REV
	1 OF 1		D

## X-ON Electronics

Largest Supplier of Electrical and Electronic Components

*Click to view similar products for [Terminals](#) category:*

*Click to view products by [TE Connectivity](#) manufacturer:*

Other Similar products are found below :

[00-054007-01074-6](#) [00-054007-70206-1](#) [00-054007-70210-8](#) [00-054007-70217-7](#) [00-054007-70226-9](#) [00-054007-70228-3](#) [00-054007-70248-1](#) [00-054007-70256-6](#) [00-054007-70301-3](#) [00-054007-70316-7](#) [0-0320562-0](#) [00-054007-49560-4](#) [00-054007-70209-2](#) [00-054007-70225-2](#) [00-054007-70227-6](#) [00-054007-70231-3](#) [00-054007-70241-2](#) [00-054007-70242-9](#) [00-054007-70244-3](#) [00-054007-70246-7](#) [00-054007-70263-4](#) [00-054007-70288-7](#) [00-054007-70290-0](#) [00-054007-70300-6](#) [00-054007-70304-4](#) [01-2065-1-0216](#) [01-2900-1-04412](#) [00581P0075](#) [600TS-10](#) [60205-1](#) [604200-1](#) [605601-1](#) [60598-1-CUT-TAPE](#) [61314-6-C](#) [61810-3](#) [61-S](#) [61-SN](#) [626-0194](#) [62-NBM-A](#) [62-SN](#) [62-SP](#) [63-S](#) [640179-1](#) [M55155/059I03](#) [M55155/079C01](#) [M55155/099H02](#) [M55155/109H01](#) [M55155/109H02](#) [M55155/12XH05](#) [M55155/16XH02](#)