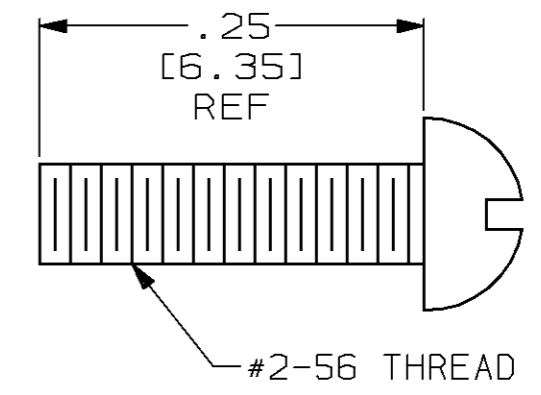
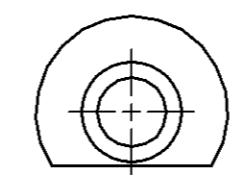
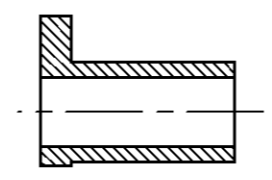
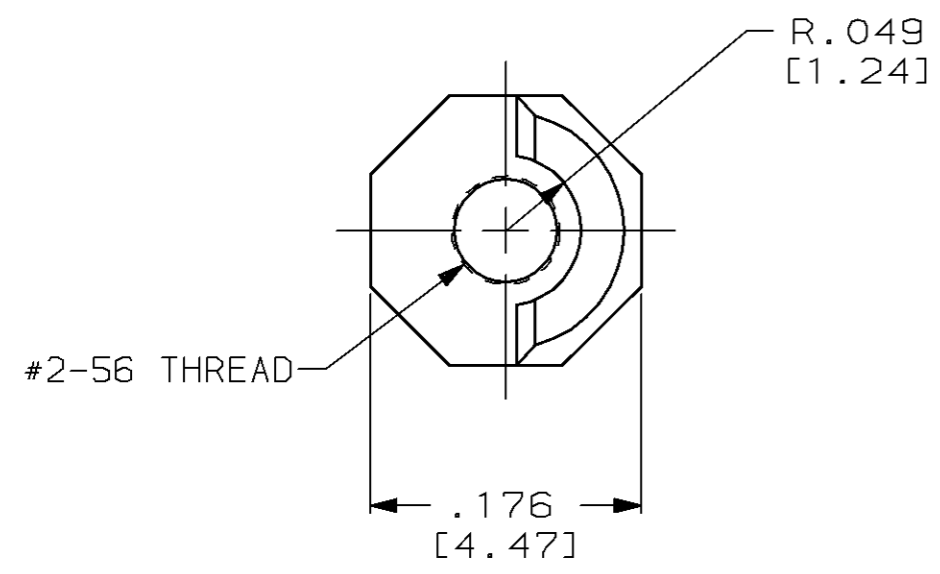


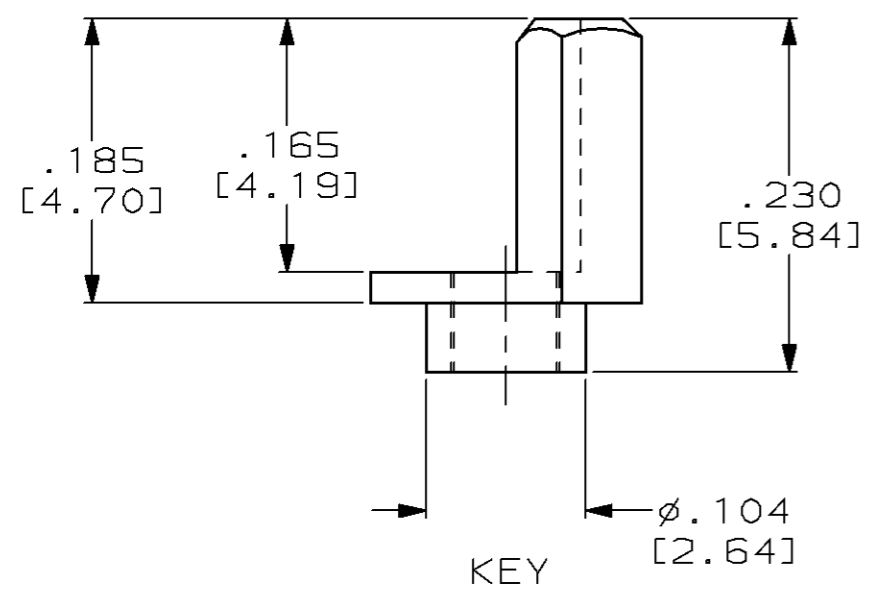
THIS DRAWING IS UNPUBLISHED. RELEASED FOR PUBLICATION, 19 .
 © COPYRIGHT 19 BY AMP INCORPORATED. ALL RIGHTS RESERVED.

LOC	DIST	REVISIONS			
P	LTR	DESCRIPTION	DATE	DWN	APVD
DF	F0				
	C	REV PER 0600-2818-94	01-10-95	TT	DG
	D	REV PER 0600-4263-95	2-96	CT	DG



RIVET

SCREW



- KEY PRESS FITS INTO MINI-BOX PIN HEADER AND/OR RECEPTACLES USING TOOL #91117-2.
- SCREWS ARE TO MOUNT KEYED RECEPTACLES TO P.C. BOARD.
- RIVET IS CRIMPED INTO KEY WITH AMP TOOL #91117-6, RIVET TOOL MUST NOT BE USED IN PLACE OF PRESS FIT TOOL.
- SEE "IS 7894" FOR KEY INSERTION.
- REFER TO DRAWING 534164 FOR DETAIL DIMENSIONS.

	-	2	530721-1	2	534164-2	-	-	KIT	530721-4
	-	2	530721-1	-	-	2	7-21082-1	KIT	530721-3
NOT RELEASED	-	-	-	-	-	-	-	-	530721-2
AS SHOWN	M55302/31-06	1	530721-1	-	-	-	-	KEY	530721-1
REMARKS	MILITARY PART NO.	QTY	KEY	QTY	RIVET	QTY	#2-56 SCREW .25 LONG [6.35]	DESCRIPTION	PART NUMBER

THIS DRAWING IS A CONTROLLED DOCUMENT FOR AMP INCORPORATED. IT IS SUBJECT TO CHANGE AND THE CONTROLLING ENGINEERING ORGANIZATION SHOULD BE CONTACTED FOR THE LATEST REVISION.

DOWNSIDE T. THOMPSON 01-10-95		AMP Incorporated Harrisburg, PA 17105-3608
CHECKED D. GUTTER 01-23-95		
APPROVED D. GUTTER 01-23-95		
PRODUCT SPEC		
APPLICATION SPEC		NAME EXTERNAL KEY, MINI-BOX, STANDARD
MATERIAL STAINLESS STEEL		SIZE A3
FINISH PASSIVATED		CAGE CODE 00779
WEIGHT -		DRAWING NO C-530721
CUSTOMER DRAWING		SCALE 8:1
		SHEET 1 OF 1
		REV D

X-ON Electronics

Largest Supplier of Electrical and Electronic Components

Click to view similar products for [Headers & Wire Housings](#) category:

Click to view products by [TE Connectivity](#) manufacturer:

Other Similar products are found below :

[892-18-020-10-001101](#) [58102-G61-06LF](#) [582553-1](#) [0009485154](#) [009176003701906](#) [0050291907](#) [LY20-4P-DT1-P1E-BR](#) [02.125.8002.8](#)
[609-3404](#) [61062-3](#) [61082-181009](#) [622-3653LF](#) [63453-116](#) [636-1030](#) [636-1427](#) [636-3427](#) [636-4007](#) [641938-9](#) [641991-4](#) [644827-2](#) [65817-010LF](#) [65817-015LF](#) [65863-015LF](#) [66207-023LF](#) [67095-007LF](#) [67601157](#) [68645-018](#) [68648-049](#) [70.362.1628.0](#) [70-4210](#) [70-4226B](#) [70-4853B](#) [707-5020](#) [707-5028](#) [71.350.2428.0](#) [71918-208LF](#) [71961-016LF](#) [733-134](#) [733-162](#) [754199-000](#) [760-3052](#) [787-8014-00](#) [79531-3000](#)
[FCN-360C032-B](#) [FCN-367T-T012/H](#) [FCN-723D010/2](#) [80.063.4001.1](#) [800-90-001-10-001000](#) [800-90-010-10-002000](#) [801-43-002-10-013000](#)