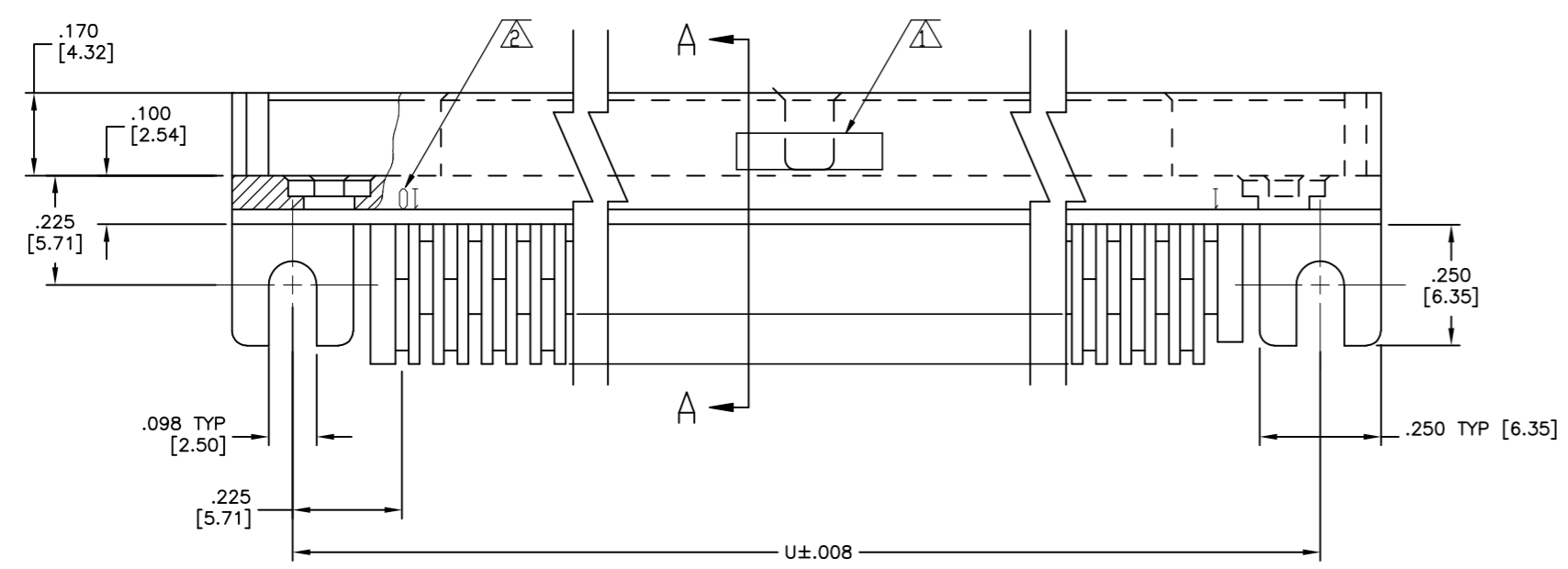
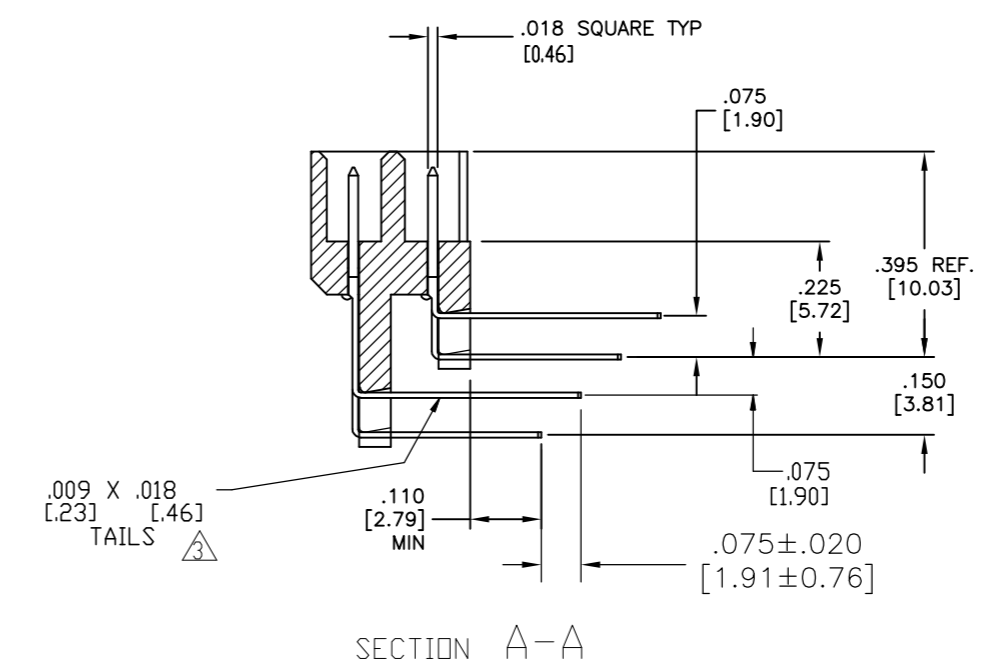
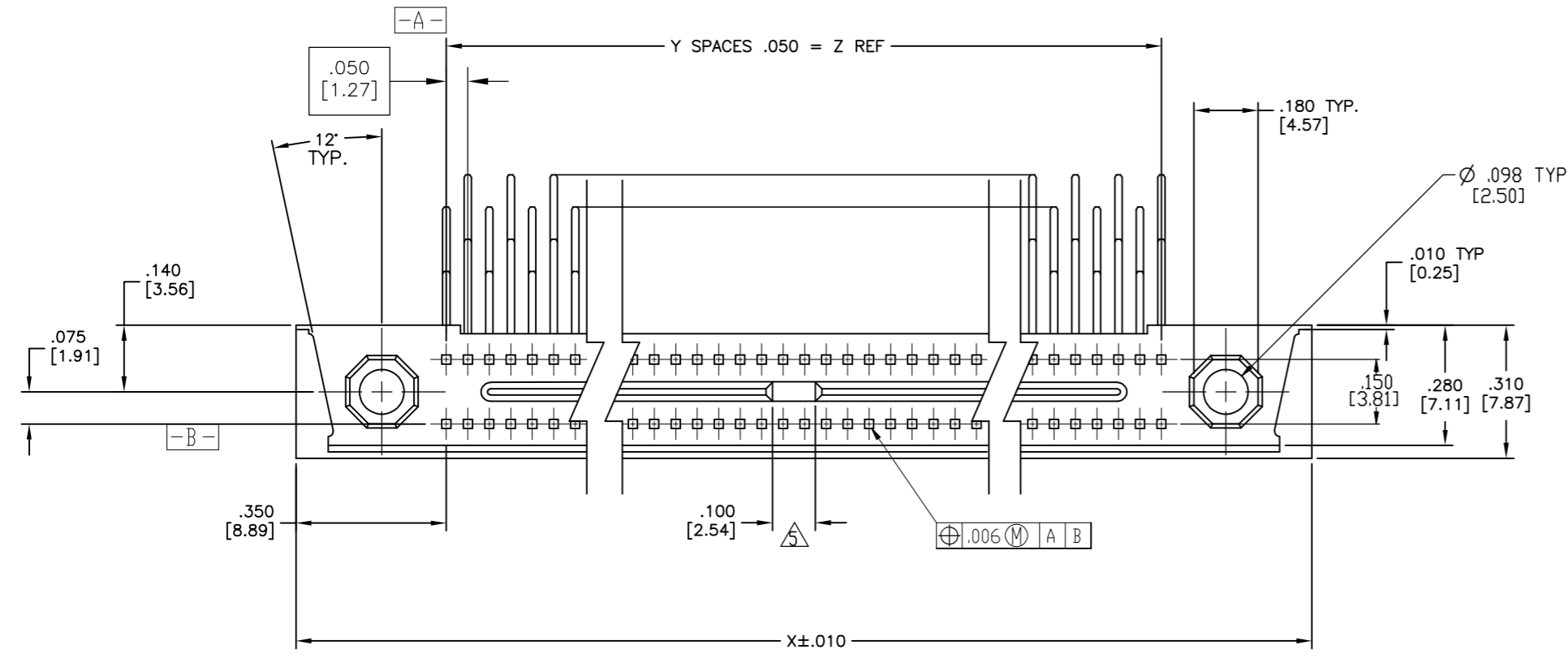
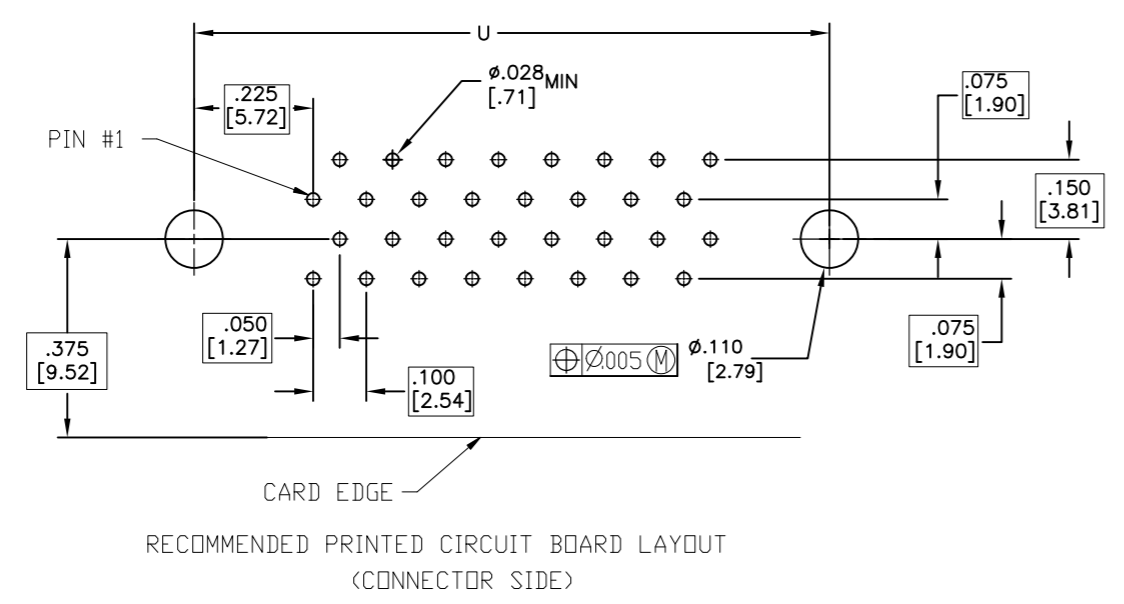


THIS DRAWING IS UNPUBLISHED. RELEASED FOR PUBLICATION  
 © COPYRIGHT - By - ALL RIGHTS RESERVED.

REVISIONS				
P	LTR	DESCRIPTION	DATE	APVD
F		REV PER ECO 16-007588	6-13-16	CT RL



- △ MARK AMP, PART NO., DATE CODE
- △ NUMBERS INDICATING END POSITIONS MARKED THIS SIDE ONLY.
- △ .000030 GOLD IN CONTACT AREA, SELECTIVE OVER NICKEL TIN ON CONTACT TAILS. CONTACT MATL: BRASS.
- △ HOUSING MATERIAL: LIQUID CRYSTAL POLYMER PER MIL-M-24519, GLCP-30F; COLOR: GRAY.
- △ FEATURE NOT PRESENT IN 20 THRU 50 POSITION.



1-10	.450 [11.43]	9	1.150 [29.21]	.900 [22.86]	20	1-530733-1
1-15	.700 [17.78]	14	1.400 [35.56]	1.150 [29.21]	30	1-530733-0
1-64	3.150 [80.01]	63	3.850 [97.79]	3.600 [91.44]	128	530733-9
1-55	2.700 [68.58]	54	3.400 [86.36]	3.150 [80.01]	110	530733-8
1-50	2.450 [62.23]	49	3.150 [80.01]	2.900 [73.66]	100	530733-7
1-45	2.200 [55.88]	44	2.900 [73.66]	2.650 [67.31]	90	530733-6
1-40	1.950 [49.53]	39	2.650 [67.31]	2.400 [60.96]	80	530733-5
1-35	1.700 [43.18]	34	2.400 [60.96]	2.150 [54.61]	70	530733-4
1-30	1.450 [36.83]	29	2.150 [54.61]	1.900 [48.26]	60	530733-3
1-25	1.200 [30.48]	24	1.900 [48.26]	1.650 [41.91]	50	530733-2
1-20	.950 [24.13]	19	1.650 [41.91]	1.400 [35.56]	40	530733-1
△	Z	Y	X	U	NO OF CONTACTS	PART NO.

THIS DRAWING IS A CONTROLLED DOCUMENT.

DWN	T.WIEST	9-12-89
CHK	D.GUTTER	11-20-91
APVD	D.GUTTER	11-20-91
PRODUCT SPEC		
APPLICATION SPEC		
WEIGHT	0	
CUSTOMER DRAWING		

**STE** TE Connectivity

ASSEMBLY, PIN HEADER, MINI-BOX RIGHT ANGLE

SIZE: A2 CAGE CODE: 00779 DRAWING NO: C=530733 RESTRICTED TO: -

SCALE: NTS SHEET: 1 OF 1 REV: F

## X-ON Electronics

Largest Supplier of Electrical and Electronic Components

*Click to view similar products for te connectivity manufacturer:*

Other Similar products are found below :

[570416-000](#) [CLTEQ-M81CE-SSRELAY-4-20V](#) [4-1633138-8](#) [D38999/24FJ4AN](#) [4-1195131-0](#) [650069-000](#) [SMD100-2](#) [2EDL4CM](#)  
[DTS20W19-11PD-3028](#) [DTS20W19-11PD-3028-LC](#) [DTS20W19-32SD-3028-LC](#) [DTS20W19-32SD-3028](#) [NC6-P104-06](#) [TXR64AB90-](#)  
[3616AI](#) [DTS26F21-41HE](#) [DTS26F21-41AE](#) [DTS26F21-41PE-LC](#) [DTS26F21-11SE-3028-LC](#) [D38999/24WF32JE](#) [D38999/24WF32SE-LC](#)  
[DTS24W19-32HE](#) [D38999/20JB35HA](#) [D38999/24WJ20PA](#) [164-8033-08](#) [D38999/24FF32JE](#) [D38999/24FF32SE-LC](#) [D38999/24WF32JB](#)  
[D38999/24WG11HA](#) [D38999/24WG11HN](#) [MS27467T21F11H](#) [DJT16E21-11HA](#) [DTS24F19-32HE](#) [DTS20W19-32SA-3028-LC](#) [DTS24F19-](#)  
[11SC-3028-LC](#) [DTS24F19-11SC-3028](#) [DJT14E13-98HB](#) [D38999/20WC8BB](#) [1-330599-5](#) [DTS24F21-41HN-LC](#) [DTS24F21-41HN](#)  
[DTS24F21-41AN](#) [DTS24F21-39HN](#) [DTS24F21-41PN-LC](#) [AFD50-10-6SN-1A-LC](#) [DJT10F17-26HC](#) [DTS24W19-32HB](#) [ACT20JE99HA](#)  
[DJT10E17-26HC](#) [DJT10E17-26HN](#) [DJT10F17-26HA](#)