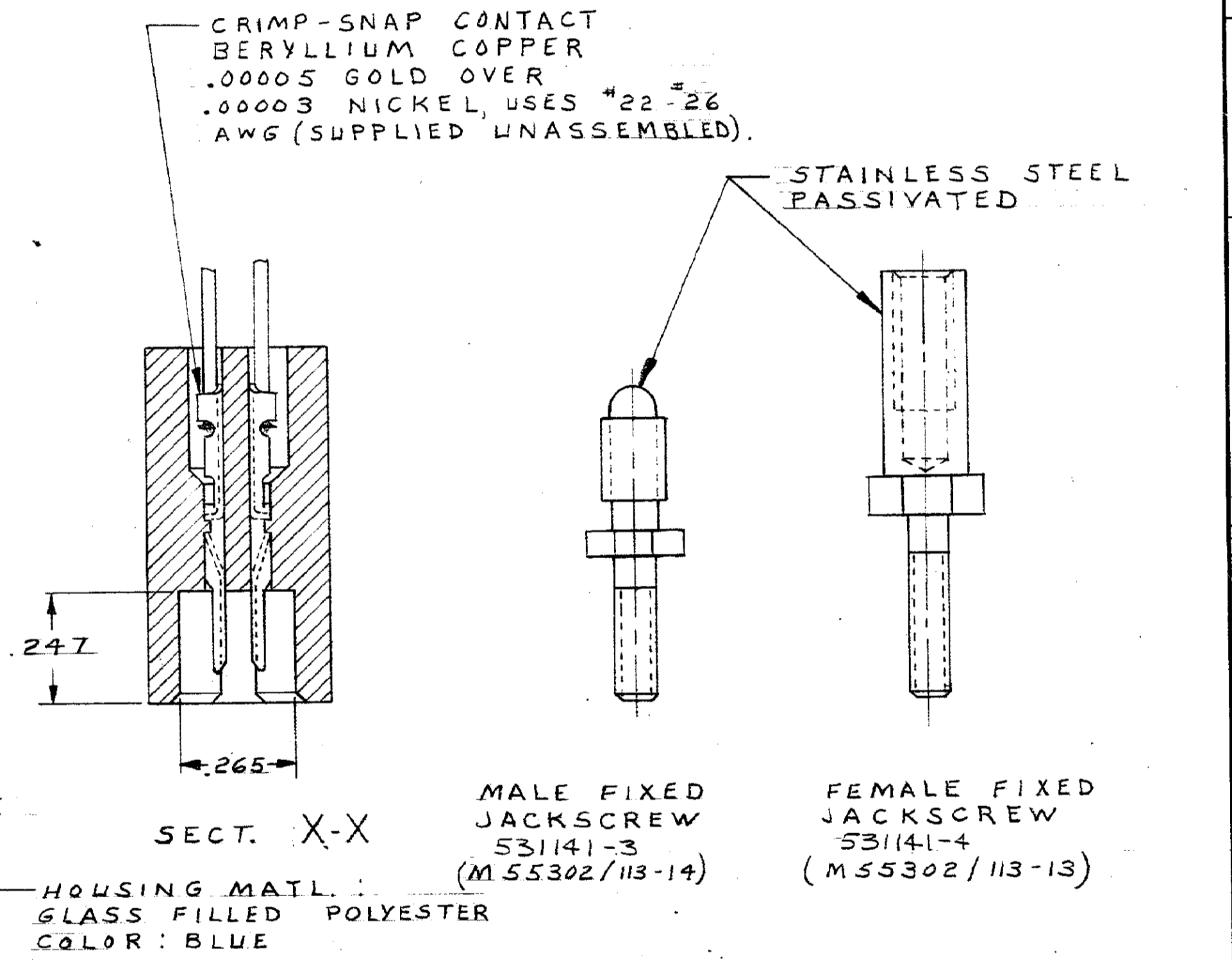
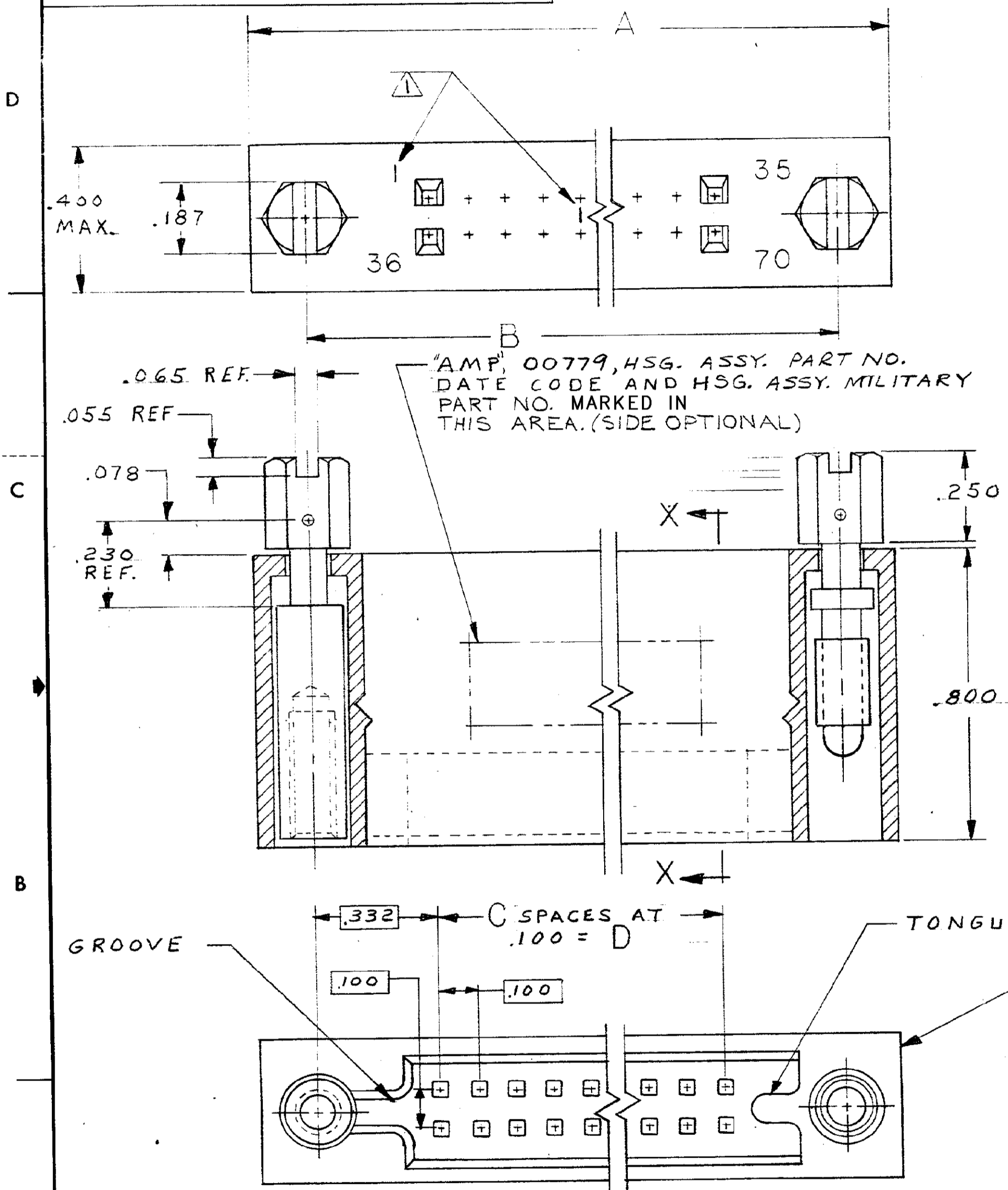


DRAWING MADE IN THIRD ANGLE PROJECTION

© COPYRIGHT 1976 BY AMP INCORPORATED, HARRISBURG, PA.  
 ALL INTERNATIONAL RIGHTS RESERVED. AMP INCORPORATED PRODUCTS  
 COVERED BY U. S. AND FOREIGN PATENTS AND/OR PATENTS PENDING.

LOC		DIST	
DF		FC	
REVISIONS			
P	F	ZONE	LTR
DESCRIPTION			DATE
F ECO-08-020831			PY 10-08
APPROVED			
BW			



1. NUMBERS, SEE TABLE, AND LINES INDICATING EVERY FIVE CAVITIES MARKED IN AREA SHOWN
2. MEETS PERFORMANCE REQUIREMENTS OF MIL-C-55302.
3. MATES WITH EXTERNAL KEY TYPE RECEPTACLE ASSY. 1000 SERIES, WHICH USES THE FIXED JACKSCREWS AND NUTS FOR FASTENING.
4. EACH KIT CONTAINS:
- A. 1 HOUSING ASSY. WITH TURNABLE JACKSCREWS (SEE CHART).
  - B. 2 FIXED JACKSCREWS (MALE AND/OR FEMALE) TO MATE WITH TURNABLE JACKSCREWS.
  - C. CONTACTS IN LOOSE PIECE FORM. (QTY. IS NUMBER OF POS. +5 EXTRA.)
  - D. 2 # 2-56 STAINLESS NUTS (NOT SHOWN) FOR FIXED JACKSCREWS.

UNLESS OTHERWISE SPECIFIED DIMENSIONS ARE IN INCHES. TOLERANCES ON: DECIMALS ±.010 ANGLES ±.010		CONTRACT NO. DR <i>M. Smith</i> 5-5-78 CHK <i>R. D. ...</i> 5-10-78		PART NO.	
MATERIAL SEE CALLOUT		APPD <i>R. D. ...</i> 5-11-78 APPD <i>R. Showman</i> 5-26-78		NAME CRIMP-SNAP BOX CONTACT, PIN HEADER KIT.	
FINISH SEE CALLOUT		DSGN APPD		SIZE CODE IDENT NO DRAWING NO C 00779 530755	
		OTHER APPD		REV F	
		SCALE		SHEET 1 OF 2	

CUSTOMER DRAWING

MADE IN THIRD ANGLE PROJECTION

COPYRIGHT 1976 BY AMP INCORPORATED, HARRISBURG, PA.  
ALL INTERNATIONAL RIGHTS RESERVED. AMP INCORPORATED PRODUCTS  
COVERED BY U. S. AND FOREIGN PATENTS AND/OR PATENTS PENDING.

REVISIONS						
P	F	ZONE	LTR	DESCRIPTION	DATE	APPROVED
				SEE SHEET 1		

M55302/113-75	M	M										3-530755-6
↑	F	M	1	50	4.900	49	5.565	5.855	100			3- -5
↑	M	F	51	100								3- -4
	F	F										3- -3
	M	M										3- -2
	F	M	1	45	4.400	44	5.065	5.355	90			3- -1
	M	F	46	90								3- -0
	F	F										2- -9
	M	M										2- -8
	F	M	1	40	3.900	39	4.565	4.855	80			2- -7
	M	F	41	80								2- -6
	F	F										2- -5
	M	M										2- -4
	F	M	1	30	2.900	29	3.565	3.855	60			2- -3
	M	F	31	60								2- -2
	F	F										2- -1
	M	M										2- -0
	F	M	1	25	2.400	24	3.065	3.355	50			1- -9
	M	F	26	50								1- -8
	F	F										1- -7
	M	M										1- -6
	F	M	1	20	1.900	19	2.565	2.855	40			1- -5
	M	F	21	40								1- -4
	F	F										1- -3
	M	M										1- -2
	F	M	1	15	1.400	14	2.065	2.355	30			1- -1
	M	F	16	30								1- -0
	F	F										-9
	M	M										-8
	F	M	1	55	5.400	54	6.065	6.355	110			-7
	M	F	56	110								-6
	F	F										-5
	M	M										-4
	F	M	1	35	3.400	34	4.065	4.355	70			-3
	M	F	36	70								-2
	F	F										-1

M55302/113-01	TONGUE END GROOVE END	CAVITY IDENT.	"D"	"C"	"B"	"A"	POS.	PART NO
MILITARY PART NO.	TURNABLE JACKSCREW IN HOUSING ASSY.	CONTRACT NO						
	TOLERANCES ON: DECIMALS ± ANGLES ±	DR <i>M. Smith</i> 4-28-78	AMP INCORPORATED Harrisburg, Pa.					
	MATERIAL	CHK <i>R. DeWine</i> 5-10-78	NAME CRIMP-SNAP BOX CONTACT, PIN HEADER KIT.					
	FINISH	APPD <i>R. Spurnen</i> 5-26-78	SIZE	CODE IDENT NO	DRAWING NO	REV		
		DSGN APPD	C	00779	530755	F		
		OTHER APPD	SCALE			SHEET	2 OF 2	

## X-ON Electronics

Largest Supplier of Electrical and Electronic Components

*Click to view similar products for [TE Connectivity](#) manufacturer:*

Other Similar products are found below :

[D38999/24FJ4AN](#) [570416-000](#) [CLTEQ-M81CE-SSRELAY-4-20V](#) [4-1195131-0](#) [650069-000](#) [SMD100-2](#) [358838-000](#) [CB-1022B-78](#)  
[RM707012](#) [RP410012](#) [MMS42](#) [1-640426-8](#) [2EDL4CM](#) [DTS20W19-11PD-3028-LC](#) [RM202615](#) [NC6-P104-06](#) [MSPS103B](#) [DTS26F21-](#)  
[41HE-LC](#) [DTS26F21-41AE](#) [DTS26F21-41PE-LC](#) [DTS26F21-11SE-3028-LC](#) [30DCB6](#) [1932144-1](#) [293545-4](#) [LVR125S](#) [MS27466T25F4PB](#)  
[CKB-38-78010](#) [TR04AI-TINELLOCKRING](#) [1206SFF150F/63-2](#) [D38999/20JB35HA](#) [TE1500A2R2J](#) [D38999/20WC8BB](#) [DTS24F19-11SC-](#)  
[3028-LC](#) [D38999/24WG11HA](#) [D38999/24WG11HN](#) [MS27467T21F11H](#) [DJT16E21-11HA](#) [MS27467T21F35J](#) [MS27467T21F11J](#)  
[MS27467T21F16H-LC](#) [MS27467T21F35H](#) [MS27467T21F41H-LC](#) [1206SFH150F/24-2](#) [RP330024](#) [DJT16E21-11PA-LC](#) [DJT16E21-11HA-](#)  
[LC](#) [DJT16E21-11AA](#) [MS27467T21B11JA](#) [DJT16E21-11JA](#) [MS27467T21B11JA-LC](#)