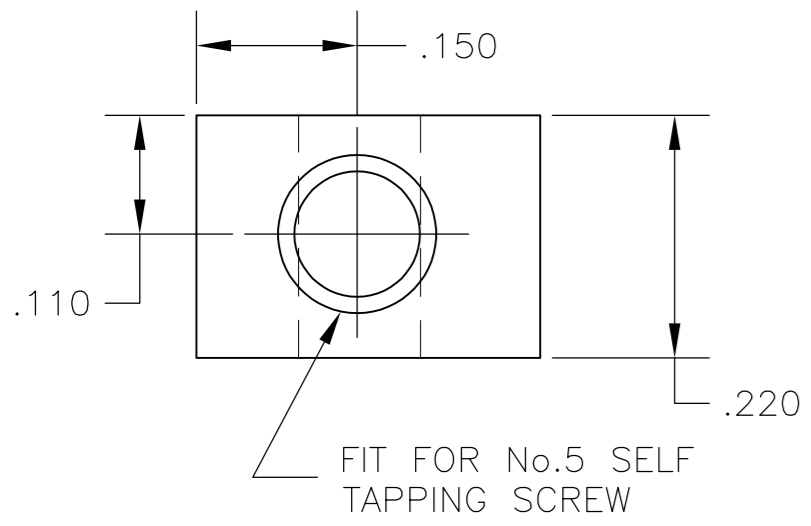
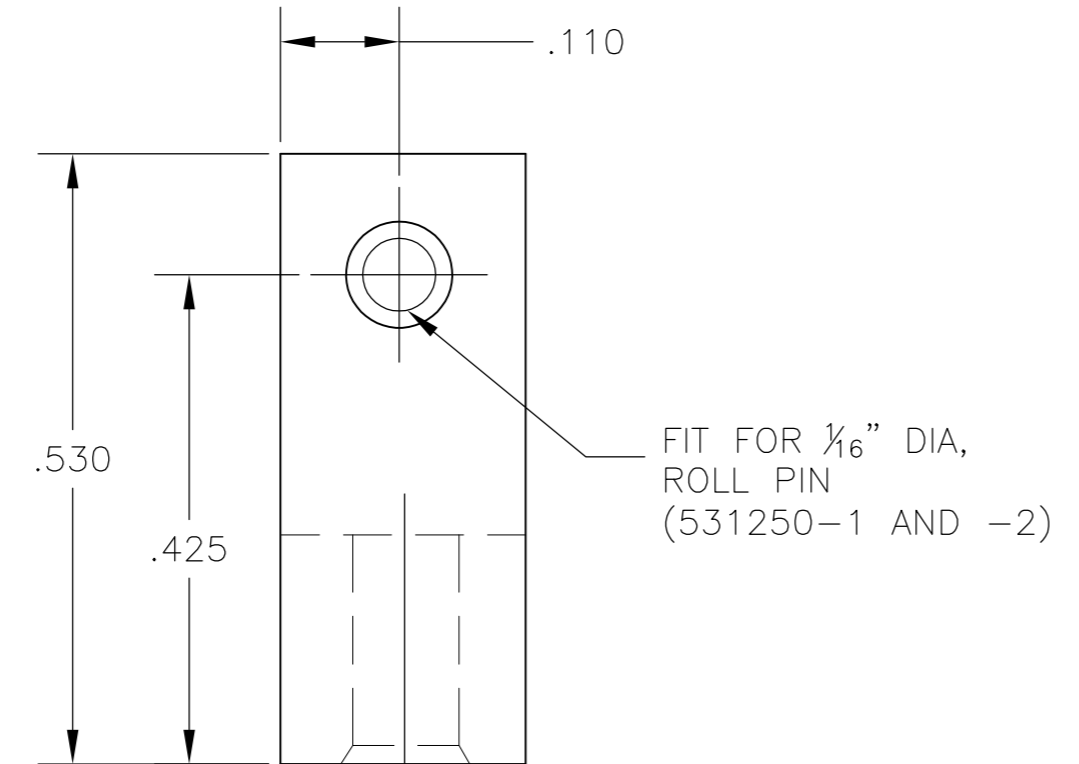
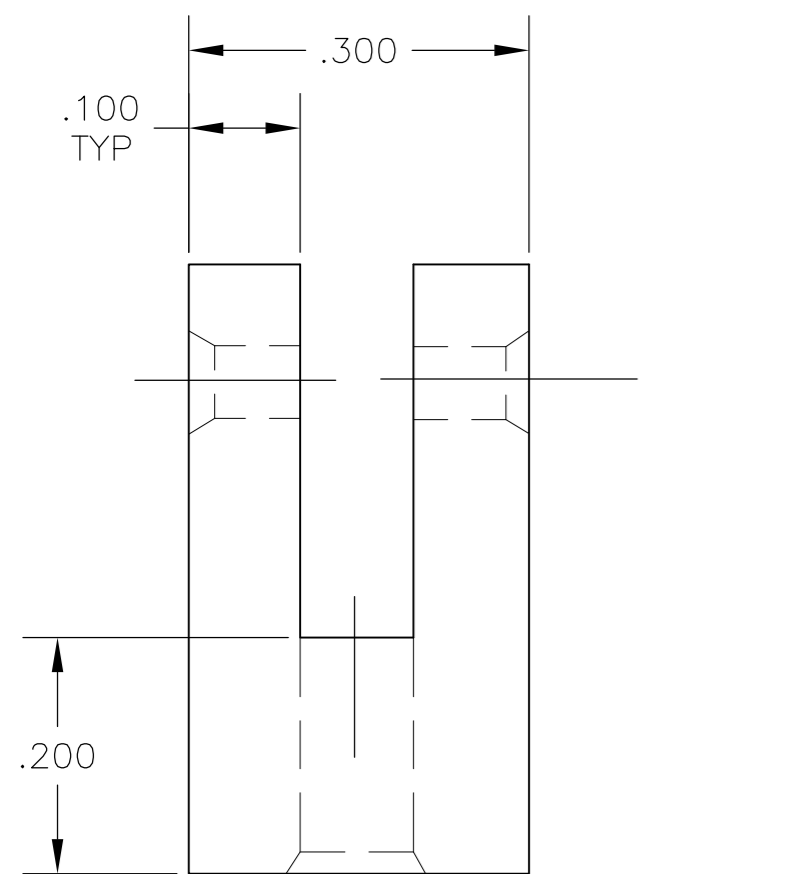
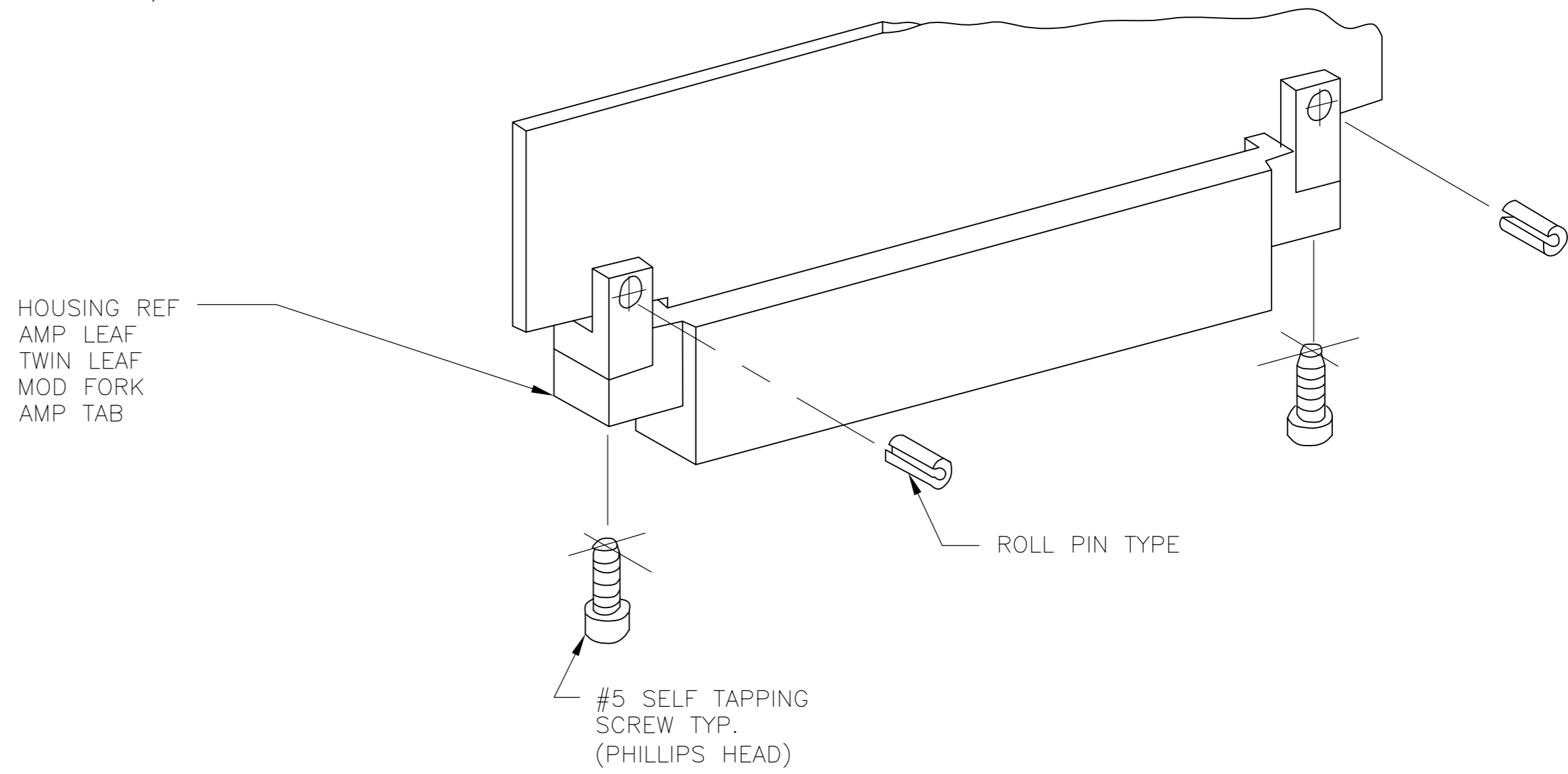


THIS DRAWING IS UNPUBLISHED. RELEASED FOR PUBLICATION
 © COPYRIGHT - By - ALL RIGHTS RESERVED.

LOC		DIST		REVISIONS			
P	LTR	DESCRIPTION		DATE	DWN	APVD	
AD	00	H1	REVISED PER ECO-13-014537	13SEP2013	KH	MM	



- SUPERSEDED $\triangle 1$ 531250-1 KIT INCLUDES: 2=531250-2, 2=SCREWS #5 X $\frac{3}{8}$ ",
2=ROLL PINS $\frac{1}{16}$ " X $\frac{1}{4}$ "
- $\triangle 2$ 531250-2 AS SHOWN (BOARD RETAINER ONLY)
- OBSOLETE $\triangle 3$ 530250-3 KIT: SAME AS 530250-2 EXCEPT HOLE DIA IS .125 IN PLACE OF
FIT FOR $\frac{1}{16}$ " ROLL PIN
- SUPERSEDED $\triangle 4$ 530250-4 KIT INCLUDES: 2=531250-2, 2=SCREWS #5 X $\frac{7}{16}$ ",
2=ROLL PINS $\frac{1}{16}$ " X $\frac{1}{4}$ "
- $\triangle 5$ 5-530250-4 KIT (LEAD FREE) INCLUDES: 2=531250-2, 2 SCREWS #5 X $\frac{7}{16}$ ",
2=ROLL PINS $\frac{1}{16}$ " X $\frac{1}{4}$ "



SUPERSEDED BY 5-531250-4	$\triangle 5$	5-531250-4
	$\triangle 4$	531250-4
OBSOLETE	$\triangle 3$	531250-3
	$\triangle 2$	531250-2
SUPERSEDED BY 5-531250-4	$\triangle 1$	531250-1
		DESCRIPTION
		PART NO

THIS DRAWING IS A CONTROLLED DOCUMENT.		DWN	11JULY78	
DIMENSIONS: INCHES		CHK	A.M.SHARPE	
TOLERANCES UNLESS OTHERWISE SPECIFIED:		APVD	RACILLA	
0 PLC ± -		PRODUCT SPEC	NAME	
1 PLC ± -		APPLICATION SPEC	BOARD RETAINER, CARD EDGE, I/O CONN	
2 PLC ± -		WEIGHT	SIZE	CAGE CODE
3 PLC ± .010		FINISH	A2	00779
4 PLC ± -		MATERIAL	DRAWING NO	RESTRICTED TO
ANGLES ± -		NYLON	C=531250	-
FINISH -		CUSTOMER DRAWING		SCALE
		6:1		SHEET
		1 of 1		REV
		H1		

531250

A

X-ON Electronics

Largest Supplier of Electrical and Electronic Components

Click to view similar products for [Standard Card Edge Connectors](#) category:

Click to view products by [TE Connectivity](#) manufacturer:

Other Similar products are found below :

[6565204-6](#) [PKC-156](#) [1437274-4](#) [147889-1](#) [1489165-4](#) [1-582587-1](#) [1-582589-1](#) [2-6437275-9](#) [284-0102-12100](#) [306022901000000](#) [307-012-502-202](#) [307-024-526-201](#) [307-056-520-300](#) [307-080-526-208](#) [245-062-520-350](#) [287-0032-12101](#) [306-028-525-102](#) [306-240-318](#) [307-036-502-202](#) [307-036-521-301](#) [307-072-526-202](#) [345-060-559-303](#) [368-004-520-201](#) [392-008-559-201](#) [534671-1](#) [5-530501-5](#) [341-240-317](#) [345-029-520-300](#) [345-030-500-301](#) [345-044-500-300](#) [345-220-058](#) [346-240-318](#) [357-030-526-201](#) [387-012-523-300](#) [395-044-520-300](#) [395-100-524-300](#) [50-12B-10](#) [50-6SN-5](#) [09-07-2032](#) [10035388-106LF](#) [10035388-802LF](#) [10122859-009LF](#) [530555-1](#) [EBT156-15A2X](#) [2007209-1](#) [5-678046-1](#) [1766200-1](#) [650231-6](#) [650289-1](#) [73726-0005](#)