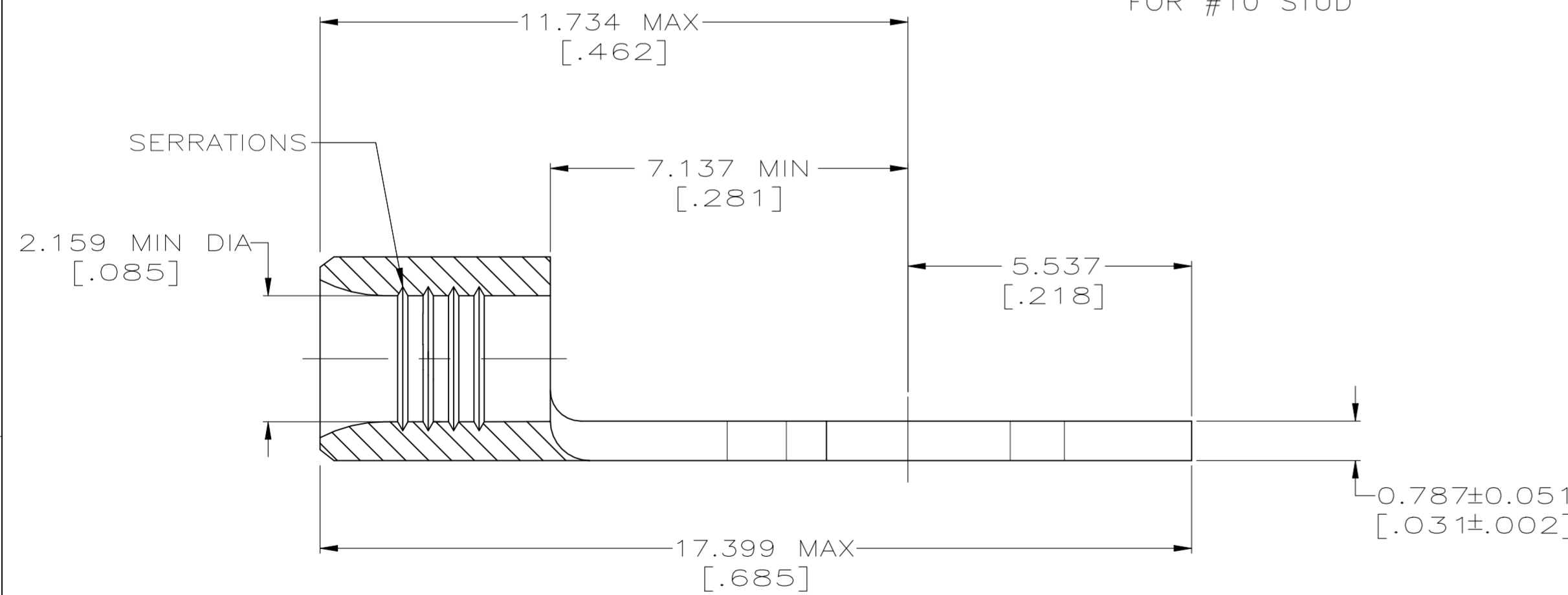
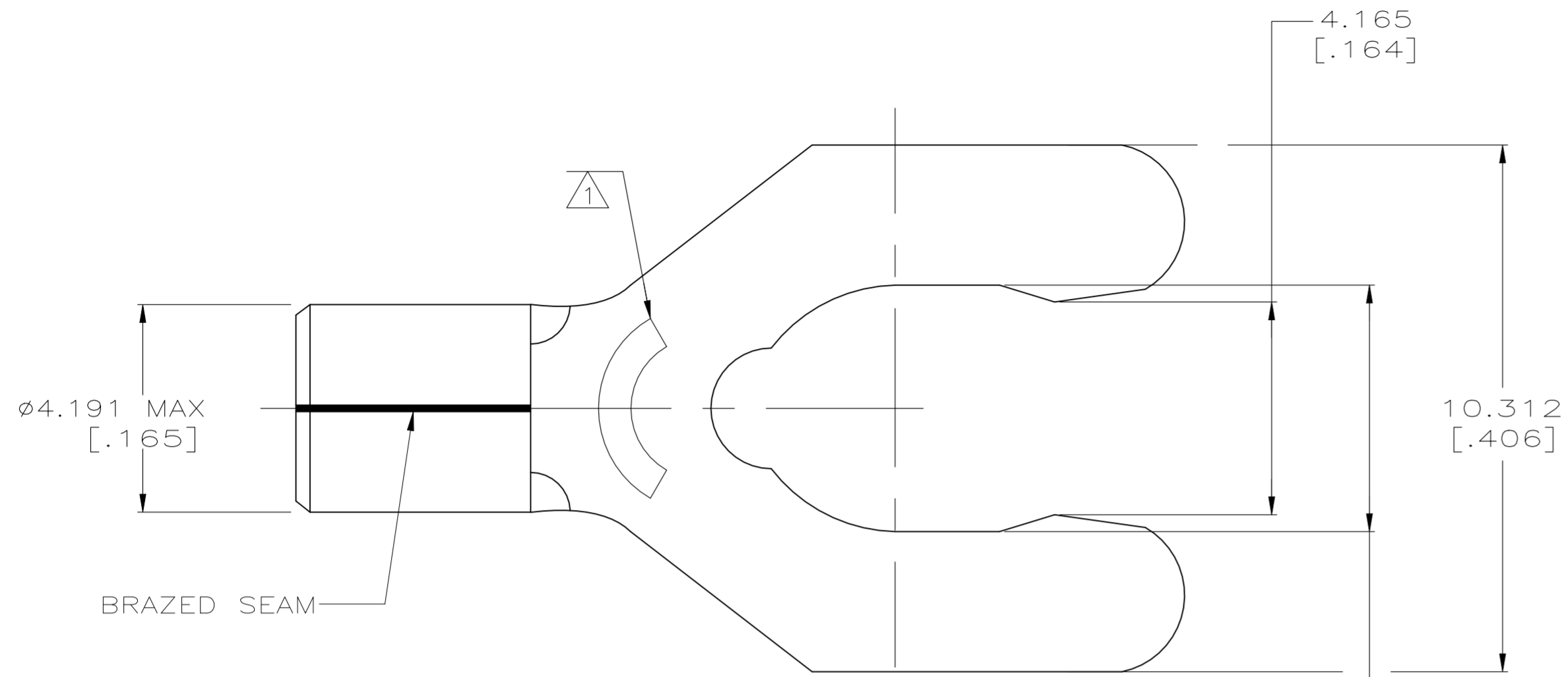


REVISIONS					
P	LTR	DESCRIPTION	DATE	DWN	APVD
D2		REV PER ECO-21-000982	25JAN2021	RK	DR



AMP WIRE RANGE	E13288 Listed	LR7189 Certified
16-14 AWG SOLID OR STRANDED	16-14 AWG SOLID OR STRANDED	16-14 AWG SOLID OR STRANDED

- 1 STAMP 10S AMP 16 - 14* APPROX AS SHOWN
10S INDICATES STUD SIZE
- 2. RECOMMENDED OPERATING TEMPERATURE: 170°C [338°F] MAX
- 3. WIRE CROSS SECTIONAL AREA RANGE: 1.04-2.62mm²
[2,050-5,180 CIRCULAR MIL AREA] STRANDED
- 4 MATERIAL: PHOSPHOR BRONZE PER ASTM B-103,
ANNEALED
- 5 FINISH: TIN PLATE 0.00254 [.000100] MIN THK
PER ASTM-B545

	100	LOOSE PIECE, BOX	8-53125-1
PRELIMINARY	5000	TAPE AND REEL WITH INTERLEAVE	53125-3
	5000	ON TAPE	53125-2
	1000	LOOSE PIECE	53125-1
	QTY	PACKAGING TYPE	PART NUMBER

THIS DRAWING IS A CONTROLLED DOCUMENT.		DWN R.GRZYBOWSKI 19APR2010	TE Connectivity	
DIMENSIONS: mm [INCHES]		CHK T.MICHIELUTI 19APRIL2010		
TOLERANCES UNLESS OTHERWISE SPECIFIED:		APVD M.PECHERKE 19APRIL2010	NAME TERMINAL, SHORT SPRING SPADE SOLISTRAND, 16-14 AWG	
0 PLC ± -	1 PLC ± -	PRODUCT SPEC UL 486A-B	SIZE A2	CAGE CODE 00779
2 PLC ± -	3 PLC ± 0.127 [.005]	APPLICATION SPEC	DRAWING NO C=53125	RESTRICTED TO -
4 PLC ± -	ANGLES ± -	MATERIAL 	WEIGHT -	SCALE 10:1
		FINISH 	CUSTOMER DRAWING	SHEET 1 OF 1
			REV D2	

53125

X-ON Electronics

Largest Supplier of Electrical and Electronic Components

Click to view similar products for [Terminals](#) category:

Click to view products by [TE Connectivity](#) manufacturer:

Other Similar products are found below :

[00-054007-01074-6](#) [00-054007-70206-1](#) [00-054007-70210-8](#) [00-054007-70217-7](#) [00-054007-70226-9](#) [00-054007-70228-3](#) [00-054007-70248-1](#) [00-054007-70256-6](#) [00-054007-70301-3](#) [00-054007-70316-7](#) [0-0320562-0](#) [00-054007-49560-4](#) [00-054007-70209-2](#) [00-054007-70225-2](#) [00-054007-70227-6](#) [00-054007-70231-3](#) [00-054007-70241-2](#) [00-054007-70242-9](#) [00-054007-70244-3](#) [00-054007-70246-7](#) [00-054007-70263-4](#) [00-054007-70288-7](#) [00-054007-70290-0](#) [00-054007-70300-6](#) [00-054007-70304-4](#) [01-2065-1-0216](#) [01-2900-1-04412](#) [00581P0075](#) [600TS-10](#) [60205-1](#) [604200-1](#) [605601-1](#) [60598-1-CUT-TAPE](#) [61314-6-C](#) [61810-3](#) [61-S](#) [61-SN](#) [626-0194](#) [62-NBM-A](#) [62-SN](#) [62-SP](#) [63-S](#) [640179-1](#) [M55155/059I03](#) [M55155/079C01](#) [M55155/099H02](#) [M55155/109H01](#) [M55155/109H02](#) [M55155/12XH05](#) [M55155/16XH02](#)