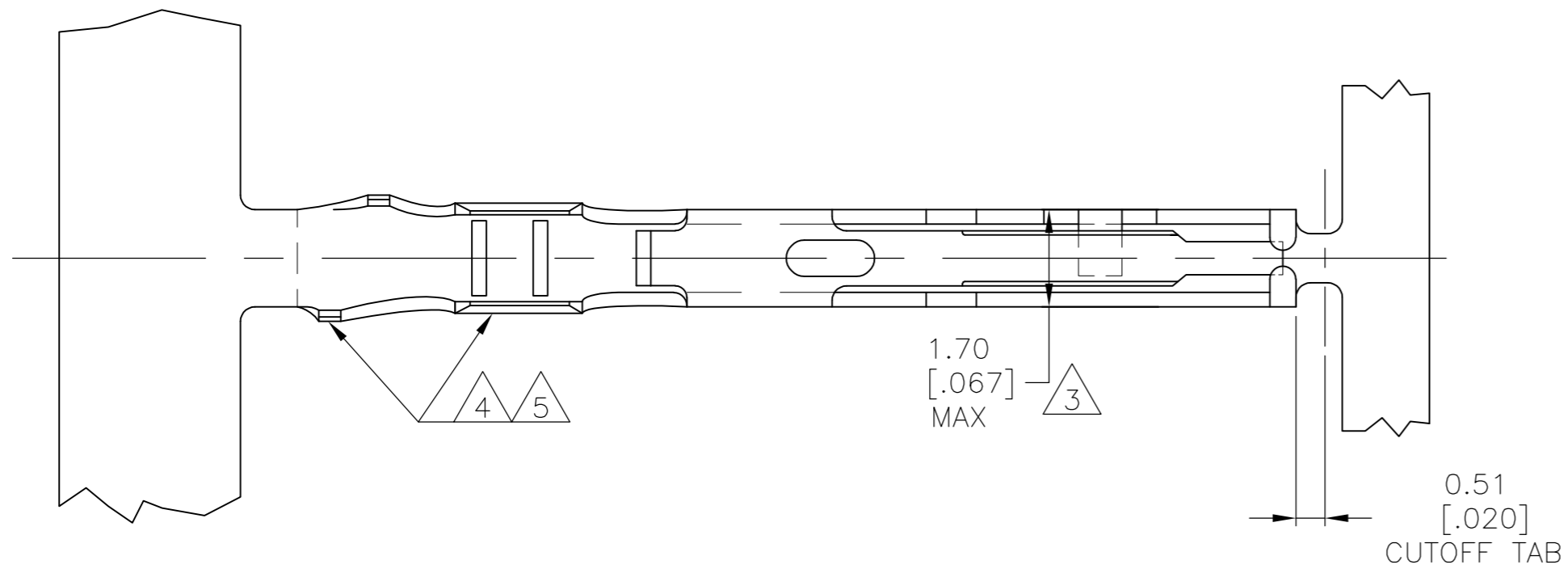
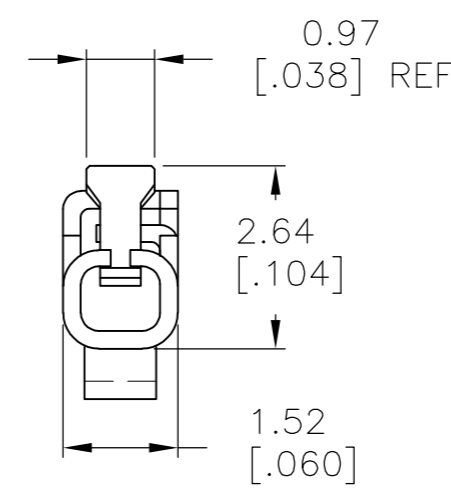
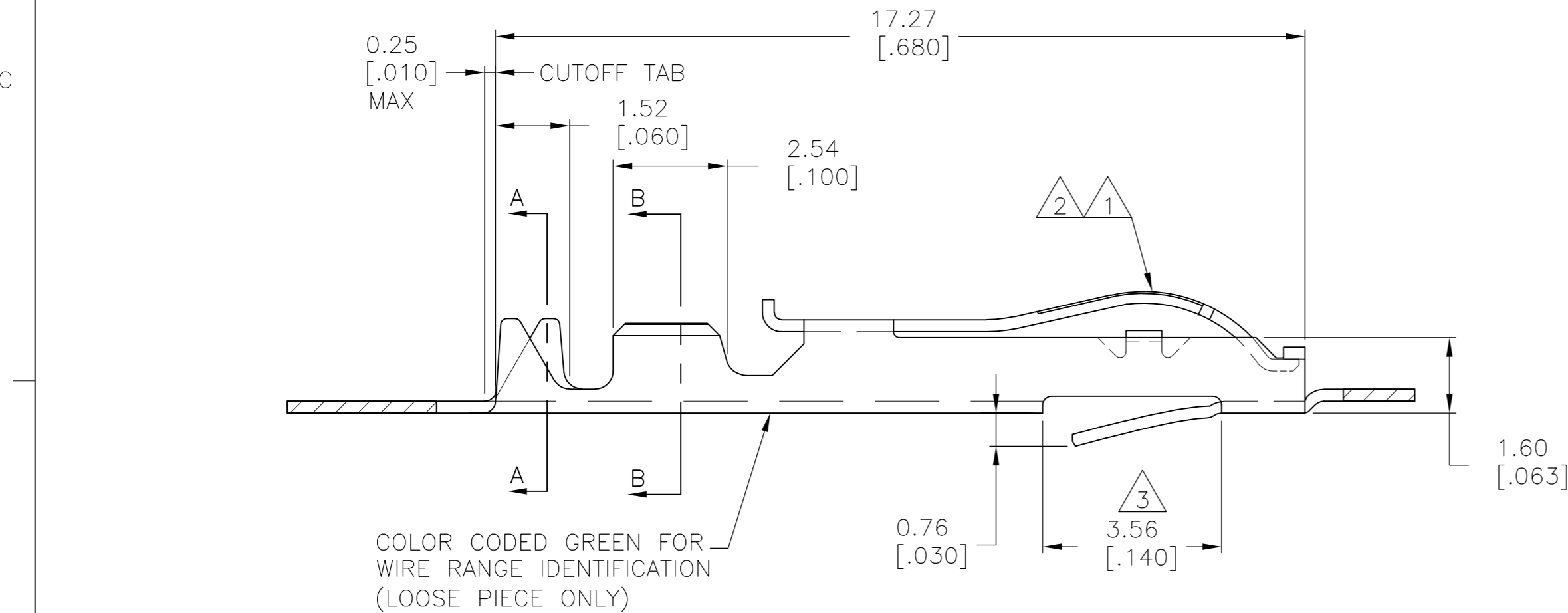


THIS DRAWING IS UNPUBLISHED. RELEASED FOR PUBLICATION
 © COPYRIGHT - By - ALL RIGHTS RESERVED.

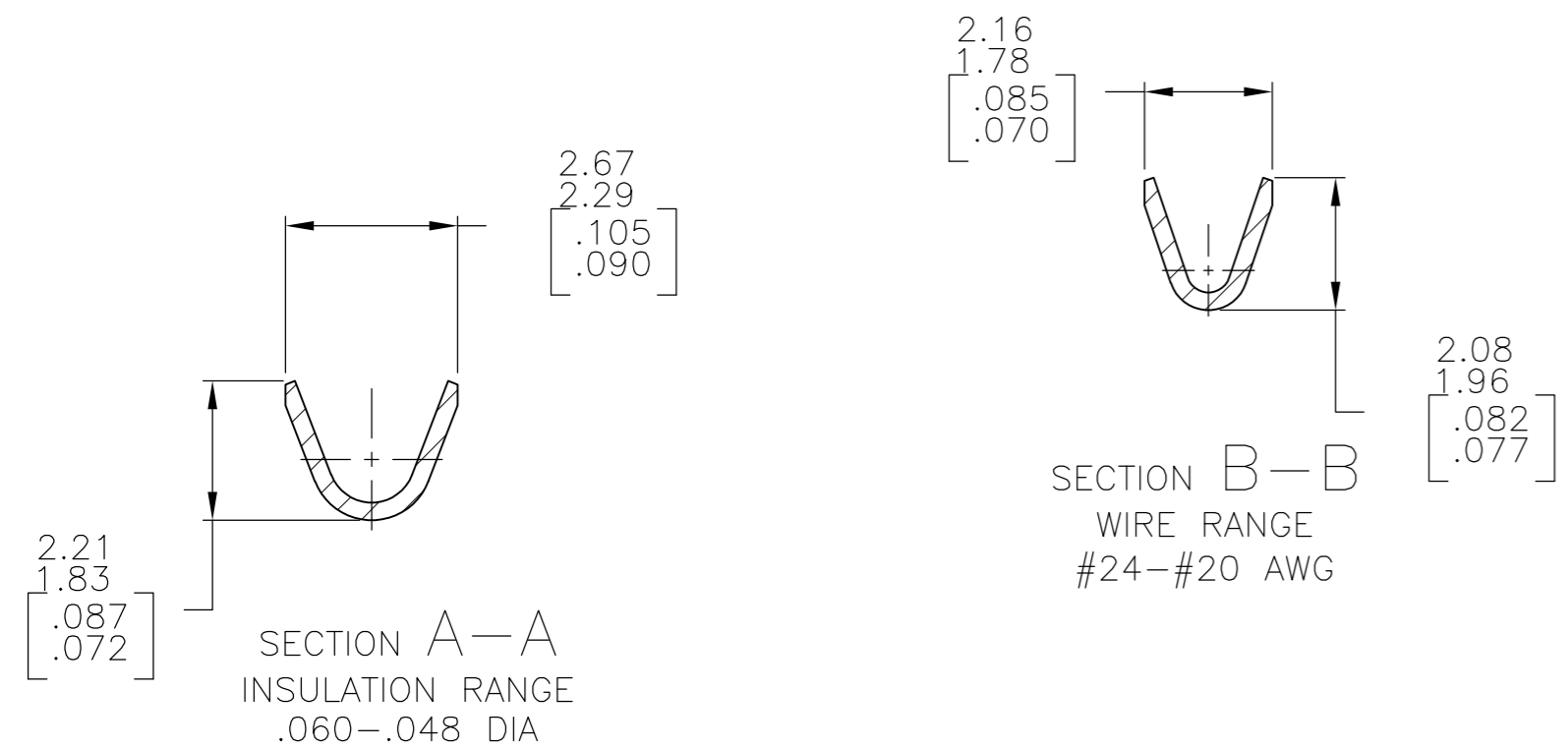
| LOC | | DIST | | REVISIONS | | | |
|-----|-----|-------------|--|---------------------------|---------|------|----|
| P | LTR | DESCRIPTION | | DATE | DWN | APVD | |
| AD | OO | K | | REVISED PER ECO-13-005696 | 01AUG13 | KH | MM |



- 1 .000030 GOLD OVER .000030 NICKEL IN CONTACT AREA.
- 2 .000015 GOLD OVER .000030 NICKEL IN CONTACT AREA.
- 3 .067 MAX ALLOWED IN LOCKING POSITION AREA FOR .140 REF LENGTH.
- 4 TIN-LEAD IN CRIMP AREA.
- 5 MATTE TIN PLATE IN CRIMP AREA.
- 6 OBSOLETE



COLOR CODED GREEN FOR WIRE RANGE IDENTIFICATION (LOOSE PIECE ONLY)



| | | |
|--------|-------------|-------------|
| 1 5 | 5-531477-5 | 5-531477-4 |
| 2 5 | 5-531477-3 | 5-531477-2 |
| 1 4 | 531477-5 | 531477-4 |
| 2 4 | 531477-3 | 531477-2 |
| FINISH | LOOSE PIECE | PART NUMBER |

| | | | | | | | | | | | | | | | | |
|--|-----|-------------------------------|-----------------|---------------|-----|-------|-----|-------|-----|-------|-----|--------|-----|--------------|--|--|
| THIS DRAWING IS A CONTROLLED DOCUMENT. | | DWN A. STAUB BG 02AUG93 | | | | | | | | | | | | | | |
| DIMENSIONS: mm [INCHES] | | CHK H ROSE 08FEB94 | | | | | | | | | | | | | | |
| TOLERANCES UNLESS OTHERWISE SPECIFIED: | | APVD H ROSE 08FEB94 | NAME | | | | | | | | | | | | | |
| <table border="1"> <tr><td>0 PLC</td><td>± -</td></tr> <tr><td>1 PLC</td><td>± -</td></tr> <tr><td>2 PLC</td><td>± -</td></tr> <tr><td>3 PLC</td><td>± -</td></tr> <tr><td>4 PLC</td><td>± -</td></tr> <tr><td>ANGLES</td><td>± -</td></tr> </table> | | 0 PLC | ± - | 1 PLC | ± - | 2 PLC | ± - | 3 PLC | ± - | 4 PLC | ± - | ANGLES | ± - | PRODUCT SPEC | CONTACT, NON-BIFURBICATED CRIMP TWIN LEAF | |
| 0 PLC | ± - | | | | | | | | | | | | | | | |
| 1 PLC | ± - | | | | | | | | | | | | | | | |
| 2 PLC | ± - | | | | | | | | | | | | | | | |
| 3 PLC | ± - | | | | | | | | | | | | | | | |
| 4 PLC | ± - | | | | | | | | | | | | | | | |
| ANGLES | ± - | | | | | | | | | | | | | | | |
| MATERIAL PHOS BRONZE | | FINISH SEE TABLE | WEIGHT - | RESTRICTED TO | | | | | | | | | | | | |
| | | SCALE 10:1 | SHEET 1 of 1 | REV K | | | | | | | | | | | | |

X-ON Electronics

Largest Supplier of Electrical and Electronic Components

Click to view similar products for [Standard Card Edge Connectors](#) category:

Click to view products by [TE Connectivity](#) manufacturer:

Other Similar products are found below :

[CR7E-30DB-3.96E\(72\)](#) [6364499-1](#) [6565204-6](#) [PKC-156](#) [1437274-4](#) [147889-1](#) [1489165-4](#) [EBT15622B2X](#) [1-582587-1](#) [284-0102-12100](#)
[286-0052-12101A](#) [306022901000000](#) [307-012-502-202](#) [307-056-520-300](#) [2129318-1](#) [245-062-520-350](#) [287-0032-12101](#) [306-028-525-102](#)
[307-072-526-202](#) [345-060-559-303](#) [392-008-559-201](#) [534671-1](#) [341-240-317](#) [345-044-500-300](#) [346-240-318](#) [395-100-524-300](#) [09-07-2032](#)
[10035388-802LF](#) [10115859-011LF](#) [10122859-009LF](#) [10127905-B04B24BLF](#) [530555-1](#) [5-678046-1](#) [73726-0005](#) [66308-1](#) [1-1437275-6](#)
[PEC-07-02-T-S-A](#) [346-014-520-801](#) [307-048-502-202](#) [CE100F22-9-C](#) [CE100F26-7-C](#) [CE100F28-3-D](#) [CE156F18-9-C](#) [CE156F22-5-D](#)
[CE156F22-9-C](#) [CT100F22-2-D](#) [CT100F22-3-D](#) [CT100F24-2-D](#) [CT100F24-3-D](#) [CT100F24-6-C](#)