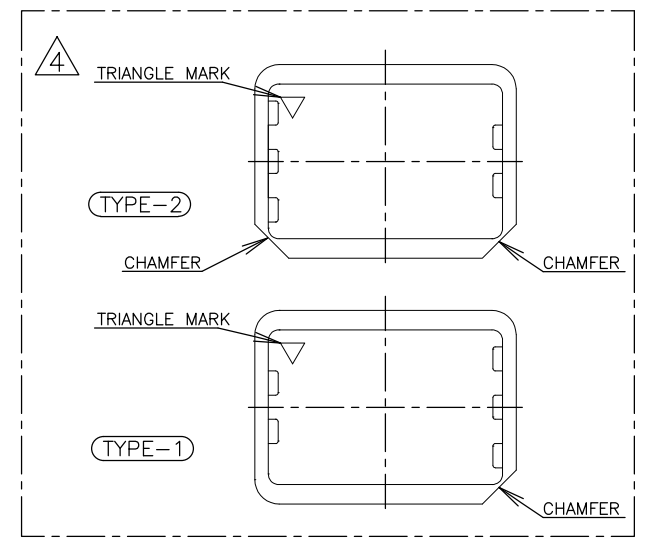
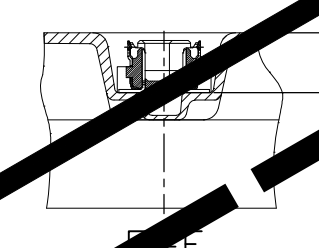
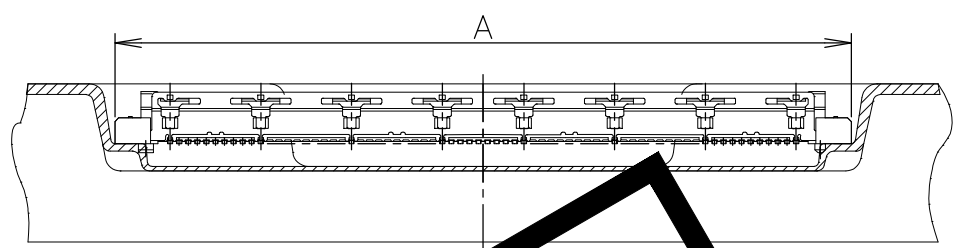
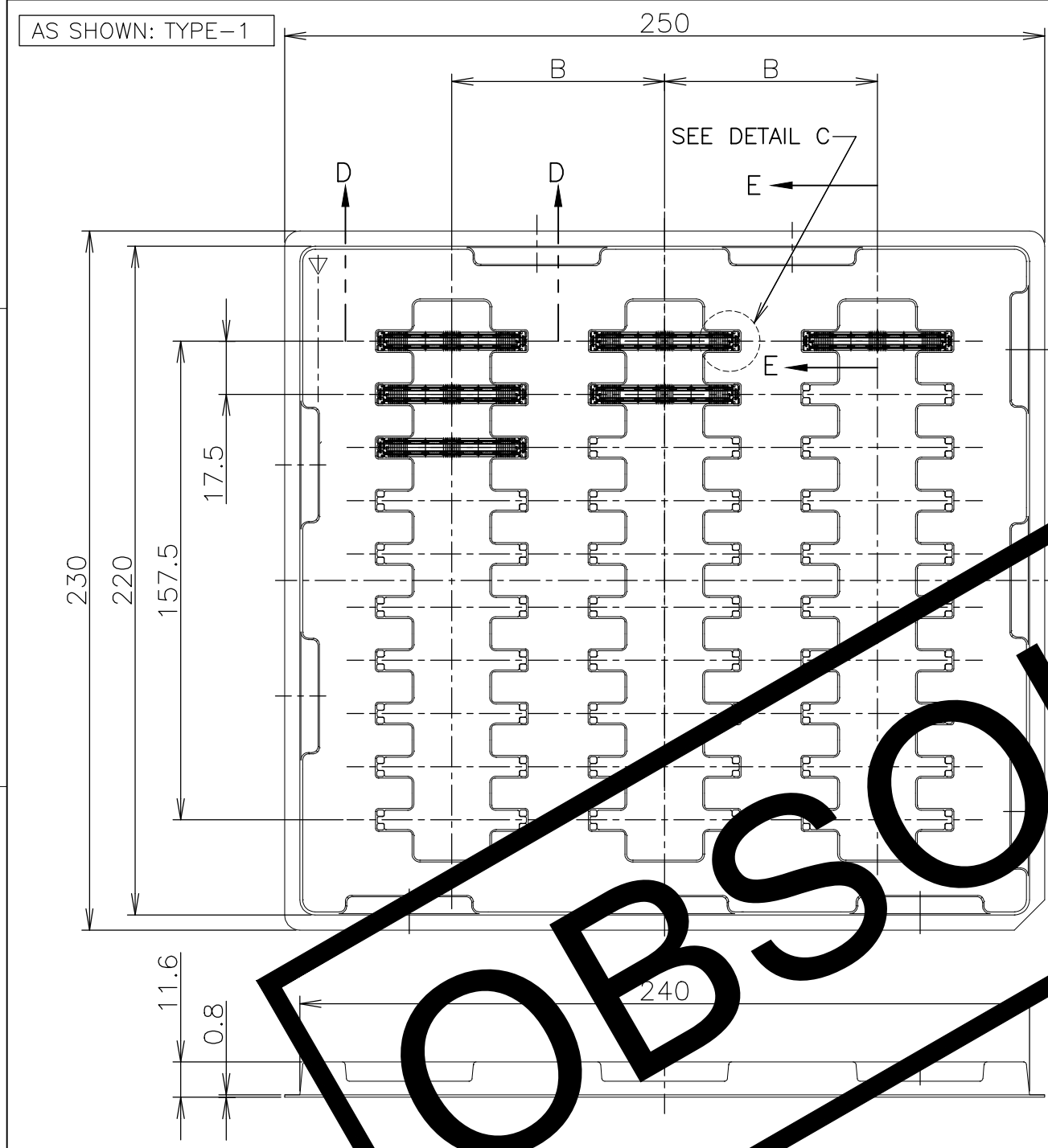


THIS DRAWING IS UNPUBLISHED. RELEASED FOR PUBLICATION MAY, 1995.
 © COPYRIGHT 1995 BY TYCO ELECTRONICS CORPORATION. ALL RIGHTS RESERVED.

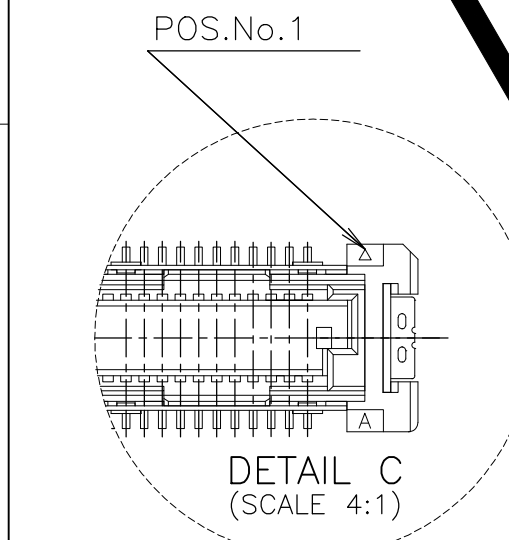
LOC	DIST	REVISIONS					
J		P	LTR	DESCRIPTION	DATE	DWN	APVD
		C		PER REVISED ECO-18-004710	22MAR18	R.L	H.L



OBSOLETE

SEALANT	TOOLING STATUS	ROW	QTY	B	A	POS.	TRAY P/N	PART NO.
AVAILABLE			30	70	54.7	160	912063-9	6-5316076-1
AVAILABLE					48.7	140	912063-8	6-0
NOT AVAILABLE					42.7	120	4-912065-9	5-9
					36.7	100	8-912066-2	5-8
		3	30	70	33.7	90	9-912066-6	5-7
		5	50	43	30.7	80	912067-3	5-6
					27.7	70	912063-1	5-5
NOT AVAILABLE					24.7	60	9-912066-5	5-4
AVAILABLE					21.7	50	9-912062-9	5-3
NOT AVAILABLE					18.7	40	9-912066-4	5-2
NOT AVAILABLE		5	50	43	15.7	30	9-912066-3	5-5316076-1
AVAILABLE		3	30	70	54.7	160	912063-9	1-5316076-1
AVAILABLE					48.7	140	912063-8	1-0
NOT AVAILABLE					42.7	120	4-912065-9	9
					36.7	100	8-912066-2	8
		3	30	70	33.7	90	9-912066-6	7
		5	50	43	30.7	80	912067-3	6
					27.7	70	912063-1	5
NOT AVAILABLE					24.7	60	9-912066-5	4
AVAILABLE					21.7	50	9-912062-9	3
NOT AVAILABLE					18.7	40	9-912066-4	2
NOT AVAILABLE		5	50	43	15.7	30	9-912066-3	5316076-1

OBS



4 TRIANGLE MARK TYPE-1 AND TYPE-2 MUST BE PAILED UP BY TURNS. (REFER TO PACKING SPECIFICATIONS)

GENERAL TOLERANCE
 一般公差
 10 : ±0.2
 30 ≥ 10 : ±0.25
 100 ≥ 30 : ±0.3
 ANGLES : ±3°

THIS DRAWING IS A CONTROLLED DOCUMENT.

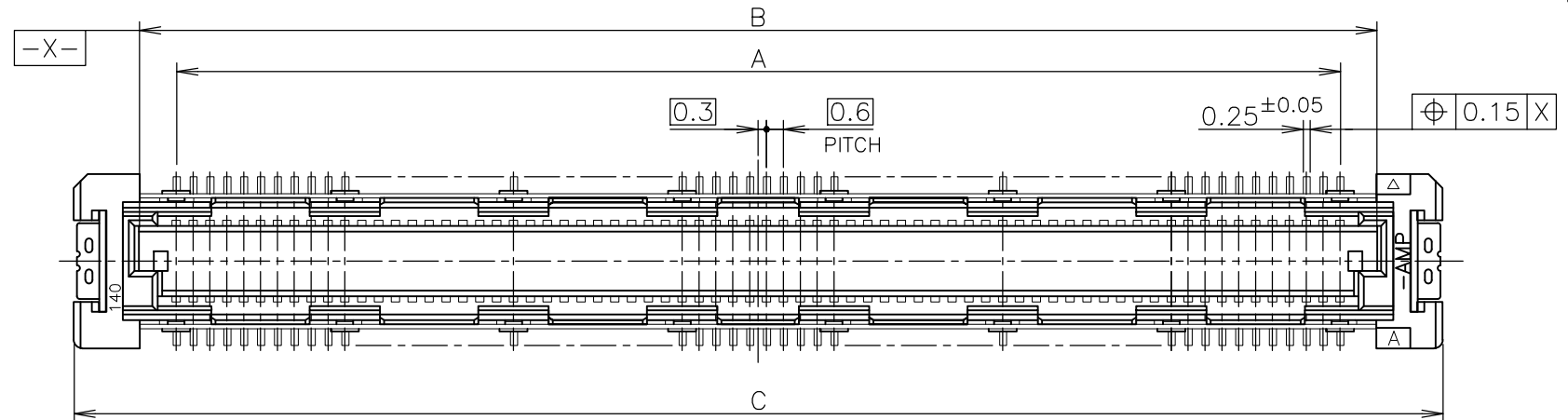
DIMENSIONS: MM	TOLERANCES UNLESS OTHERWISE SPECIFIED:	DWN HAWKING HE 21DEC04	Tyco Electronics Corporation Kawasaki, Japan
	0 PLC ± - 1 PLC ± - 2 PLC ± - 3 PLC ± - 4 PLC ± - ANGLES ± - FINISH ± -	CHK STEVEN YAO 21DEC04	
		APVD I.ENOMOTO 21DEC04	
		NAME	
MATERIAL		PRODUCT SPEC 108-60047	TRAY ASSY FH 0.6BTB CONNECTOR PLUG 4H W/G-CONT
		APPLICATION SPEC 114-5255	SIZE A3 CAGE CODE 00779 DRAWING NO C-5316076 RESTRICTED TO
		WEIGHT	SCALE 1:2 SHEET 1 OF 3 REV C

CUSTOMER DRAWING

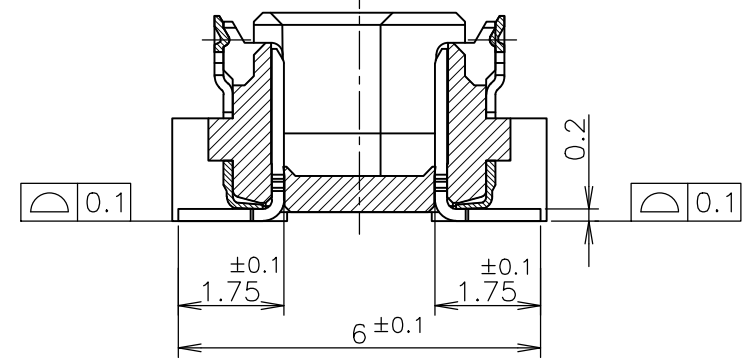
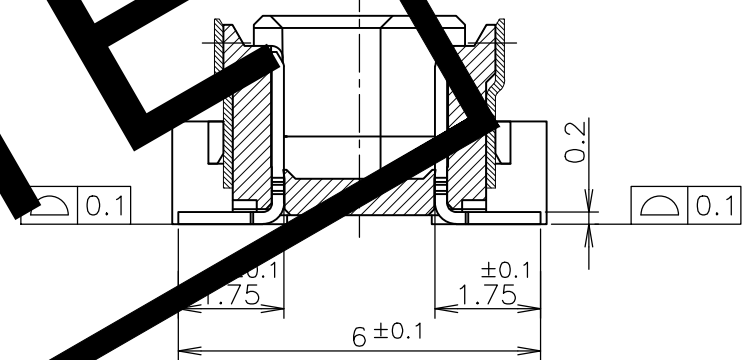
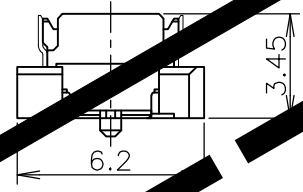
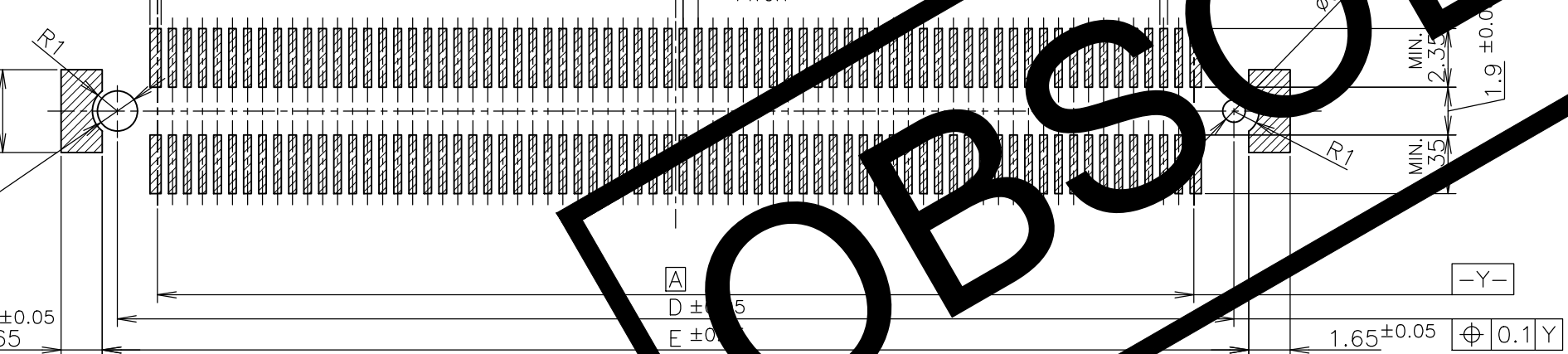
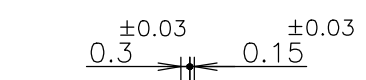
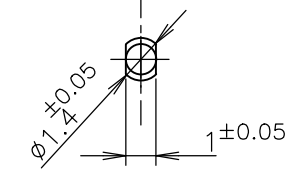
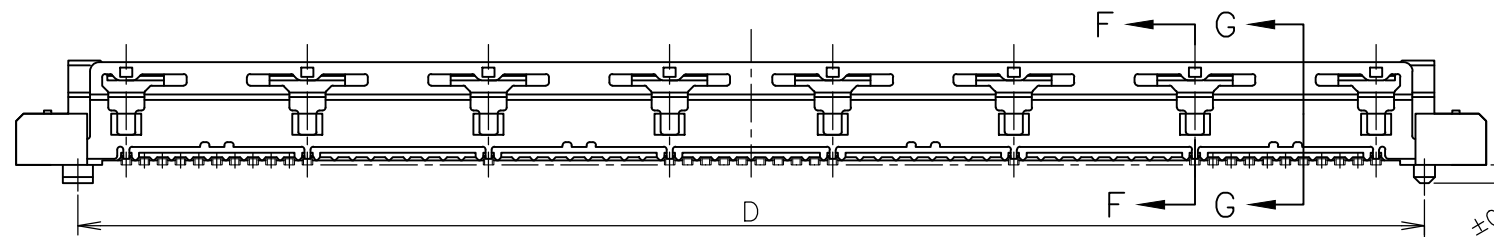
THIS DRAWING IS UNPUBLISHED. RELEASED FOR PUBLICATION MAY, 1995.

© COPYRIGHT 1995 BY TYCO ELECTRONICS CORPORATION. ALL RIGHTS RESERVED.

LOC	DIST	REVISIONS					
J		P	LTR	DESCRIPTION	DATE	DWN	APVD
		-		SEE SHEET 1	-	-	-



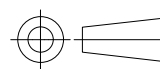
- ⚠ MATERIAL ; HOUSING : HIGH TEMP THERMO PLASTIC UL94V-0
- CONTACT : COPPER ALLOY
- ⚠ FINISH ; UNDER PL Ni 0.0013mm MIN ALL OVER.
- CONTACT AREA 0.0002 MIN Au PL.
- SOLDERING AREA 0.001 MIN TIN PL.
- ⚠ THIS POSITION IS GROUND CIRCUIT.



REFERENCE P BOARD L

OBSOLETE

AVAILABLE	51.8	50.6	54.7	50	47.4	160
AVAILABLE	45.8	44.6	48.7	44	41.4	140
NOT AVAILABLE	39.8	38.6	42.7	38	35.4	120
AVAILABLE	33.8	32.6	36.7	32	29.4	100
NOT AVAILABLE	30.8	29.6	33.7	29	26.4	90
NOT AVAILABLE	27.8	26.6	30.7	26	23.4	80
AVAILABLE	24.8	23.6	27.7	23	20.4	70
AVAILABLE	21.8	20.6	24.7	20	17.4	60
AVAILABLE	18.8	17.6	21.7	17	14.4	50
NOT AVAILABLE	15.8	14.6	18.7	14	11.4	40
NOT AVAILABLE	12.8	11.6	15.7	11	8.4	30
TOOLING STATUS	E	D	C	B	A	POS

THIS DRAWING IS A CONTROLLED DOCUMENT.		DWN		Tyco Electronics		Tyco Electronics Corporation	
DIMENSIONS: MM		TOLERANCES UNLESS OTHERWISE SPECIFIED:		CHK		Kawasaki, Japan	
		0 PLC ± 0.3 1 PLC ± 0.3 2 PLC ± 0.3 3 PLC ± 0.3 4 PLC ± 0.3 ANGLES ± 3°		APVD		NAME	
MATERIAL		FINISH		PRODUCT SPEC		TRAY ASSY	
⚠		⚠		APPLICATION SPEC		FH 0.6BTB CONNECTOR	
				WEIGHT		PLUG 4H W/G-CONT	
				CUSTOMER DRAWING		RESTRICTED TO	
				SIZE A3		CAGE CODE 00779	
				DRAWING NO. G-5316076		SCALE 4:1	
				SHEET 2 OF 3		REV C	

THIS DRAWING IS UNPUBLISHED.

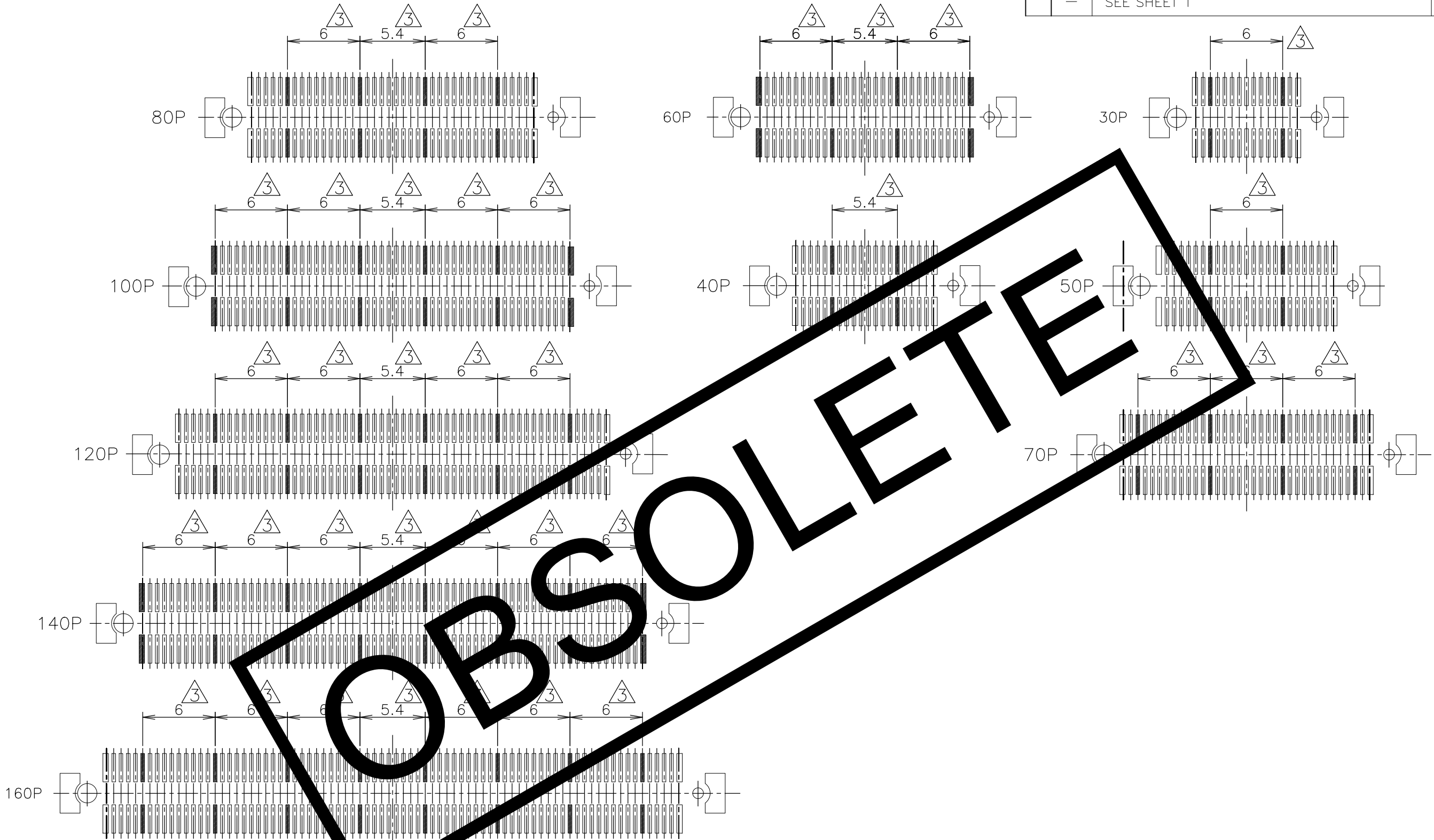
RELEASED FOR PUBLICATION MAY, 1995.

© COPYRIGHT 1995 BY TYCO ELECTRONICS CORPORATION. ALL RIGHTS RESERVED.

LOC J DIST

REVISIONS

P	LTR	DESCRIPTION	DATE	DWN	APVD
-	-	SEE SHEET 1	-	-	-



THIS DRAWING IS A CONTROLLED DOCUMENT.		DWN		Tyco Electronics Tyco Electronics Corporation Kawasaki, Japan	
DIMENSIONS: MM		CHK		NAME	
TOLERANCES UNLESS OTHERWISE SPECIFIED:		APVD		TRAY ASSY	
0 PLC ± 0.3		PRODUCT SPEC		FH 0.6BTB CONNECTOR	
1 PLC ± 0.3		APPLICATION SPEC		PLUG 4H W/G-CONT	
2 PLC ± 0.3		WEIGHT		SIZE A3	CAGE CODE 00779
3 PLC ± 0.3		CUSTOMER DRAWING		DRAWING NO	5316076
4 PLC ± 0.3		SCALE 3:1		RESTRICTED TO	
ANGLES ± 3'		SHEET 3 OF 3		REV	C
FINISH					

X-ON Electronics

Largest Supplier of Electrical and Electronic Components

Click to view similar products for [TE Connectivity](#) manufacturer:

Other Similar products are found below :

[D38999/24FJ4AN](#) [570416-000](#) [CLTEQ-M81CE-SSRELAY-4-20V](#) [4-1195131-0](#) [650069-000](#) [SMD100-2](#) [358838-000](#) [CB-1022B-78](#)
[RM707012](#) [RP410012](#) [MMS42](#) [1-640426-8](#) [2EDL4CM](#) [DTS20W19-11PD-3028-LC](#) [RM202615](#) [NC6-P104-06](#) [MSPS103B](#) [DTS26F21-](#)
[41HE-LC](#) [DTS26F21-41AE](#) [DTS26F21-41PE-LC](#) [DTS26F21-11SE-3028-LC](#) [30DCB6](#) [1932144-1](#) [293545-4](#) [LVR125S](#) [MS27466T25F4PB](#)
[CKB-38-78010](#) [TR04AI-TINELLOCKRING](#) [1206SFF150F/63-2](#) [D38999/20JB35HA](#) [TE1500A2R2J](#) [D38999/20WC8BB](#) [DTS24F19-11SC-](#)
[3028-LC](#) [D38999/24WG11HA](#) [D38999/24WG11HN](#) [MS27467T21F11H](#) [DJT16E21-11HA](#) [MS27467T21F35J](#) [MS27467T21F11J](#)
[MS27467T21F16H-LC](#) [MS27467T21F35H](#) [MS27467T21F41H-LC](#) [1206SFH150F/24-2](#) [RP330024](#) [DJT16E21-11PA-LC](#) [DJT16E21-11HA-](#)
[LC](#) [DJT16E21-11AA](#) [MS27467T21B11JA](#) [DJT16E21-11JA](#) [MS27467T21B11JA-LC](#)