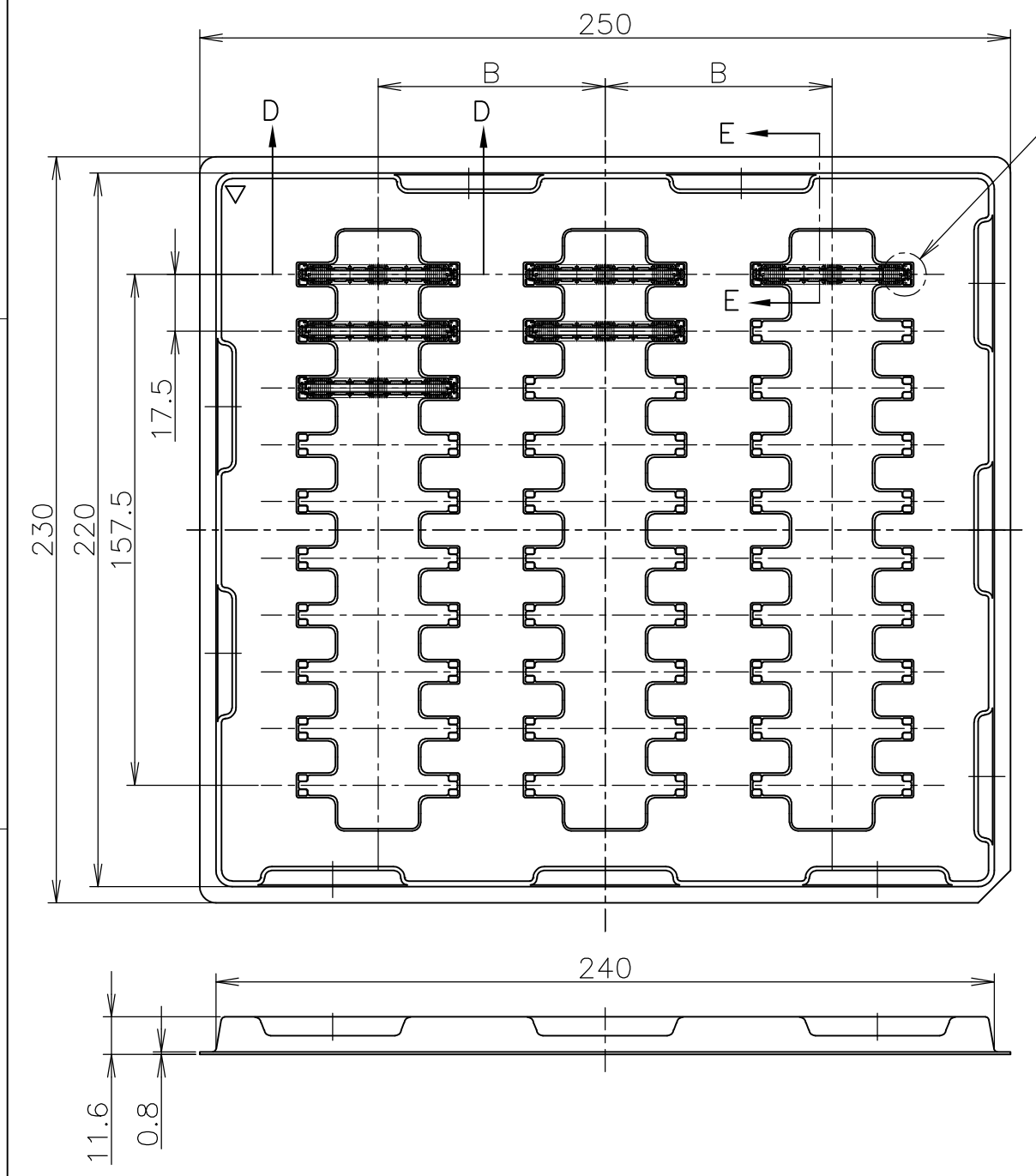


THIS DRAWING IS UNPUBLISHED. RELEASED FOR PUBLICATION MAY, 1995.  
 © COPYRIGHT 1995 BY TYCO ELECTRONICS CORPORATION. ALL RIGHTS RESERVED.

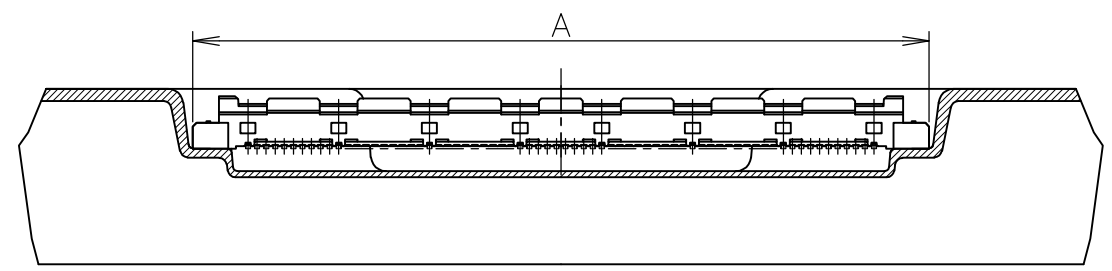
LOC	DIST	REVISIONS					
J		P	LTR	DESCRIPTION	DATE	DWN	APVD
			A	REVISED ECR-08-000339	01FEB08	T.T	T.F
			B	REVISED PER ECO-17-002393	27MAY17	B.J	S.Y

AS SHOWN: TYPE-1

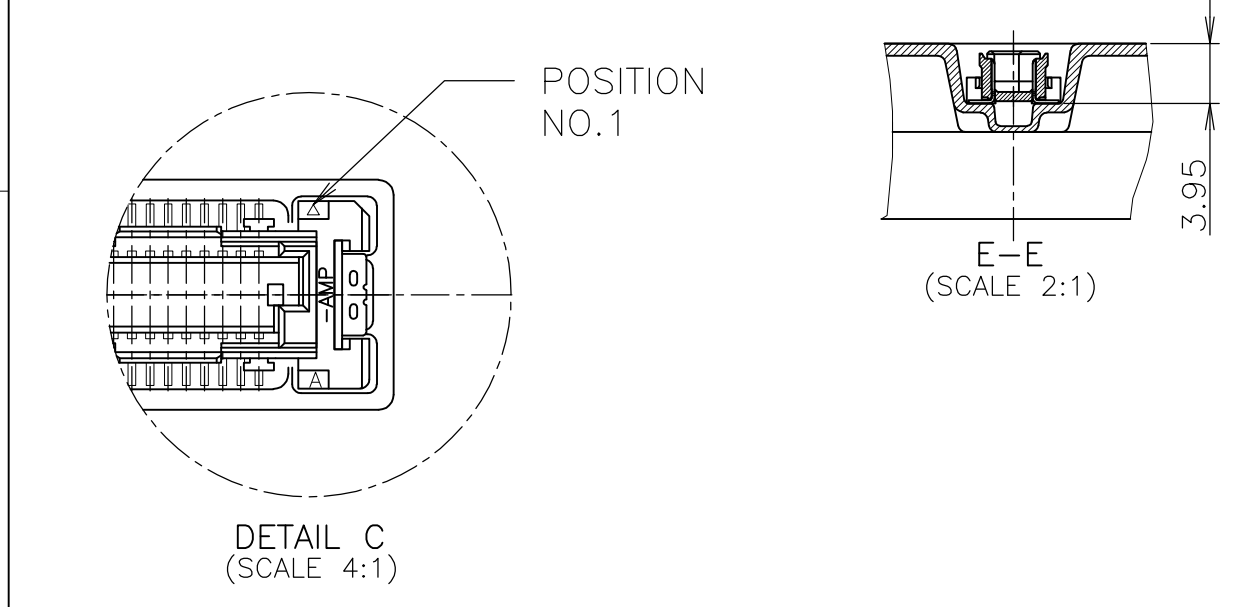
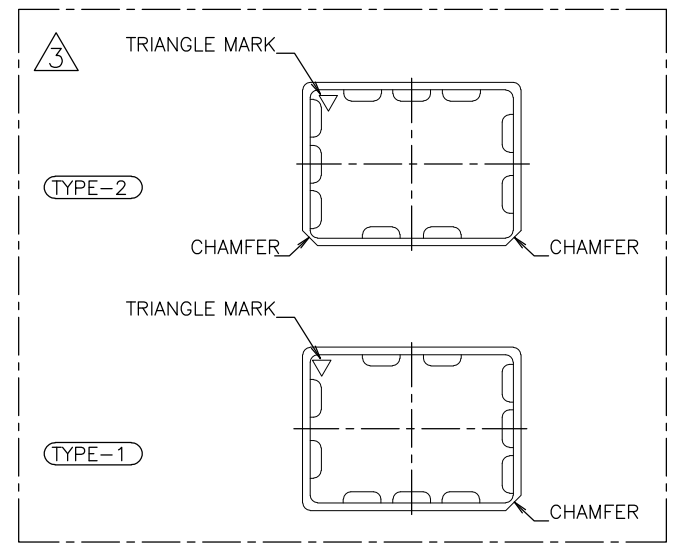


DETAIL C

⚠ TRAY TYPE-1 AND TYPE-2 MUST BE  
 PILED UP BY TURNS.  
 (REFER TO PACKING SPECIFICATIONS)



D-D  
(SCALE 2:1)



SEALANT	TOOLING STATUS	ROW	QTY	B	A	POS.	TRAY P/N	PART NO.
↑	NOT AVAILABLE	3	30	70	54.7	160	912063-9	6-5316135-1
↑	↑	↑	↑	↑	48.7	140	912063-8	6- - -0
↑	↑	↑	↑	↑	42.7	120	4-912065-9	5- - -9
↑	↑	↑	↑	↑	36.7	100	8-912066-2	5- - -8
↑	↑	↑	↑	↑	33.7	90	9-912066-6	5- - -7
↑	↑	↑	↑	↑	30.7	80	912067-3	5- - -6
↑	↑	↑	↑	↑	27.7	70	912063-1	5- - -5
↑	↑	↑	↑	↑	24.7	60	9-912066-5	5- - -4
↑	↑	↑	↑	↑	21.7	50	9-912062-9	5- - -3
↑	↑	↑	↑	↑	18.7	40	9-912066-4	5- - -2
↓	NOT AVAILABLE	5	50	43	15.7	30	9-912066-3	5-5316135-1
↓	AVAILABLE	3	30	70	54.7	160	912063-9	1-5316135-1
↓	AVAILABLE	↑	↑	↑	48.7	140	912063-8	1- - -0
↓	NOT AVAILABLE	↑	↑	↑	42.7	120	4-912065-9	- - -9
↓	↑	↓	↓	↓	36.7	100	8-912066-2	- - -8
↓	↑	3	30	70	33.7	90	9-912066-6	- - -7
↓	NOT AVAILABLE	5	50	43	30.7	80	912067-3	- - -6
↓	AVAILABLE	↑	↑	↑	27.7	70	912063-1	- - -5
↓	NOT AVAILABLE	↑	↑	↑	24.7	60	9-912066-5	- - -4
↓	AVAILABLE	↓	↓	↓	21.7	50	9-912062-9	- - -3
↓	NOT AVAILABLE	↓	↓	↓	18.7	40	9-912066-4	- - -2
↓	NOT AVAILABLE	5	50	43	15.7	30	9-912066-3	5316135-1

THIS DRAWING IS A CONTROLLED DOCUMENT.

DWN HAWKING HE 21DEC04  
 CHK STEVEN YAO 21DEC04  
 APVD I.ENOMOTO 21DEC04

**Tyco Electronics** Tyco Electronics Corporation  
 Kawasaki, Japan

NAME 姓名  
 PRODUCT SPEC 製品規格  
 108-60047  
 APPLICATION SPEC 取付適用規格  
 114-5255

SOFT TRAY ASSY  
 FH 0.6BTB CONNECTOR  
 PLUG 4H STD

MATERIAL 材料  
 FINISH 仕上

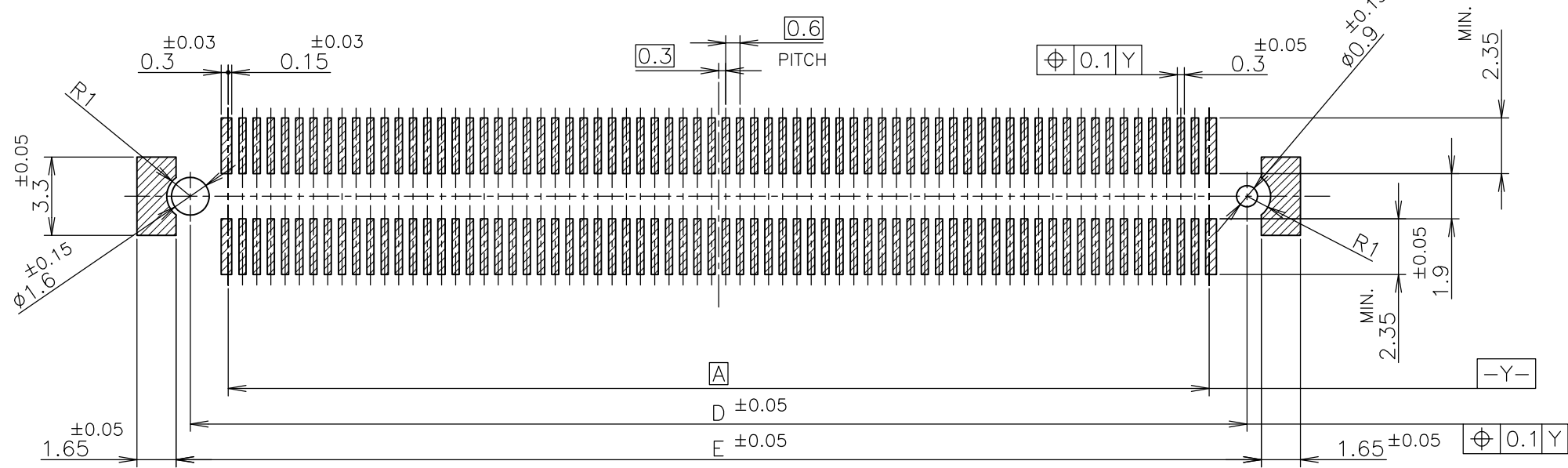
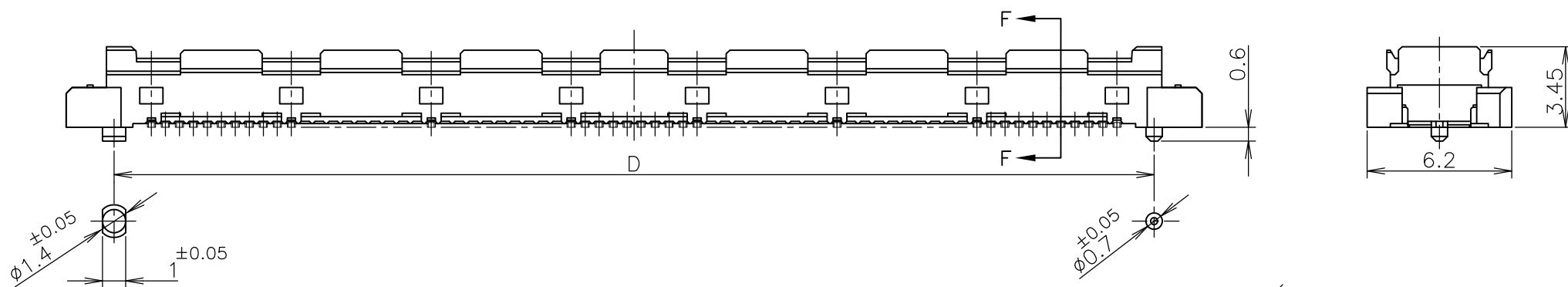
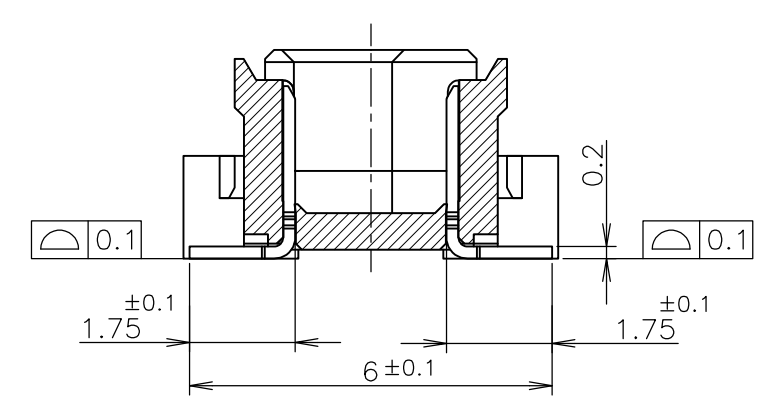
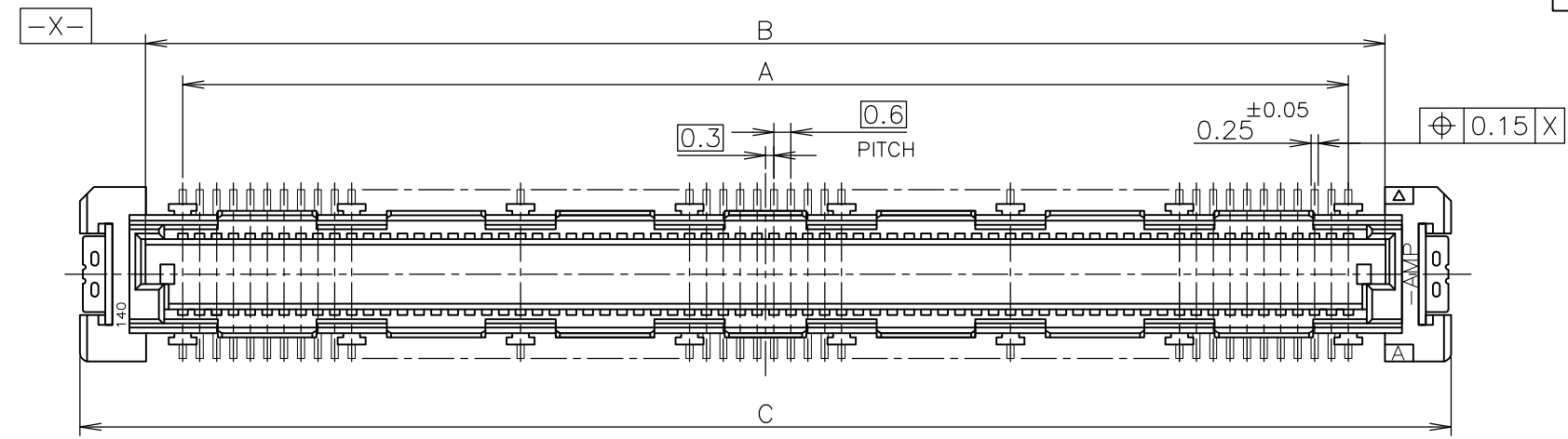
WEIGHT  
 CUSTOMER DRAWING

SIZE A3 CAGE CODE 00779 DRAWING NO. G-5316135 RESTRICTED TO 番号

SCALE 尺度 1:2 SHEET 1 OF 2 REV B

THIS DRAWING IS UNPUBLISHED. RELEASED FOR PUBLICATION MAY, 1995.  
 © COPYRIGHT 1995 BY TYCO ELECTRONICS CORPORATION. ALL RIGHTS RESERVED.

LOC	DIST	REVISIONS					
		P	LTR	DESCRIPTION	DATE	DWN	APVD
J				SEE SHEET 1	-	-	-



△ MATERIAL ; HOUSING : HIGH TEMP THERMO PLASTIC UL94V-0  
 CONTACT : COPPER ALLOY  
 △ FINISH ; UNDER PL Ni 0.0013mm MIN ALL OVER.  
 CONTACTING AREA 0.0002 MIN Au PL.  
 SOLDERING AREA 0.001 MIN TIN PL.

REFERENCE P.C.BOARD LAYOUT

AVAILABLE	51.8	50.6	54.7	50	47.4	160
AVAILABLE	45.8	44.6	48.7	44	41.4	140
NOT AVAILABLE	39.8	38.6	42.7	38	35.4	120
AVAILABLE	33.8	32.6	36.7	32	29.4	100
NOT AVAILABLE	30.8	29.6	33.7	29	26.4	90
NOT AVAILABLE	27.8	26.6	30.7	26	23.4	80
AVAILABLE	24.8	23.6	27.7	23	20.4	70
AVAILABLE	21.8	20.6	24.7	20	17.4	60
AVAILABLE	18.8	17.6	21.7	17	14.4	50
NOT AVAILABLE	15.8	14.6	18.7	14	11.4	40
NOT AVAILABLE	12.8	11.6	15.7	11	8.4	30
TOOLING STATUS	E	D	C	B	A	POS

THIS DRAWING IS A CONTROLLED DOCUMENT.		DWN	Tyco Electronics Corporation Kawasaki, Japan	
DIMENSIONS: 単位: 耗 mm		CHK	NAME 名称	
TOLERANCES UNLESS OTHERWISE SPECIFIED: 一般公差		APVD	SOFT TRAY ASSY FH 0.6BTB CONNECTOR PLUG 4H STD	
0 PLC ± 0.3		PRODUCT SPEC 製品規格	SIZE	CAGE CODE
1 PLC ± 0.3		APPLICATION SPEC 取付適用規格	A3	00779
2 PLC ± 0.3		WEIGHT	DRAWING NO 番号	
3 PLC ± 0.3		CUSTOMER DRAWING	G-5316135	
4 PLC ± 0.3		SCALE 尺度 4:1	SHEET 2 OF 2	REV B
ANGLES ± 3'		RESTRICTED TO		
FINISH 仕上				

## X-ON Electronics

Largest Supplier of Electrical and Electronic Components

*Click to view similar products for [Board to Board & Mezzanine Connectors](#) category:*

*Click to view products by [TE Connectivity](#) manufacturer:*

Other Similar products are found below :

[589158040000018](#) [MDF7C-18P-2.54DSA\(55\)](#) [FCN-230C068-11](#) [FCN-268F012-G/BD](#) [FCN-268F036-G/BD](#) [FCN-268M012-G/0D](#) [FCN-268M024-G/1D](#) [FCN-723J004/1](#) [MIS-048-01-F-D-DP-K](#) [832-10-034-10-001000](#) [FX4C-80S-1.27DSA](#) [FCN-214Q030-G/0](#) [FCN-234P048-G/0](#) [FCN-235D050-G/C](#) [210-93-314-41-105000](#) [2-22603-0](#) [MDF7-40DP-2.54DSA\(55\)](#) [AXG720047](#) [5031084030](#) [MIT-114-03-F-D-K](#) [55323-1519](#) [DF33-2P-3.3DSA\(24\)](#) [YFT-20-05-H-03-SB-K](#) [503308-3040](#) [026-6203-PDB](#) [027-6203-PDB](#) [069159702701000](#) [10123981-102LF](#) [101A10019X](#) [55650-0588-C](#) [68684-306](#) [75140-7012](#) [194261-1](#) [FCN-268F024-G0D](#) [10124054-515LF](#) [68685-603](#) [8-1616154-3](#) [MIS-019-01-F-D](#) [541371078](#) [IL-WX-10PB-HF-B-E1000E](#) [FCN-268M024-G/3D](#) [20021832-06016C1LF](#) [KX15-20KLDL-E1000E](#) [MDF7-16DP-2.54DSA\(55\)](#) [AXE810124](#) [FCN-214J100-G/0](#) [FCN-230C068-E/S](#) [AXE812124](#) [AXE816124](#) [AXE720127](#)