

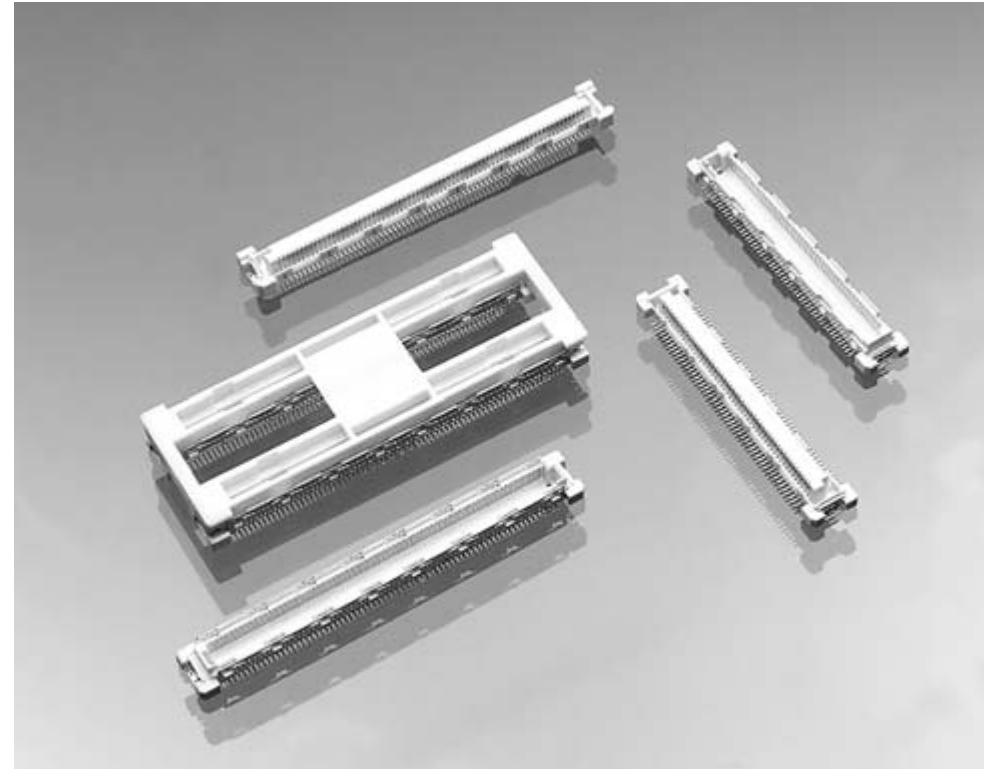


**Product Facts**

- 0.6 [.024] pitch SMT connectors for parallel board stacking
- Connector sizes ranging from 50 to 280 positions
- Solder pegs included for anti-peeling
- Available packaged on "tape-and-reel" for automatic placement per EIA standards
- Surface areas provided to accommodate vacuum nozzles
- Enhanced electrical performance grounded version (GIGA) available for high speed signals
- Recognized under the Component Program of Underwriter Laboratories Inc., File No. E28476



**0.6mm Free Height (FH) and GIGA Connectors**



0.6mm Free Height (FH) and GIGA Connectors

Tyco Electronics 0.6mm Free Height (FH) and GIGA connectors are designed for use in the parallel stacking of printed circuit boards. These 0.6 [.024] fine pitch connectors provide the capability of varying the spacing between parallel boards, depending upon the components to be packaged or equipment designs. They are best suited for applications where miniaturization is essential, such as notebook PCs, sub-notebook PCs, pen pads, cellular phones and communication equipment.

This connector family consists of vertical board-mount receptacles and plug assemblies. By using various combinations of plug and receptacle heights, it is possible to alter the spacing of parallel boards between 4 [.157] and 16 [.630].

The enhanced electrical performance version (GIGA) includes receptacles loaded with contacts for grounding circuits at every 9 or 10 signal circuits. These ground contacts mate with grounding plates on both sides of the plug assemblies.

0.6mm FH and GIGA connectors are packaged in trays or on "tape-and-reel" for high volume production. Each connector half features surface areas to accommodate "pick-and-place" vacuum nozzles without secondary covers. Some connector sizes are available packaged in a unique "bridge" to facilitate the aligning of dual connectors on PC boards during placement and SMT processing.

**Performance Characteristics**

**Voltage Rating** — 50 VAC

**Current Rating** — 0.5 ampere

**Overall Resistance** — less than 30 milliohms

**Dielectric Withstanding Voltage** — 0.2 kVAC

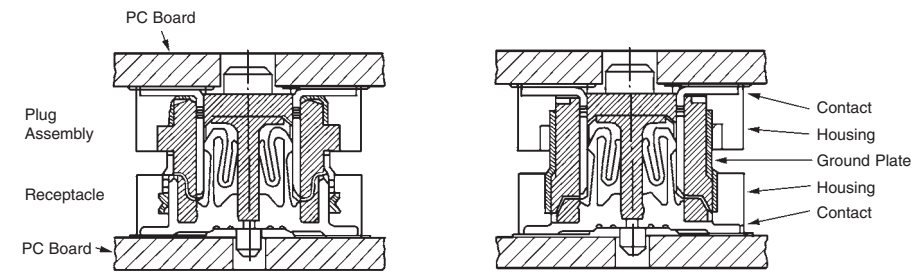
**Operating Temperature** — -40°C to +85°C

**Board-to-Board Stacking Height Selection Guide (By Receptacle/Plug Combinations)**

| Plugs | Receptacles  |  |  |
|-------|--|--|--|
|       | 4H   | 8H   | 12H  |
| 4H    | <p>Pages 30, 34</p> <p>Receptacle<br/>4.0<br/>[.157]<br/>Plug</p> <p>Pages 32, 33 &amp; 35</p> | N/A  | <p>Page 31</p> <p>Receptacle<br/>12.0<br/>[.472]<br/>Plug</p> <p>Pages 32, 33 &amp; 35</p> |
| 5H    | <p>Page 30</p> <p>Receptacle<br/>5.0<br/>[.197]<br/>Plug</p> <p>Pages 32, 33</p>               | N/A  | N/A  |
| 6H    | <p>Pages 30, 34</p> <p>Receptacle<br/>6.0<br/>[.236]<br/>Plug</p> <p>Pages 32, 33 &amp; 35</p> | <p>Page 31</p> <p>Receptacle<br/>10.0<br/>[.394]<br/>Plug</p> <p>Page 33</p> | <p>Page 31</p> <p>Receptacle<br/>14.0<br/>[.551]<br/>Plug</p> <p>Pages 32, 33 &amp; 35</p> |
| 7H    | <p>Page 30</p> <p>Receptacle<br/>7.0<br/>[.276]<br/>Plug</p> <p>Page 33</p>                    | <p>Page 31</p> <p>Receptacle<br/>11.0<br/>[.433]<br/>Plug</p> <p>Page 33</p> | <p>Page 31</p> <p>Receptacle<br/>15.0<br/>[.591]<br/>Plug</p> <p>Page 33</p>               |
| 8H    | <p>Pages 30, 34</p> <p>Receptacle<br/>8.0<br/>[.315]<br/>Plug</p> <p>Pages 32, 33 &amp; 35</p> | N/A  | <p>Page 31</p> <p>Receptacle<br/>16.0<br/>[.630]<br/>Plug</p> <p>Pages 32, 33 &amp; 35</p> |

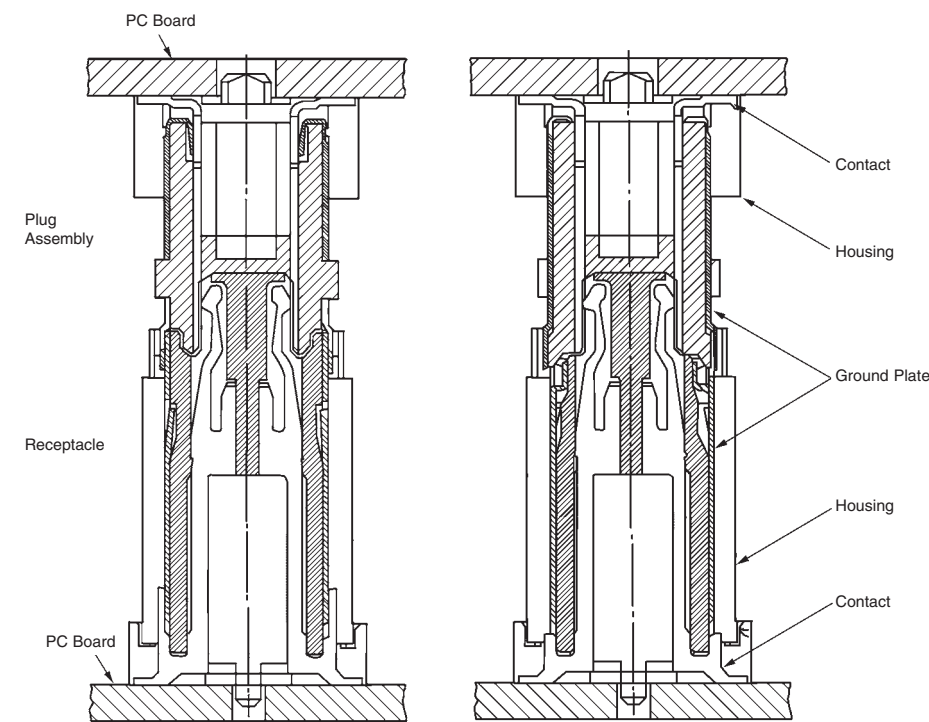
0.6mm Free Height (FH) and GIGA Connectors

**0.6mm Free Height (FH) and GIGA Connectors** (Continued)



Cross-Section of Grounding Position      Cross-Section of Signal Position

Typical Example of 4H Receptacle with Common Ground Contacts  
and 4H GIGA Plug with Ground Plates



Cross-Section of Grounding Position      Cross-Section of Signal Position

Typical Example of 8H and 12H Receptacle and Plug;  
both with Ground Plates

0.6mm Free Height (FH) and  
GIGA Connectors

**0.6mm Free Height Receptacles, 0.6 [.024] Pitch**

**4H (4mm)**

**Note:** All receptacles include common ground contacts that mate with standard plug assemblies or GIGA plug assemblies with ground plates.

**Material and Finish**

**Housing** — High temperature thermoplastic, 94V-0 rated

**Signal Contacts** — Copper alloy; duplex plated 0.00020 [.000008] min. gold on contact area, 0.00005 [.000002] min. gold on solder area, with entire contact underplated 0.00130 [.000051] min. nickel

**Ground Contacts** — Copper alloy; duplex plated 0.00020 [.000008] min. gold on contact area, 0.00100 [.000039] min. tin on solder area, with entire contact underplated 0.00130 [.000051] min. nickel

**Related Product Data**

**Performance Characteristics** — page 27

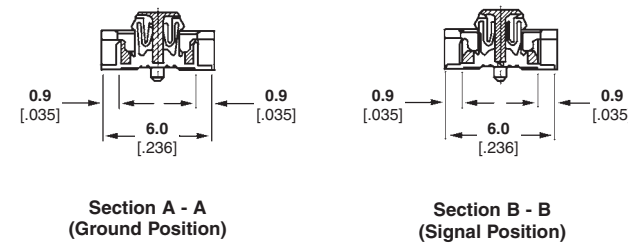
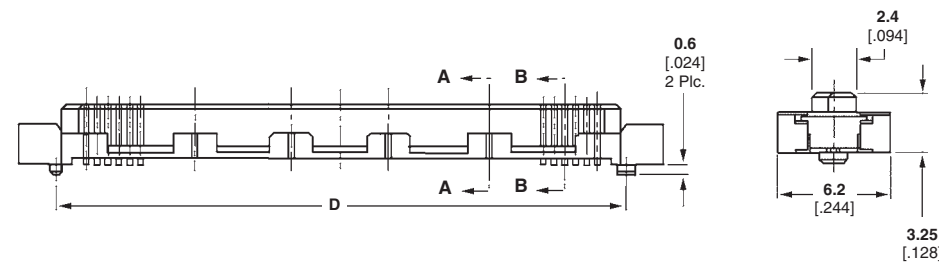
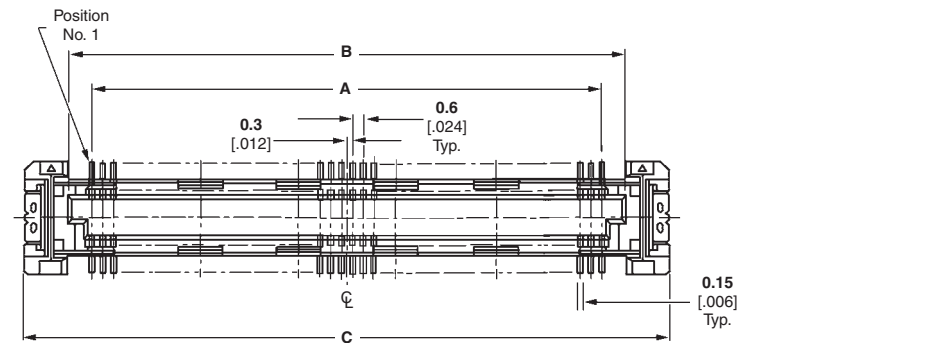
**Stacking Height Combinations** — page 28

**Mating Plugs** — pages 32, 33 & 35

**PC Board Layout** — pages 36 & 37

**Technical Documents** (page 113)

**Product Specification**  
108-5468



| Stacking Height | No. of Positions | Dimensions    |               |               |               | Part Numbers  |               |
|-----------------|------------------|---------------|---------------|---------------|---------------|---------------|---------------|
|                 |                  | A             | B             | C             | D             | Tray Packaged | Tape Packaged |
| 4H              | 50               | 14.4<br>.567  | 17.0<br>.669  | 21.7<br>.854  | 17.6<br>.693  | 5316077-3     | 5353190-3     |
|                 | 70               | 20.4<br>.803  | 23.0<br>.906  | 27.7<br>1.091 | 23.6<br>.929  | —             | 5-5353190-5   |
|                 | 80               | 23.4<br>.921  | 26.0<br>1.024 | 30.7<br>2.087 | 26.6<br>1.047 | 5316560-6     | 5353190-6     |
|                 | 100              | 29.4<br>1.158 | 32.0<br>1.260 | 36.7<br>1.445 | 32.6<br>1.284 | —             | 5353190-8     |
|                 | 140              | 41.4<br>1.630 | 44.0<br>1.732 | 48.7<br>1.917 | 44.6<br>1.756 | 1-5316077-0   | 1-5353190-0   |
|                 | 160              | 47.4<br>1.866 | 50.0<br>1.969 | 54.7<br>2.154 | 50.6<br>1.992 | 1-5316560-1   | —             |

**Note:** Free Height (FH) receptacles for 8H (8mm) and 12H (12mm) stacking height are shown on page 31. Part Numbers are RoHS compliant.



**0.6mm Free Height Receptacles, 0.6 [.024] Pitch** (Continued)

**8H (8mm) and 12H (12mm)**

**Note:** All receptacles include common ground contacts that mate with standard plug assemblies or GIGA plug assemblies with ground plates.

**Material and Finish**

**Housing** — High temperature thermoplastic, 94V-0 rated

**Signal Contacts** — Copper alloy; duplex plated 0.00020 [.000008] min. gold on contact area, 0.00005 [.000002] min. gold on solder area, with entire contact underplated 0.00130 [.000051] min. nickel

**Ground Contacts** — Copper alloy; duplex plated 0.00020 [.000008] min. gold on contact area, 0.00100 [.000039] min. tin on solder area, with entire contact underplated 0.00130 [.000051] min. nickel

**Related Product Data**

**Performance Characteristics** — page 27

**Stacking Height Combinations** — page 28

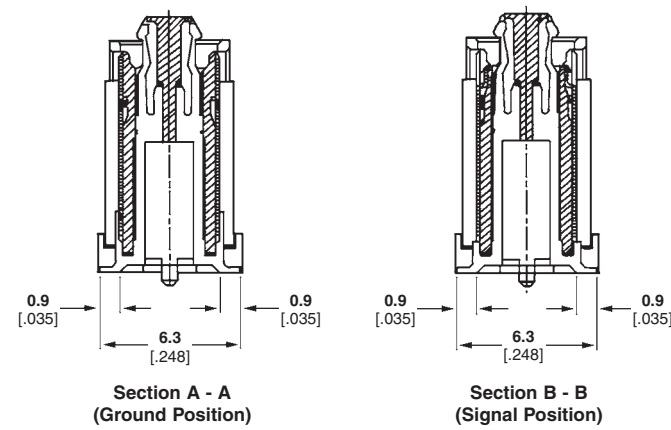
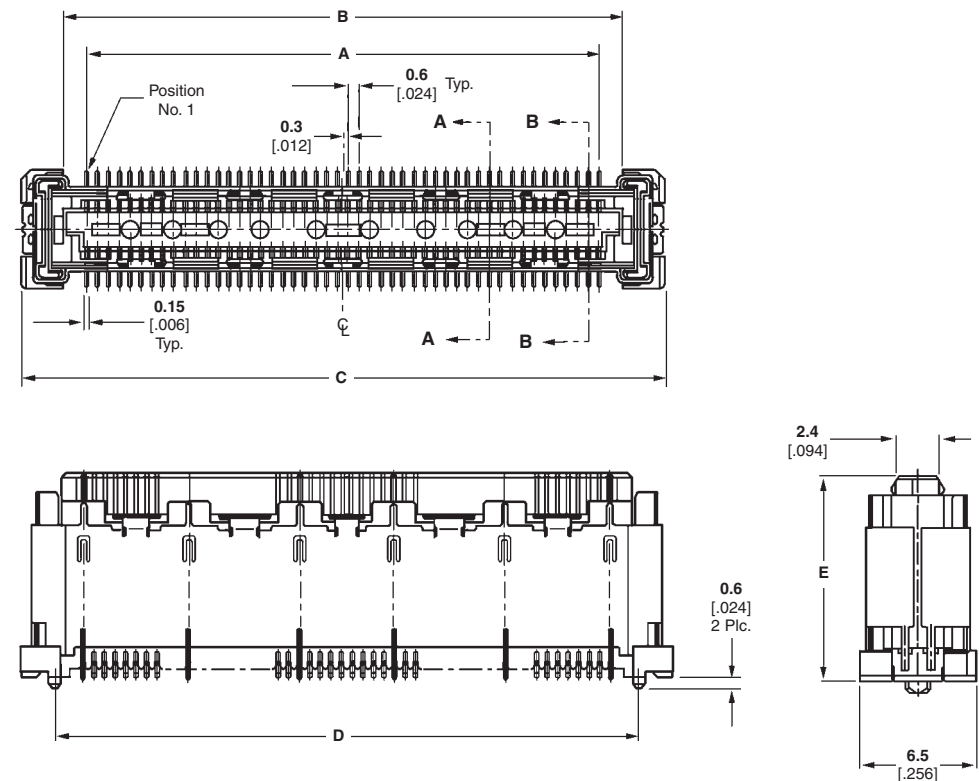
**Mating Plugs** — pages 32 & 33

**PC Board Layout** — pages 36 & 37

**Technical Documents** (page 113)

**Product Specification**

108-5468



0.6mm Free Height (FH) and GIGA Connectors

| Stacking Height | No. of Positions | Dimensions    |               |               |               |               | Part Numbers (Tray Packaged) |
|-----------------|------------------|---------------|---------------|---------------|---------------|---------------|------------------------------|
|                 |                  | A             | B             | C             | D             | E             |                              |
| 8H              | 80               | 23.4<br>.921  | 26.0<br>1.024 | 30.7<br>2.087 | 26.6<br>1.047 | 7.25<br>.285  | 5316317-6                    |
|                 | 50               | 14.4<br>.567  | 17.0<br>.670  | 21.7<br>.854  | 17.6<br>.693  | 11.25<br>.443 | 6318029-3                    |
| 12H             | 140              | 41.4<br>1.630 | 44.0<br>1.732 | 48.7<br>1.917 | 44.6<br>1.756 | 11.25<br>.443 | 1-5316318-0                  |
|                 | 160              | 47.4<br>1.866 | 50.0<br>1.969 | 54.7<br>2.154 | 50.6<br>1.992 | 11.25<br>.443 | 1-5316318-1                  |

**Note:** Free Height (FH) receptacles for 4H (4mm) stacking height are shown on page 30. Part Numbers are RoHS compliant.

**4H (4mm), 5H (5mm)  
6H (6mm), 8H (8mm)  
and 12H (12mm)**

**Material and Finish**

**Housing** — High temperature thermoplastic, 94V-0 rated  
**Contacts** — Copper alloy; duplex plated 0.00020 [.000008] min. gold on contact area, 0.00100 [.000039] min. tin on solder area, with entire contact underplated 0.00130 [.000051] min. nickel

**Related Product Data**

- Performance Characteristics** — page 27
- Stacking Height Combinations** — page 28
- Mating Receptacles** — pages 30, 31 & 34
- PC Board Layout** — pages 38 & 39

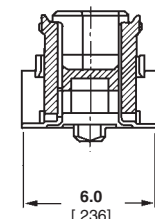
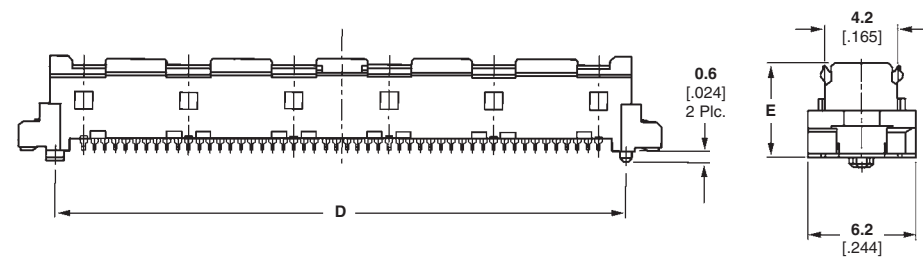
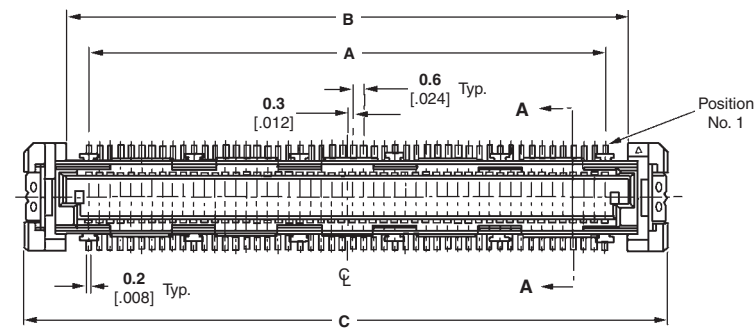
**Technical Documents** (page 113)

**Product Specification**  
108-5468

Fine Pitch SMT Stacking Connectors  
(Parallel Board-to-Board)



**0.6mm Free Height Standard Plugs, 0.6 [.024] Pitch**



Section A - A

| Stacking Height | No. of Positions | Dimensions    |               |               |               |               | Part Numbers  |               |
|-----------------|------------------|---------------|---------------|---------------|---------------|---------------|---------------|---------------|
|                 |                  | A             | B             | C             | D             | E             | Tray Packaged | Tape Packaged |
| 4H              | 50               | 14.4<br>.567  | 17.0<br>.669  | 21.7<br>.854  | 17.6<br>.693  | 3.45<br>.136  | 5316135-3     | 5353183-3     |
|                 | 70               | 20.4<br>.803  | 23.0<br>.906  | 27.7<br>1.091 | 23.6<br>.929  | 3.45<br>.136  | 5316135-5     | —             |
|                 | 100              | 29.4<br>1.158 | 32.0<br>1.260 | 36.7<br>1.445 | 32.6<br>1.284 | 3.45<br>.136  | —             | 5353183-8     |
|                 | 140              | 41.4<br>1.630 | 44.0<br>1.732 | 48.7<br>1.917 | 44.6<br>1.756 | 3.45<br>.136  | 1-5316135-0   | 1-5353183-0   |
|                 | 160              | 47.4<br>1.866 | 50.0<br>1.969 | 54.7<br>2.154 | 50.6<br>1.992 | 3.45<br>.136  | 1-5316135-1   | —             |
| 5H              | 50               | 14.4<br>.567  | 17.0<br>.669  | 21.7<br>.854  | 17.6<br>.693  | 4.45<br>.175  | —             | 5-5353692-3   |
|                 | 100              | 29.4<br>1.158 | 32.0<br>1.260 | 36.7<br>1.445 | 32.6<br>1.284 | 5.45<br>.215  | —             | 5353185-8     |
| 6H              | 140              | 41.4<br>1.630 | 44.0<br>1.732 | 48.7<br>1.917 | 44.6<br>1.756 | 5.45<br>.215  | —             | 1-5353185-0   |
|                 | 140              | 41.4<br>1.630 | 44.0<br>1.732 | 48.7<br>1.917 | 44.6<br>1.756 | 7.45<br>.293  | —             | 1-5353187-0   |
| 8H              | 140              | 41.4<br>1.630 | 44.0<br>1.732 | 48.7<br>1.917 | 44.6<br>1.756 | 7.45<br>.293  | —             | 1-5353187-0   |
|                 | 160              | 47.4<br>1.866 | 50.0<br>1.969 | 54.7<br>2.154 | 50.6<br>1.992 | 7.45<br>.293  | —             | 1-5353187-1   |
| 12H             | 50               | 14.4<br>.567  | 17.0<br>.669  | 21.7<br>.854  | 17.6<br>.693  | 11.25<br>.443 | 6318026-3     | —             |

Note: Part Numbers are RoHS compliant

**4H (4mm), 5H (5mm),  
6H (6mm), 7H (7mm),  
8H (8mm) and 12H (12mm)**

**Note:** All GIGA plugs include ground plates that mate with receptacles with common ground contacts..

**Material and Finish**

**Housing** — High temperature thermoplastic, 94V-0 rated

**Contacts** — Copper alloy; duplex plated 0.00020 [0.00008] min. gold on contact area, 0.00100 [0.00039] min. tin on solder area, with entire contact underplated 0.00130 [0.00051] min. nickel

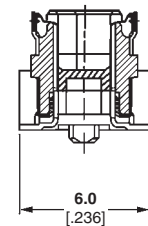
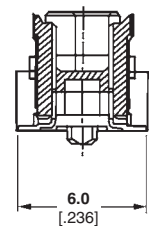
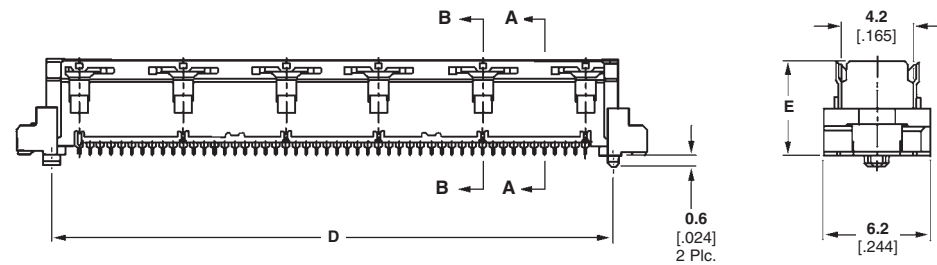
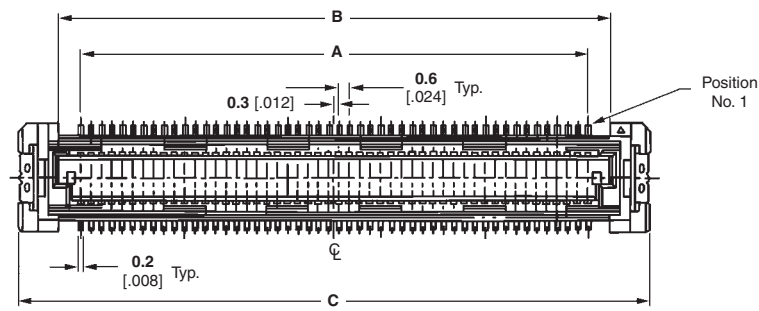
**Ground Plates** — Phosphor bronze, plated 0.00300-0.00500 [0.00120-.000200] tin over 0.00050 [0.00020] copper

**Related Product Data**

- Performance Characteristics** — page 27
- Stacking Height Combinations** — page 28
- Mating Receptacles** — pages 30, 31, & 34
- PC Board Layout** — pages 23 & 24

**Technical Documents** (page 113)  
**Product Specification**  
108-5468

**0.6mm Free Height GIGA Plugs, 0.6 [.024] Pitch**



Section A - A  
(Signal Position)

Section B - B  
(Ground Position)

| Stacking Height | No. of Positions | Dimensions    |               |               |               |               | Part Numbers  |               |
|-----------------|------------------|---------------|---------------|---------------|---------------|---------------|---------------|---------------|
|                 |                  | A             | B             | C             | D             | E             | Tray Packaged | Tape Packaged |
| 4H              | 50               | 14.4<br>.567  | 17.0<br>.669  | 21.7<br>.854  | 17.6<br>.693  | 3.45<br>.136  | 5316076-3     | —             |
|                 | 70               | 20.4<br>.803  | 23.0<br>.906  | 27.7<br>1.091 | 23.6<br>.929  | 3.45<br>.136  | —             | 5-5353184-5   |
|                 | 140              | 41.4<br>1.630 | 44.0<br>1.732 | 48.7<br>1.917 | 44.6<br>1.756 | 3.45<br>.136  | 1-5316076-0   | 1-5353184-0   |
|                 | 160              | 47.4<br>1.866 | 50.0<br>1.969 | 54.7<br>2.154 | 50.6<br>1.992 | 3.45<br>.136  | 1-5316559-1   | —             |
| 5H              | 160              | 47.4<br>1.866 | 50.0<br>1.969 | 54.7<br>2.154 | 50.6<br>1.992 | 4.45<br>.175  | 1-5353471-1   | —             |
| 6H              | 80               | 23.4<br>.921  | 26.0<br>1.024 | 30.7<br>1.209 | 26.6<br>1.047 | 5.45<br>.215  | —             | 5353186-6     |
|                 | 140              | 41.4<br>1.630 | 44.0<br>1.732 | 48.7<br>1.917 | 44.6<br>1.756 | 5.45<br>.215  | —             | 1-5353186-0   |
| 7H              | 80               | 23.4<br>.921  | 26.0<br>1.024 | 30.7<br>1.209 | 26.6<br>1.047 | 6.45<br>.254  | —             | 5353831-6     |
|                 | 140              | 41.4<br>1.630 | 44.0<br>1.732 | 48.7<br>1.917 | 44.6<br>1.756 | 6.45<br>.254  | —             | 1-5353831-0   |
| 8H              | 140              | 41.4<br>1.630 | 44.0<br>1.732 | 48.7<br>1.917 | 44.6<br>1.756 | 7.45<br>.293  | —             | 1-5353188-0   |
|                 | 160              | 47.4<br>1.866 | 50.0<br>1.969 | 54.7<br>2.154 | 50.6<br>1.992 | 7.45<br>.293  | 1-5316562-1   | 1-5353188-1   |
| 12H             | 140              | 41.4<br>1.630 | 44.0<br>1.732 | 48.7<br>1.917 | 44.6<br>1.756 | 11.25<br>.443 | 6473225-1     | —             |

**Note:** Part Numbers are RoHS compliant.

0.6mm Free Height (FH) and GIGA Connectors



**0.6mm Free Height Bridged Receptacle, 0.6 [.024] Pitch**

**4H and 12H Dual-Row**

**Note:** Receptacle includes common ground contacts that mate with standard plug assemblies or GIGA plug assemblies with ground plates.

**Material and Finish**

**Housing** — High temperature thermoplastic, 94V-0 rated

**Signal Contacts** — Copper alloy; duplex plated 0.00020 [.000008] min. gold on contact area, 0.00005 [.000002] min. gold on solder area, with entire contact underplated 0.00130 [.000051] min. nickel

**Ground Contacts** — Copper alloy; duplex plated 0.00020 [.000008] min. gold on contact area, 0.00100 [.000039] min. tin on solder area, with entire contact underplated 0.00130 [.000051] min. nickel

**Related Product Data**

**Performance Characteristics** — page 27

**Stacking Height Combinations** — page 28

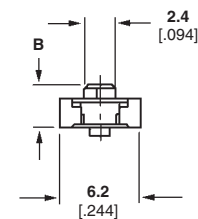
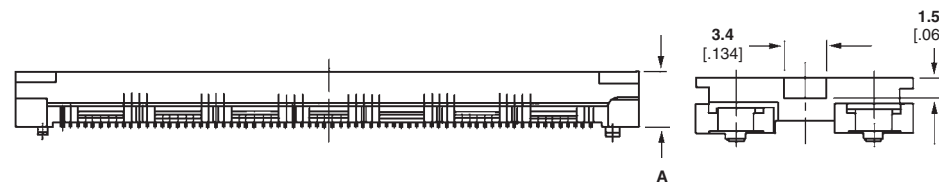
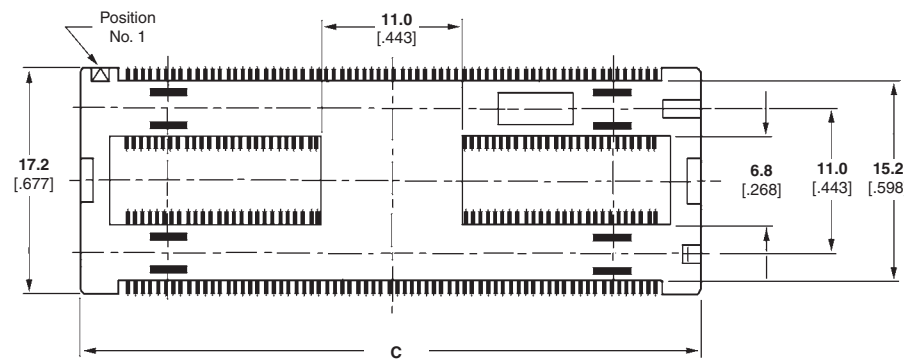
**Mating Plugs** — pages 32, 33 & 35

**PC Board Layout** — page 37

**Technical Documents** (page 113)

**Product Specification**

108-5468



| Dimensions    |               |                | Ground Plate | Packaging | Positions | Height | Part Number |
|---------------|---------------|----------------|--------------|-----------|-----------|--------|-------------|
| A             | B             | C              |              |           |           |        |             |
| 4.25<br>.167  | 3.25<br>.128  | 48.70<br>1.917 | Yes          | Tape      | 280       | 4H     | 1-5353206-0 |
| 4.25<br>.167  | 3.25<br>.128  | 48.70<br>1.917 | Yes          | Tray      | 280       | 4H     | 1-5353729-0 |
| 12.25<br>.482 | 11.25<br>.443 | 48.70<br>1.917 | Yes          | Tray      | 280       | 12H    | 1-5353800-0 |
| 4.25<br>.167  | 3.25<br>.128  | 54.70<br>2.154 | Yes          | Tray      | 320       | 4H     | 6-6318157-1 |

**Note:** Part Numbers are RoHS compliant.

**4H, 6H, 8H and 12H Dual-Row**

**Material and Finish**

**Housing** — High temperature thermoplastic, 94V-0 rated  
**Contacts** — Copper alloy; duplex plated 0.00020 [0.00008] min. gold on contact area, 0.00100 [0.00039] min. tin on solder area, with entire contact underplated 0.00130 [0.00051] min. nickel

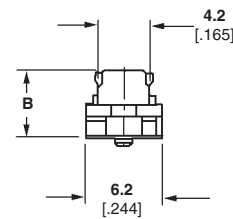
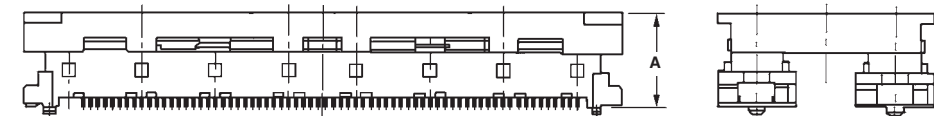
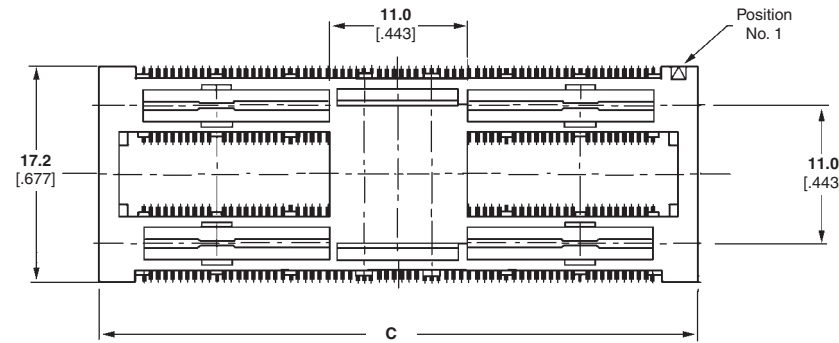
**Related Product Data**

- Performance Characteristics** — page 27
- Stacking Height Combinations** — page 28
- Mating Receptacles** — pages 30 & 34
- PC Board Layout** — page 39

**Technical Documents** (page 113)

**Product Specification**  
108-5468

**0.6mm Free Height Bridged Plugs, 0.6 [ .024] Pitch**



0.6mm Free Height (FH) and GIGA Connectors

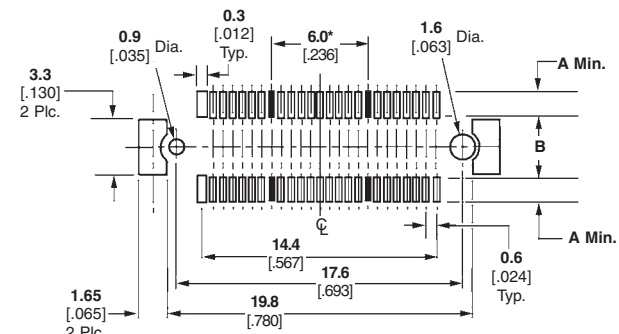
| Dimensions    |               |                | Ground Plate | Packaging | Positions | Height | Part Number |
|---------------|---------------|----------------|--------------|-----------|-----------|--------|-------------|
| A             | B             | C              |              |           |           |        |             |
| 5.45<br>.215  | 3.45<br>.136  | 48.70<br>1.917 | Yes          | Tape      | 280       | 4H     | 1-5353231-0 |
| 5.45<br>.215  | 3.45<br>.136  | 48.70<br>1.917 | No           | Tape      | 280       | 4H     | 1-5353284-0 |
| 5.45<br>.215  | 3.45<br>.136  | 48.70<br>1.917 | Yes          | Tray      | 280       | 4H     | 1-5353720-0 |
| 7.45<br>.293  | 5.45<br>.215  | 48.70<br>1.917 | Yes          | Tape      | 280       | 6H     | 1-5353232-0 |
| 7.45<br>.293  | 5.45<br>.215  | 48.70<br>1.917 | Yes          | Tray      | 280       | 6H     | 1-6123086-0 |
| 7.45<br>.293  | 5.45<br>.215  | 48.70<br>1.917 | No           | Tape      | 280       | 6H     | 1-5353134-0 |
| 9.45<br>.372  | 7.45<br>.293  | 48.70<br>1.917 | No           | Tape      | 280       | 8H     | 1-5353135-0 |
| 9.45<br>.372  | 7.45<br>.293  | 48.70<br>1.917 | Yes          | Tape      | 280       | 8H     | 1-5353233-0 |
| 9.45<br>.372  | 7.45<br>.293  | 48.70<br>1.917 | Yes          | Tray      | 280       | 8H     | 1-5353727-0 |
| 13.45<br>.530 | 11.45<br>.451 | 48.70<br>1.917 | Yes          | Tray      | 280       | 12H    | 1-6123098-0 |
| 5.45<br>.215  | 3.45<br>.136  | 54.70<br>2.154 | Yes          | Tray      | 320       | 4H     | 6-6318151-1 |
| 9.45<br>.372  | 7.45<br>.293  | 54.70<br>2.154 | Yes          | Tray      | 320       | 8H     | 6-6318154-1 |

Note: Part Numbers are RoHS compliant.

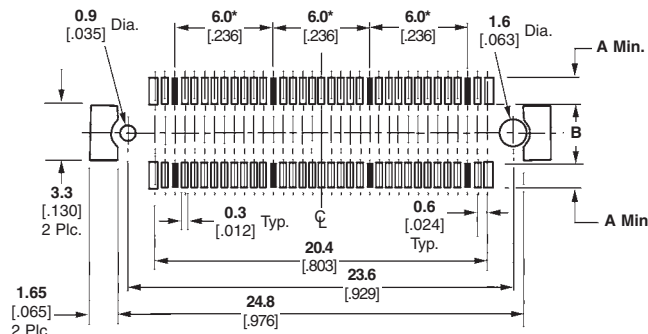
For 50-, 70-, 80- and 100-Position Receptacles

| Stacking Height | Dimensions   |             |
|-----------------|--------------|-------------|
|                 | A            | B           |
| 4H              | 1.5<br>.059  | 3.6<br>.142 |
| 8H              | 1.75<br>.069 | 3.8<br>.150 |
| 12H             | 1.75<br>.069 | 3.8<br>.150 |

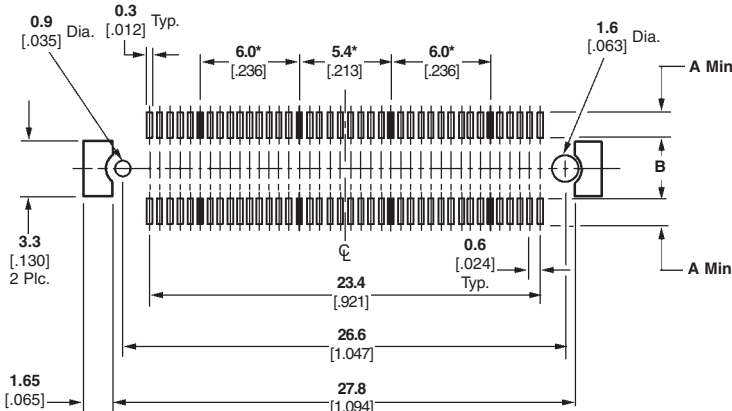
**Recommended PC Board Layouts and Grounding Circuit Positions**



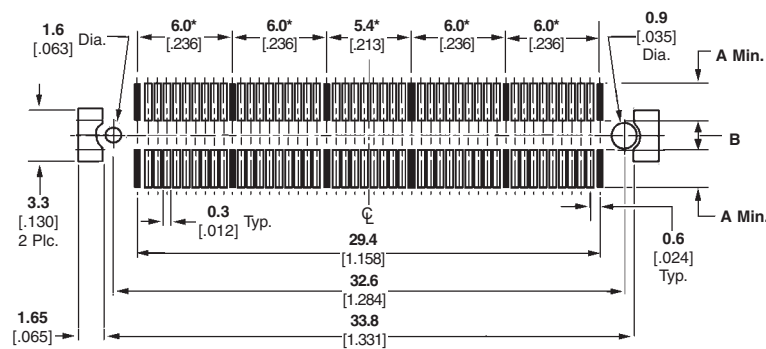
For 50-Position Receptacles  
\*Spacing between grounding circuits



For 70-Position Receptacles  
\*Spacing between grounding circuits



For 80-Position Receptacles  
\*Spacing between grounding circuits



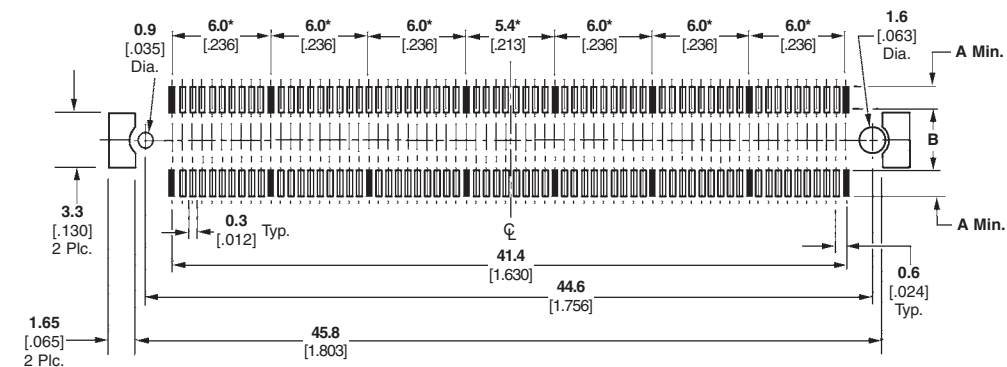
For 100-Position Standard Receptacles  
\*Spacing between grounding circuits

0.6mm Free Height (FH) and GIGA Connectors

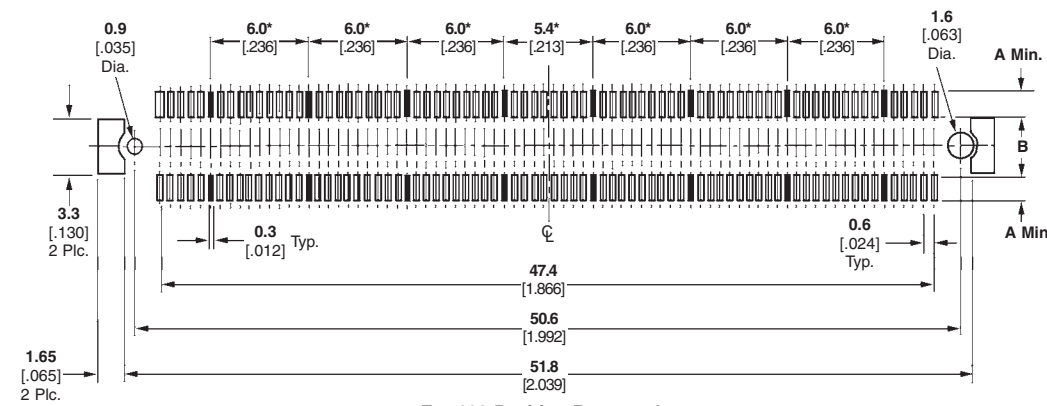
**Recommended PC Board Layouts and Grounding Circuit Positions (Continued)**

**For 140-, 160-Position Receptacles and 280-Position Bridge Receptacle**

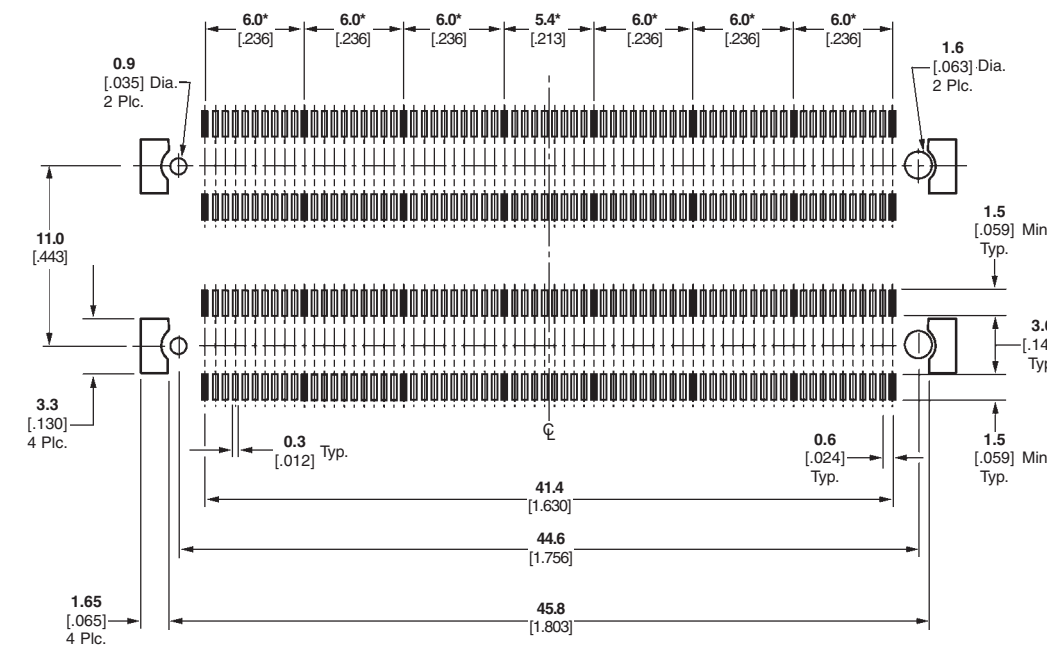
| Stacking Height | Dimensions   |             |
|-----------------|--------------|-------------|
|                 | A            | B           |
| 4H              | 1.5<br>.059  | 3.6<br>.142 |
| 12H             | 1.75<br>.069 | 3.8<br>.150 |



**For 140-Position Receptacles**  
\*Spacing between grounding circuits



**For 160-Position Receptacles**  
\*Spacing between grounding circuits



**For 280-Position Bridge Receptacle**  
\*Spacing between grounding circuits

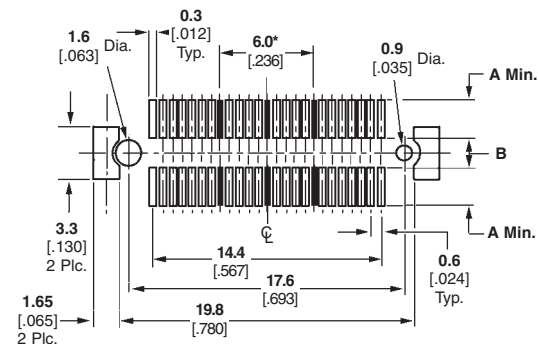
0.6mm Free Height (FH) and GIGA Connectors

0.6mm Free Height (FH) and GIGA Connectors

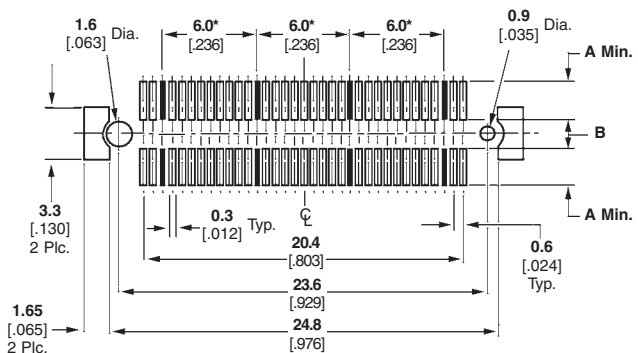
**Recommended PC Board Layouts and Grounding Circuit Positions (Continued)**

**For 50-, 70-, 100- and 140-Position Standard Plugs**

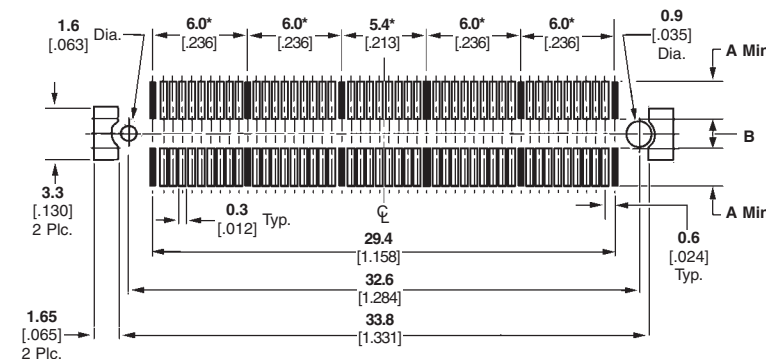
| Stacking Height | Dimensions   |             |
|-----------------|--------------|-------------|
|                 | A            | B           |
| 4H              | 2.35<br>.093 | 1.9<br>.075 |
| 5H              | 1.8<br>.071  | 3.4<br>.134 |
| 6H              | 1.8<br>.071  | 3.4<br>.134 |
| 8H              | 1.8<br>.071  | 3.4<br>.134 |



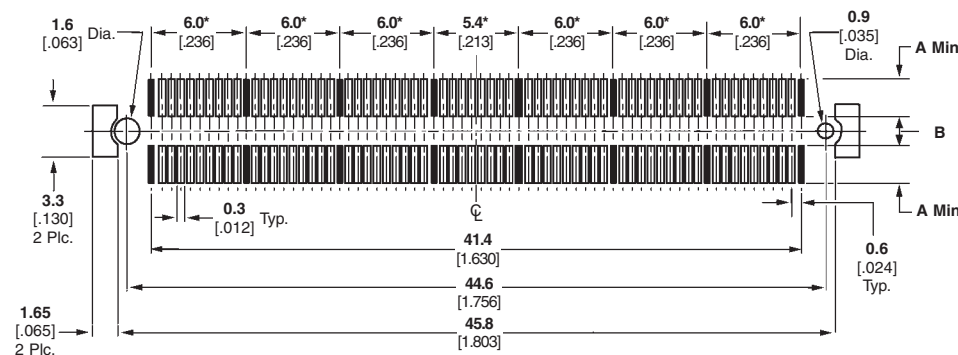
**For 50-Position Standard Plugs**  
**\*Spacing between grounding circuits**



**For 70-Position Standard Plugs**  
**\*Spacing between grounding circuits**



**For 100-Position Standard Plugs**  
**\*Spacing between grounding circuits**



**For 140-Position Standard Plugs**  
**\*Spacing between grounding circuits**

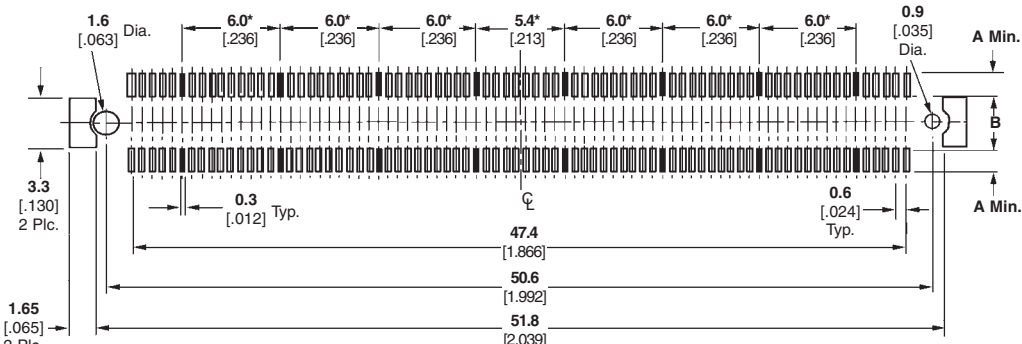
0.6mm Free Height (FH) and GIGA Connectors



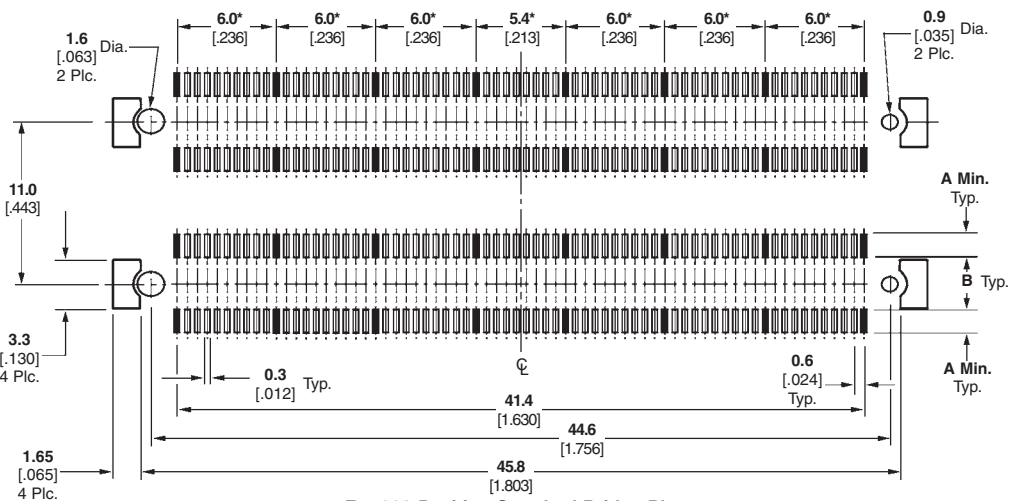
**Recommended PC Board Layouts and Grounding Circuit Positions** (Continued)

**For 160-Position Standard Plugs and 280-Position Standard Bridge Plugs**

| Stacking Height | Dimensions   |             |
|-----------------|--------------|-------------|
|                 | A            | B           |
| 4H              | 2.35<br>.093 | 1.9<br>.075 |
| 6H              | 1.8<br>.071  | 3.4<br>.134 |
| 8H              | 1.8<br>.071  | 3.4<br>.134 |



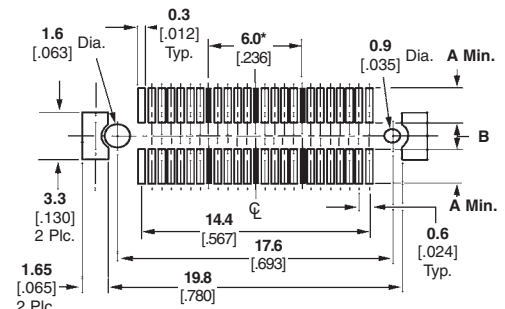
**For 160-Position Standard Plugs**  
\*Spacing between grounding circuits



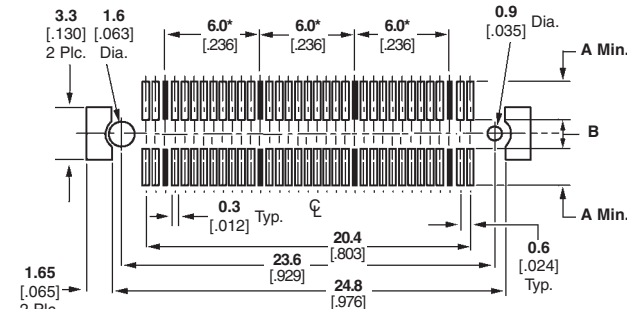
**For 280-Position Standard Bridge Plugs**  
\*Spacing between grounding circuits

**For 50-, 70- and 80-Position GIGA Plugs**

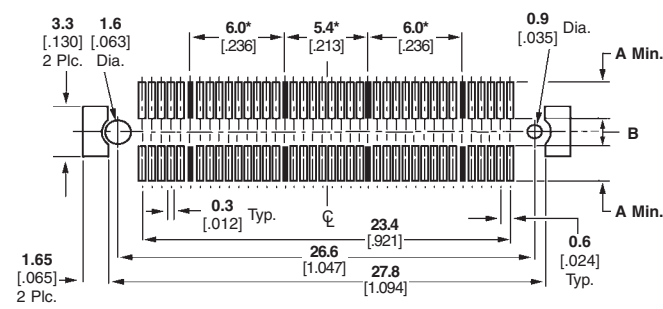
| Stacking Height | Dimensions   |             |
|-----------------|--------------|-------------|
|                 | A            | B           |
| 4H              | 2.35<br>.093 | 1.9<br>.075 |
| 6H              | 1.8<br>.071  | 3.4<br>.134 |
| 7H              | 1.8<br>.071  | 3.4<br>.134 |



**For 50-Position GIGA Plugs**  
\*Spacing between grounding circuits



**For 70-Position GIGA Plugs**  
\*Spacing between grounding circuits



**For 80-Position GIGA Plugs**  
\*Spacing between grounding circuits

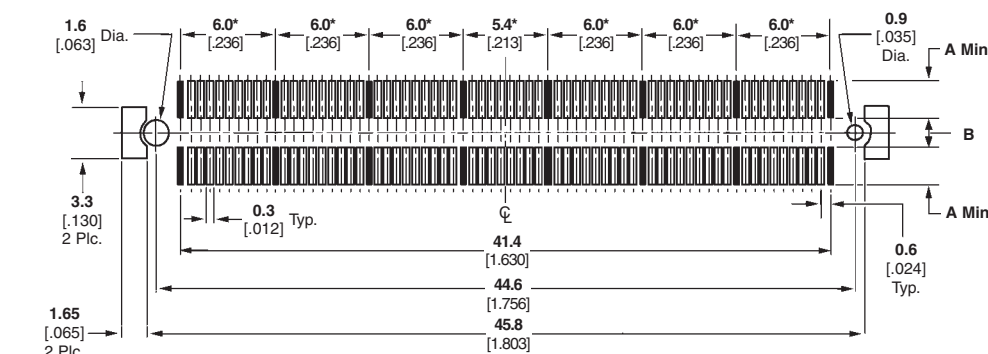
0.6mm Free Height (FH) and GIGA Connectors

0.6mm Free Height (FH) and GIGA Connectors

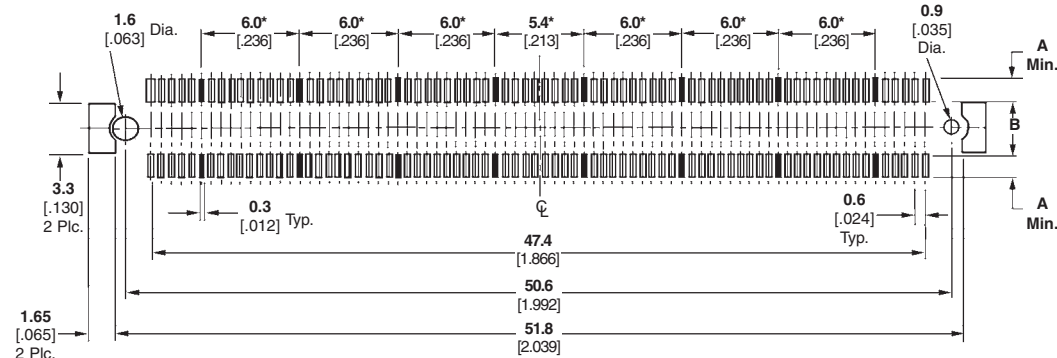
**For 140- and 160-position GIGA Plugs and 280-Position GIGA Bridge Plugs**

| Stacking Height | Dimensions   |             |
|-----------------|--------------|-------------|
|                 | A            | B           |
| 4H              | 2.35<br>.093 | 1.9<br>.075 |
| 5H              | 1.8<br>.071  | 3.4<br>.134 |
| 6H              | 1.8<br>.071  | 3.4<br>.134 |
| 7H              | 1.8<br>.071  | 3.4<br>.134 |
| 8H              | 1.8<br>.071  | 3.4<br>.134 |

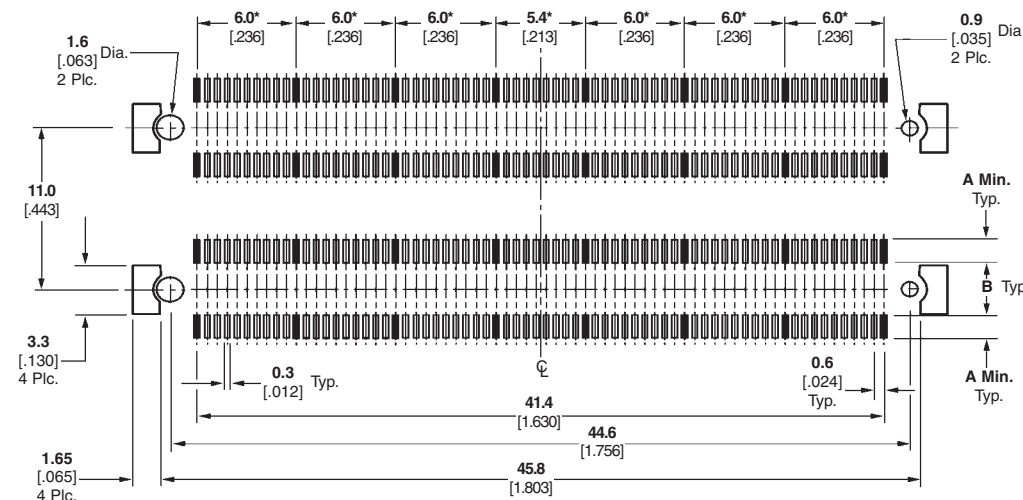
**Recommended PC Board Layouts and Grounding Circuit Positions (Continued)**



**For 140-Position GIGA Plugs**  
\*Spacing between grounding circuits



**For 160-Position GIGA Plugs**  
\*Spacing between grounding circuits



**For 280-Position GIGA Bridge Plugs**  
\*Spacing between grounding circuits

0.6mm Free Height (FH) and GIGA Connectors

## X-ON Electronics

Largest Supplier of Electrical and Electronic Components

*Click to view similar products for [Board to Board & Mezzanine Connectors](#) category:*

*Click to view products by [TE Connectivity](#) manufacturer:*

Other Similar products are found below :

[10135583-642402LF](#) [89885-310LF](#) [589158040000018](#) [6-1393048-0](#) [68683-613](#) [MDF7-12DP-2.54DSA](#) [MDF7-18P-2.54DSA\(01\)](#) [MDF7-20DP-2.54DSA](#) [MDF7-26D-2.54DSA\(55\)](#) [MDF7-3P-2.54DSA\(01\)](#) [MDF7B-20P-2.54DSA\(01\)](#) [MDF7B-3P-2.54DSA\(55\)](#) [MDF7C-18P-2.54DSA\(55\)](#) [MDF7P-5P-2.54DSA\(55\)](#) [75234-0516](#) [FCN-230C068-11](#) [FCN-268F012-G/BD](#) [FCN-268F036-G/BD](#) [FCN-268M012-G/0D](#) [FCN-268M024-G/1D](#) [FCN-360C008-C](#) [FCN-723J004/1](#) [MIS-048-01-F-D-DP-K](#) [832-10-034-10-001000](#) [93696-325LF](#) [11828-1FA](#) [AXK630345P](#) [18097-0013](#) [2007042-2](#) [304400-2](#) [FCN-214Q030-G/0](#) [FCN-215Q040-G/0](#) [FCN-230C068-ESA](#) [FCN-234P048-G/0](#) [FCN-235D050-G/C](#) [FCN-360A3](#) [FCN-360C040-B](#) [210-93-314-41-105000](#) [2-22603-0](#) [379-064-521-202](#) [MDF7-12P-2.54DSA\(01\)](#) [MDF7-16P-2.54DS\(56\)](#) [MDF7-16P-2.54DSA\(55\)](#) [MDF7-40DP-2.54DSA\(55\)](#) [MDF7-8P-2.54DSA\(55\)](#) [AXG720047](#) [5031084030](#) [55323-1519](#) [DF33-2P-3.3DSA\(24\)](#) [DF33-2S-3.3C](#)