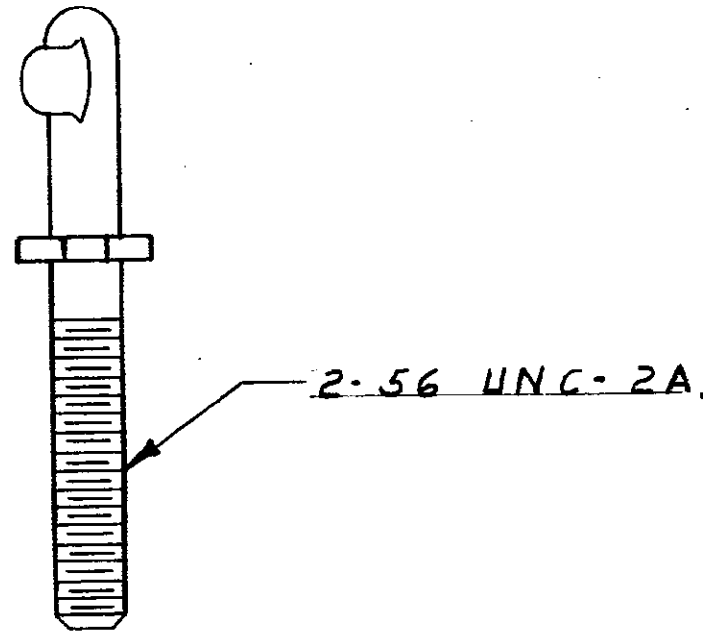
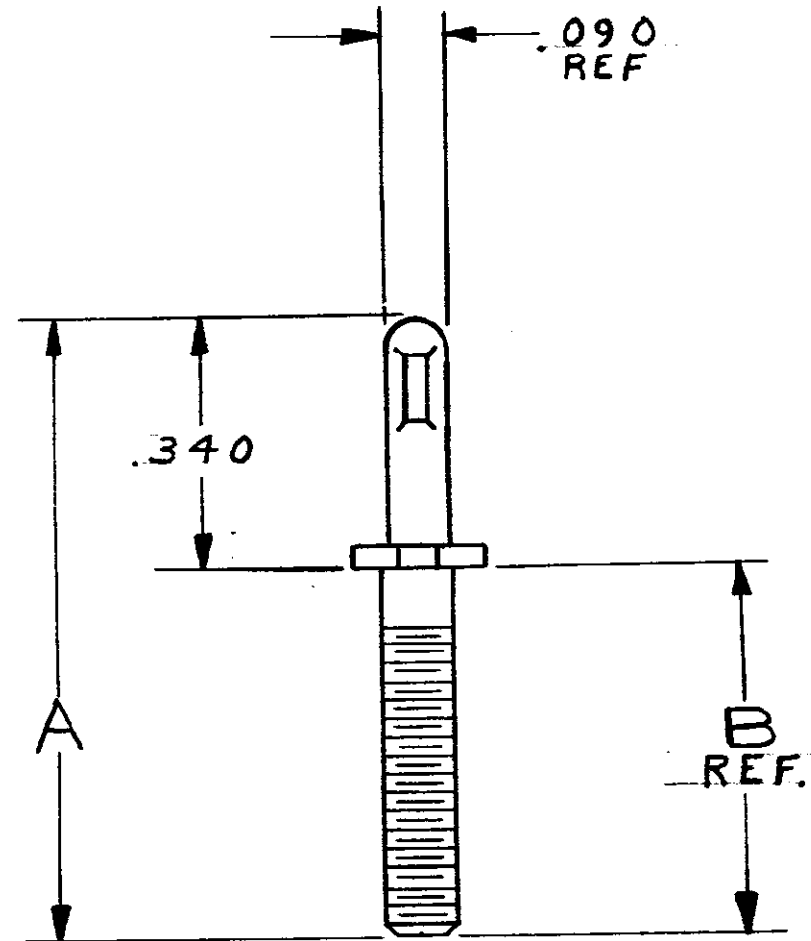


DRAWING MADE IN THIRD ANGLE PROJECTION

© COPYRIGHT 19 BY AMP INCORPORATED, HARRISBURG, PA.
ALL INTERNATIONAL RIGHTS RESERVED. AMP INCORPORATED PRODUCTS
COVERED BY U. S. AND FOREIGN PATENTS AND/OR PATENTS PENDING.

1 LOC AB DIST 39

REVISIONS					
F	ZONE	LTR	DESCRIPTION	DATE	APPROVED
		A	REVISED 7086	12/23/80	DLK
A1		A1	REVISED & ADDED - 2	4/18/84	DLH
		A2	ADD - 3: AB-1690	7-86	db
		A3	ECN AB1865	10/15/88	RKS



.087	.430	531713-4
.280	.620	531713-3
.410	.750	531713-2
.500	.840	531713-1
B	A	PART NO

1. TO BE USED WITH INSERT P/N 531714-1 OR 532782-1 OR -2.

UNLESS OTHERWISE SPECIFIED DIMENSIONS ARE IN INCHES. TOLERANCES ON: DECIMALS ±.005 ANGLES ±	CONTRACT NO 5-29-80	AMP INCORPORATED Harrisburg, Pa.	
	DR <i>M. Smith</i> CHK <i>M. Pritchard</i> 7/29/80 APPD <i>M. Pritchard</i> 7/29/80 APPD <i>F. Parsons</i> 5/24/80	NAME COMBINATION GUIDE, KEYING PIN	
MATERIAL STAINLESS STEEL	DSGN APPD	SIZE B	CODE IDENT NO 00779
FINISH PASSIVATED	OTHER APPD	DRAWING NO 531713	SHEET
		SCALE 4:1	

CUSTOMER DRAWING

X-ON Electronics

Largest Supplier of Electrical and Electronic Components

Click to view similar products for [Headers & Wire Housings](#) category:

Click to view products by [TE Connectivity](#) manufacturer:

Other Similar products are found below :

[95000-104TRLF](#) [10135584-644402LF](#) [DF62W-EP2022PCA](#) [95000-106TRLF](#) [DF62W-2022SCA](#) [DF62W-EP2022PC](#) [2203348](#) [DF62W-2022SC](#) [1084018](#) [1029039](#) [1084017](#) [802-10-012-10-002000](#) [1112640](#) [1112639](#) [000-34000](#) [0009482033](#) [0009507031](#) [57102-S06-03LF](#) [57202-S52-04LF](#) [PCN6-15S-2.5E](#) [0039019024](#) [58102-G61-06LF](#) [582553-1](#) [0009508121](#) [0050291907](#) [018731A](#) [LY20-4P-DT1-P1E-BR](#) [02.125.8002.8](#) [60101931](#) [60598-1 \(Cut Strip\)](#) [M1625-3R/100](#) [61062-3](#) [61082-181009](#) [636-1427](#) [638009-1](#) [641938-9](#) [641991-4](#) [644168-1](#) [647662-1](#) [65039-019ELF](#) [65817-002LF](#) [65817-015LF](#) [65863-015LF](#) [66207-023LF](#) [67016-026LF](#) [67046-001LF](#) [67095-007LF](#) [68002-116](#) [68016-236H](#) [68648-049](#)