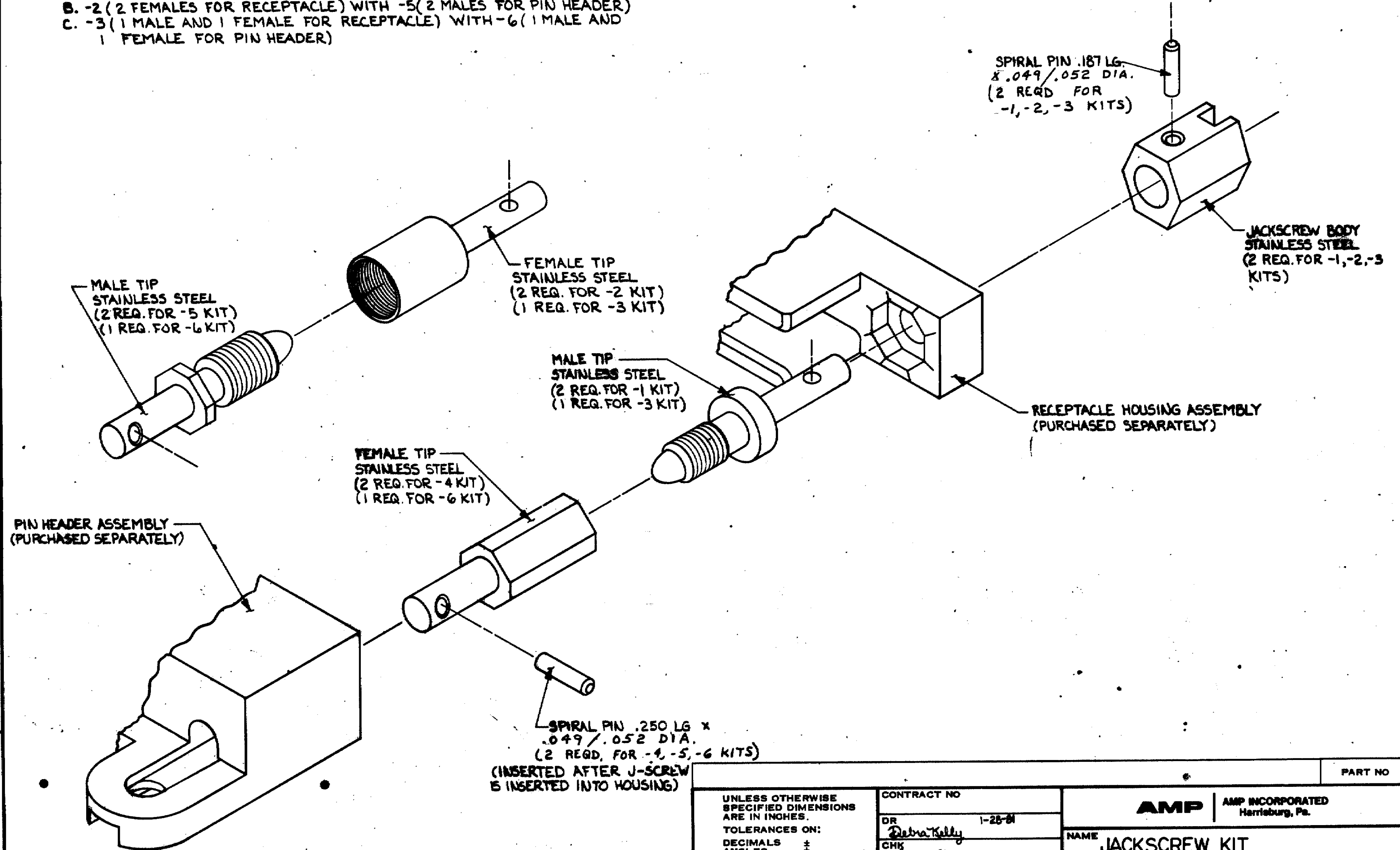


REVISIONS						
P	F	ZONE	LTR	DESCRIPTION	DATE	APPROVED
				WAS 5088-690	3-10-81	
			A	REVISED 7547	9-3-81	<i>Emp</i>
			B	REV. PER ECN-AB-0283	6-29-84	EAM

DRAWING MADE IN THIRD ANGLE PROJECTION

© COPYRIGHT 19 BY AMP INCORPORATED, HARRISBURG, PA. ALL INTERNATIONAL RIGHTS RESERVED. AMP INCORPORATED PRODUCTS COVERED BY U. S. AND FOREIGN PATENTS AND/OR PATENTS PENDING.

- I. SUGGESTED USAGE KITS-
- A. -1 (2 MALES FOR RECEPTACLE) WITH -4 (2 FEMALES FOR PIN HEADER)
 - B. -2 (2 FEMALES FOR RECEPTACLE) WITH -5 (2 MALES FOR PIN HEADER)
 - C. -3 (1 MALE AND 1 FEMALE FOR RECEPTACLE) WITH -6 (1 MALE AND 1 FEMALE FOR PIN HEADER)



UNLESS OTHERWISE SPECIFIED DIMENSIONS ARE IN INCHES. TOLERANCES ON: DECIMALS ± ANGLES ±		CONTRACT NO		AMP INCORPORATED Harrisburg, Pa.	
MATERIAL		DR <i>Debra Kelly</i> 1-28-81		NAME JACKSCREW KIT FOR BOX CONNECTOR CABLE USAGE	
FINISH		CHK <i>Ray W. Durbin</i>		SIZE CODE IDENT NO DRAWING NO	
		APPD <i>Ray W. Durbin</i>		C 00779 531993	
		APPD <i>E. Parsons</i> 3-12-81		SCALE 5x1 SHEET 106f	
		DSGN APPD			
		OTHER APPD			

X-ON Electronics

Largest Supplier of Electrical and Electronic Components

Click to view similar products for [Headers & Wire Housings](#) category:

Click to view products by [TE Connectivity](#) manufacturer:

Other Similar products are found below :

[95000-104TRLF](#) [10135584-644402LF](#) [DF62W-EP2022PCA](#) [95000-106TRLF](#) [DF62W-2022SCA](#) [DF62W-EP2022PC](#) [2203348](#) [DF62W-2022SC](#) [1084018](#) [1029039](#) [1084017](#) [802-10-012-10-002000](#) [1112640](#) [1112639](#) [891-007-9SS-BST1T](#) [000-34000](#) [0008550134](#) [0009482033](#) [0009507031](#) [57102-F02-18ULF](#) [57102-S06-03LF](#) [57202-S52-04LF](#) [PCN6-15S-2.5E](#) [0039019024](#) [58102-G61-06LF](#) [582553-1](#) [0009485154](#) [0009508121](#) [009176003701906](#) [0022285053](#) [0050291907](#) [018731A](#) [LY20-4P-DT1-P1E-BR](#) [02.125.8002.8](#) [60101931](#) [60598-1 \(Cut Strip\)](#) [M1625-3R/100](#) [61062-3](#) [61082-181009](#) [CSU011177004](#) [636-1427](#) [638009-1](#) [641938-9](#) [641991-4](#) [644168-1](#) [644827-2](#) [647662-1](#) [65039-019ELF](#) [65692-001LF](#) [65781-018](#)