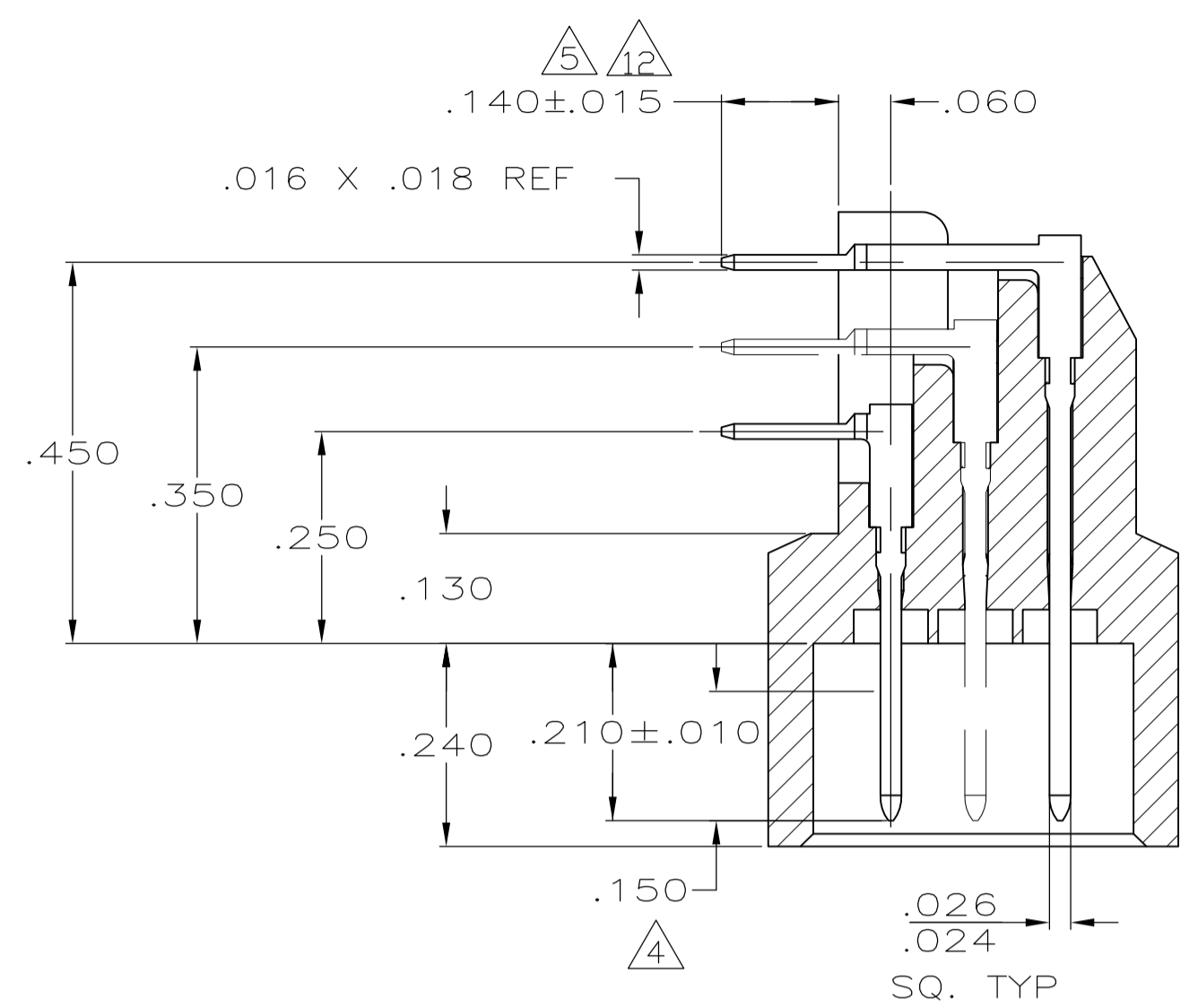
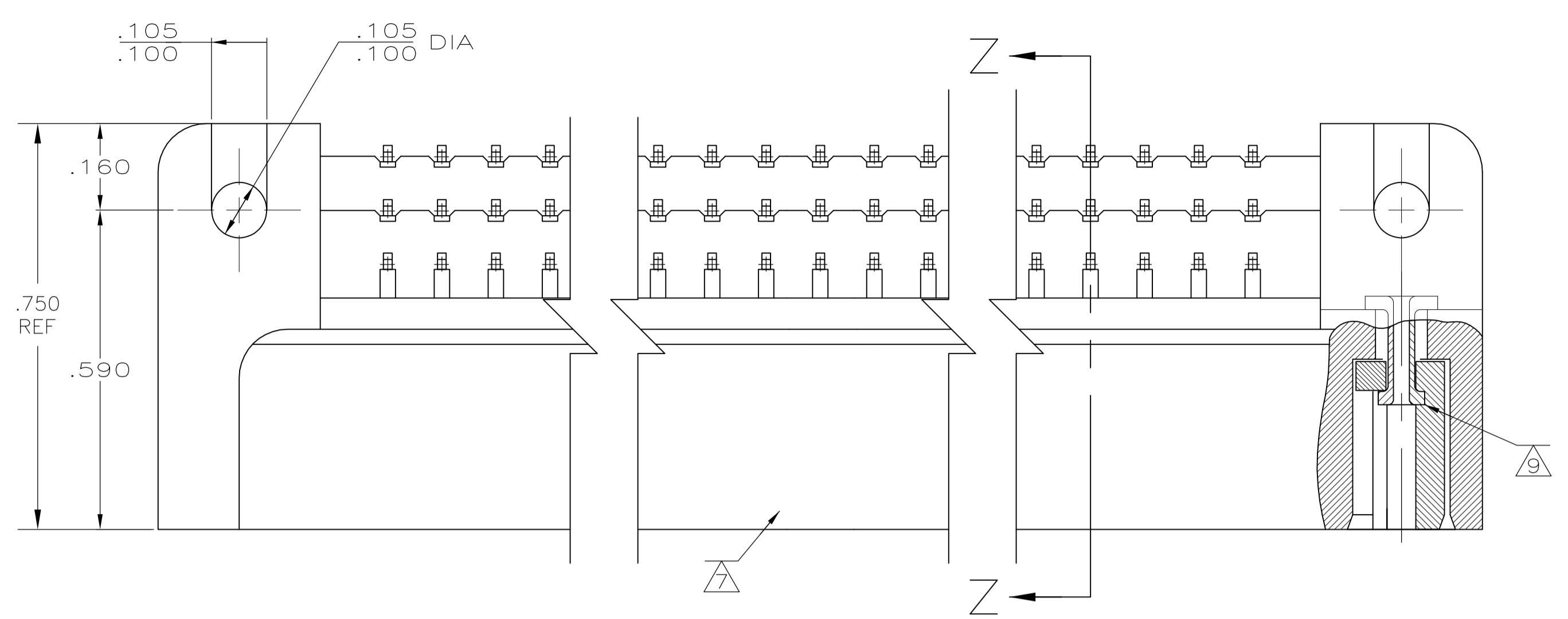
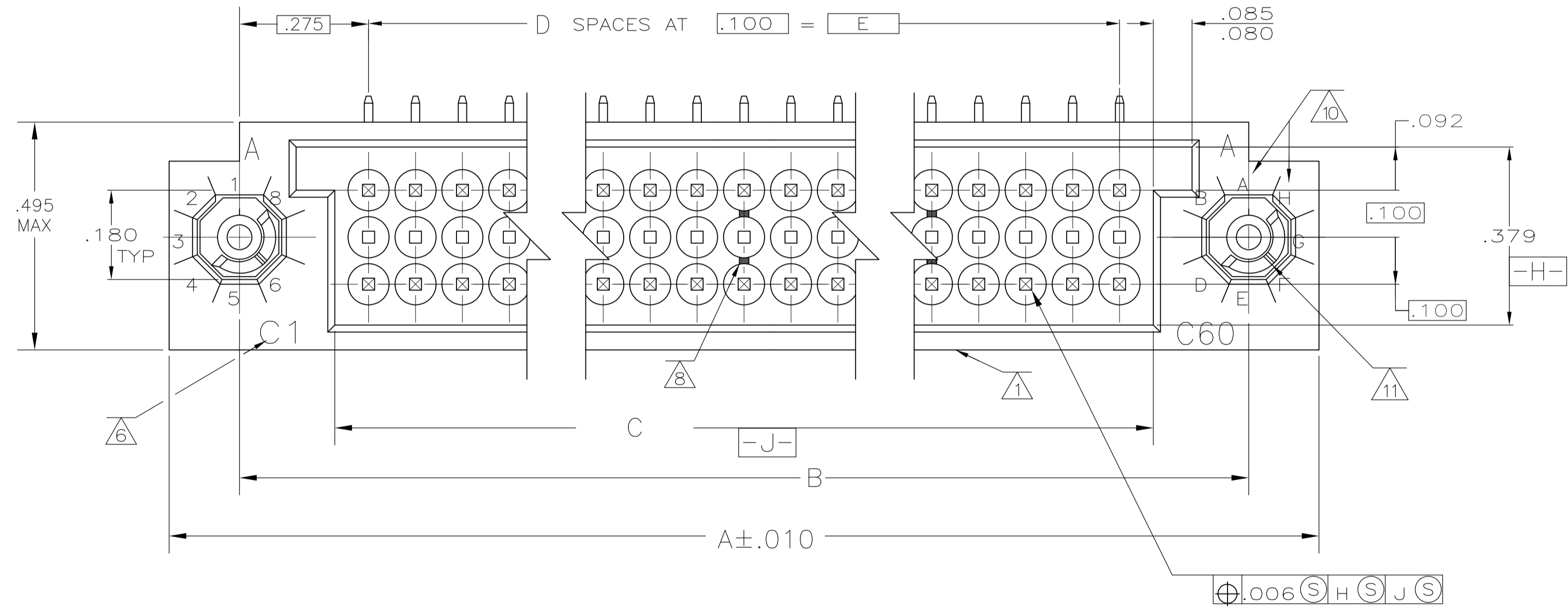


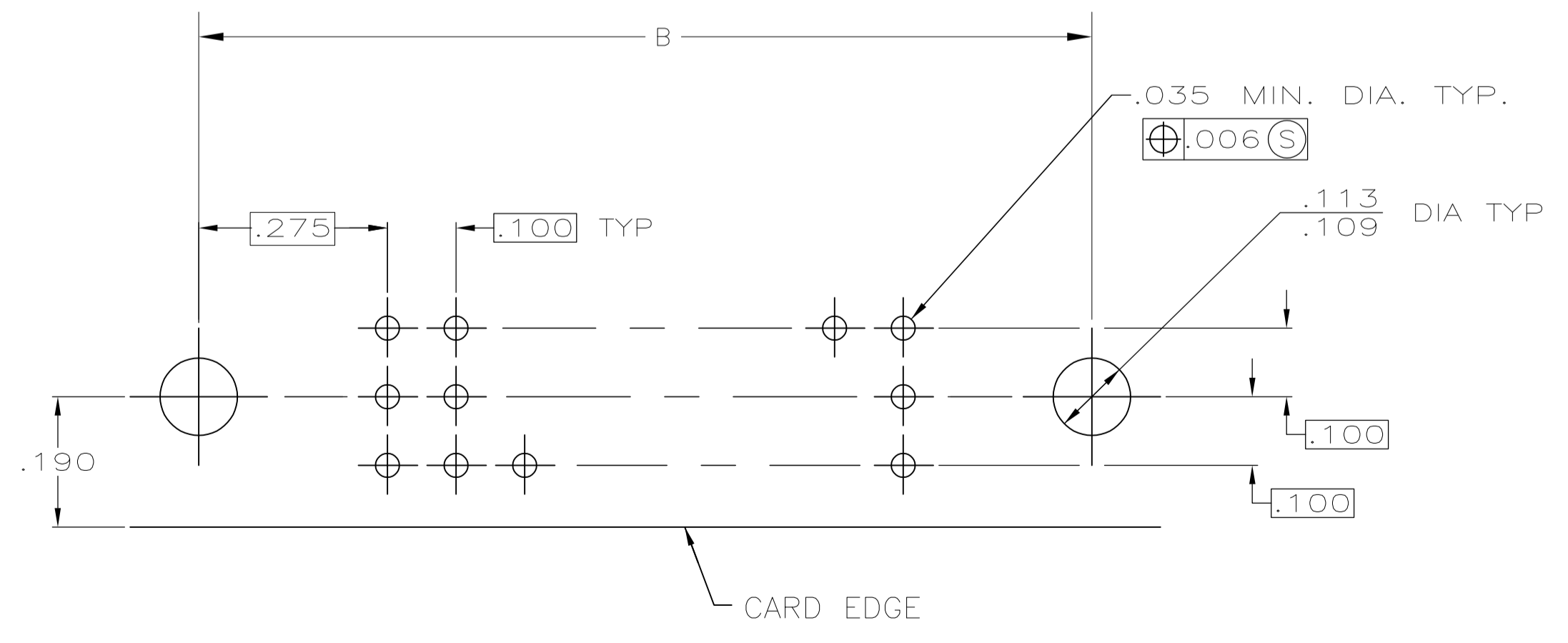
LOC		DIST		REVISIONS			
P	LTR	DESCRIPTION	DATE	DMN	APVD		
J		REV PER ECO 13-001950	2-13-13	CT	DM		



SECTION Z-Z



- ① CUSTOMER P/N, AMP, DATE CODE, AMP P/N, MARKED THIS SIDE.
- ② HOUSING MATERIAL: POLYPHENYLENE SULFIDE, GST-40F, PER MIL-M-24519.
- ③ CONTACT MATERIAL: BRASS
- ④ FINISH: .000030 GOLD OVER .000050 NICKEL IN CONTACT AREA.
- ⑤ FINISH:.000100 TIN LEAD OVER .000050 NICKEL.
- ⑥ LETTERS INDICATING OUTSIDE ROWS AND NUMBERS INDICATING END CAVITIES MARKED THIS SURFACE.
- ⑦ NUMBERS INDICATING EVERY FIVE CAVITIES MARKED ON BOTH SIDES.
- ⑧ LINES INDICATING EVERY FIVE CAVITIES MARKED ON MATING FACE.
- ⑨ KEY MUST BE CAPTIVATED BY RIVET. ROLLED EDGES OF RIVET MUST BE TIGHT TO KEY FOR AT LEAST 270° OF CONTACT SURFACES.
- ⑩ KEY POSITION IDENTIFICATION MOLDED ON SURFACE SHOWN.
- ⑪ CENTER SCORE MARK ON KEY TO POINT TOWARD NUMBER AND LETTER SPECIFIED BY KEYING CODE CHART PER ASSY DASH NUMBER.
- ⑫ FINISH:.000100 TIN OVER .000050 NICKEL.



PC BOARD LAYOUT

⑫	FULLY LOADED	E-1	-	5.900	59	6.044	6.450	6.750	180	5-532012-2	
⑫	FULLY LOADED	H-8	768485-76	5.900	59	6.044	6.450	6.750	180	1-532012-2	
⑤	OBSOLETE	60 IN ROW A & 60 IN C	H-8	768485-88	5.900	59	6.044	6.450	6.750	180	1-532012-1
⑤	OBSOLETE	60 IN ROW A & 60 IN C	F-6	768485-87	5.900	59	6.044	6.450	6.750	180	1-532012-0
⑤	OBSOLETE	60 IN ROW A & 60 IN C	D-3	768485-77	5.900	59	6.044	6.450	6.750	180	532012-9
⑤	OBSOLETE	60 IN ROW A & 60 IN C	G-7	768485-78	5.900	59	6.044	6.450	6.750	180	532012-8
⑤	OBSOLETE	60 IN ROW A & 60 IN C	A-5	768485-86	5.900	59	6.044	6.450	6.750	180	532012-7
⑤	OBSOLETE	FULLY LOADED	A-5	768485-73	5.900	59	6.044	6.450	6.750	180	532012-6
⑤	OBSOLETE	60 IN ROW A & 60 IN C	D-2	768485-81	5.900	59	6.044	6.450	6.750	180	532012-5
⑤	OBSOLETE	60 IN ROW A & 60 IN C	C-3	768485-80	5.900	59	6.044	6.450	6.750	180	532012-4
⑤	60 IN ROW A & 60 IN C	B-4	768485-79	5.900	59	6.044	6.450	6.750	180	532012-3	
⑤	FULLY LOADED	E-1	768485-75	5.900	59	6.044	6.450	6.750	180	532012-2	
⑤	FULLY LOADED	F-6	768485-74	5.900	59	6.044	6.450	6.750	180	532012-1	
⑤	CONTACTS LOADED	KEY CODE	CUST. P/N	E	D	C	B	A	NO. OF POSN.	PART NO	

THIS DRAWING IS A CONTROLLED DOCUMENT. **STE** TE Connectivity

DIMENSIONS: INCHES	TOLERANCES UNLESS OTHERWISE SPECIFIED:	DIN W.D. KISELA 4-23-93	NAME
0 PLC ± .005	1 PLC ± .005	CHK D. MILLER 5-10-93	PIN HEADER ASSY, RIGHT ANGLE
2 PLC ± .005	3 PLC ± .005	APVD D. MILLER 5-10-93	3 ROW, .100, WITH MOUNTING EARS
4 PLC ± .005	ANGLES ± .005	PRODUCT SPEC	
MATERIAL	FINISH	APPLICATION SPEC	
		SIZE	A1
		WEIGHT	00779
		DRAWING NO	532012
		CUSTOMER DRAWING	SCALE 5:1 SHEET 1 OF 1 REV J

X-ON Electronics

Largest Supplier of Electrical and Electronic Components

Click to view similar products for [Headers & Wire Housings](#) category:

Click to view products by [TE Connectivity](#) manufacturer:

Other Similar products are found below :

[95000-104TRLF](#) [10135584-644402LF](#) [DF62W-EP2022PCA](#) [95000-106TRLF](#) [DF62W-2022SCA](#) [DF62W-EP2022PC](#) [2203348](#) [DF62W-2022SC](#) [1084018](#) [1029039](#) [1084017](#) [802-10-012-10-002000](#) [1112640](#) [1112639](#) [891-007-9SS-BST1T](#) [000-34000](#) [0008550134](#) [0009482033](#) [0009507031](#) [57102-F02-18ULF](#) [57102-S06-03LF](#) [57202-S52-04LF](#) [PCN6-15S-2.5E](#) [0039019024](#) [58102-G61-06LF](#) [582553-1](#) [0009485154](#) [0009508121](#) [0022285053](#) [0050291907](#) [018731A](#) [LY20-4P-DT1-P1E-BR](#) [02.125.8002.8](#) [60101931](#) [60598-1 \(Cut Strip\)](#) [M1625-3R/100](#) [61062-3](#) [61082-181009](#) [CSU011177004](#) [636-1427](#) [638009-1](#) [641938-9](#) [641991-4](#) [644168-1](#) [644827-2](#) [647662-1](#) [65039-019ELF](#) [65692-001LF](#) [65781-018](#) [65781-047](#)