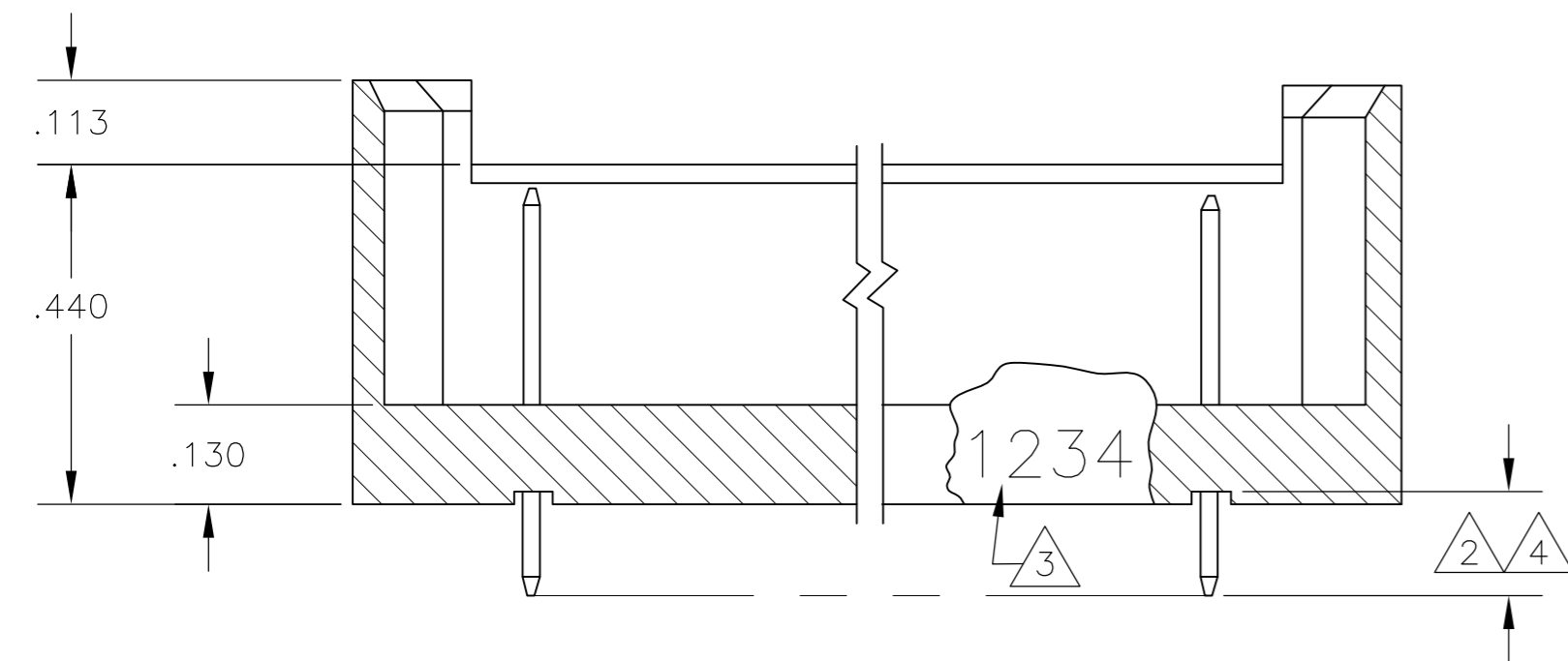
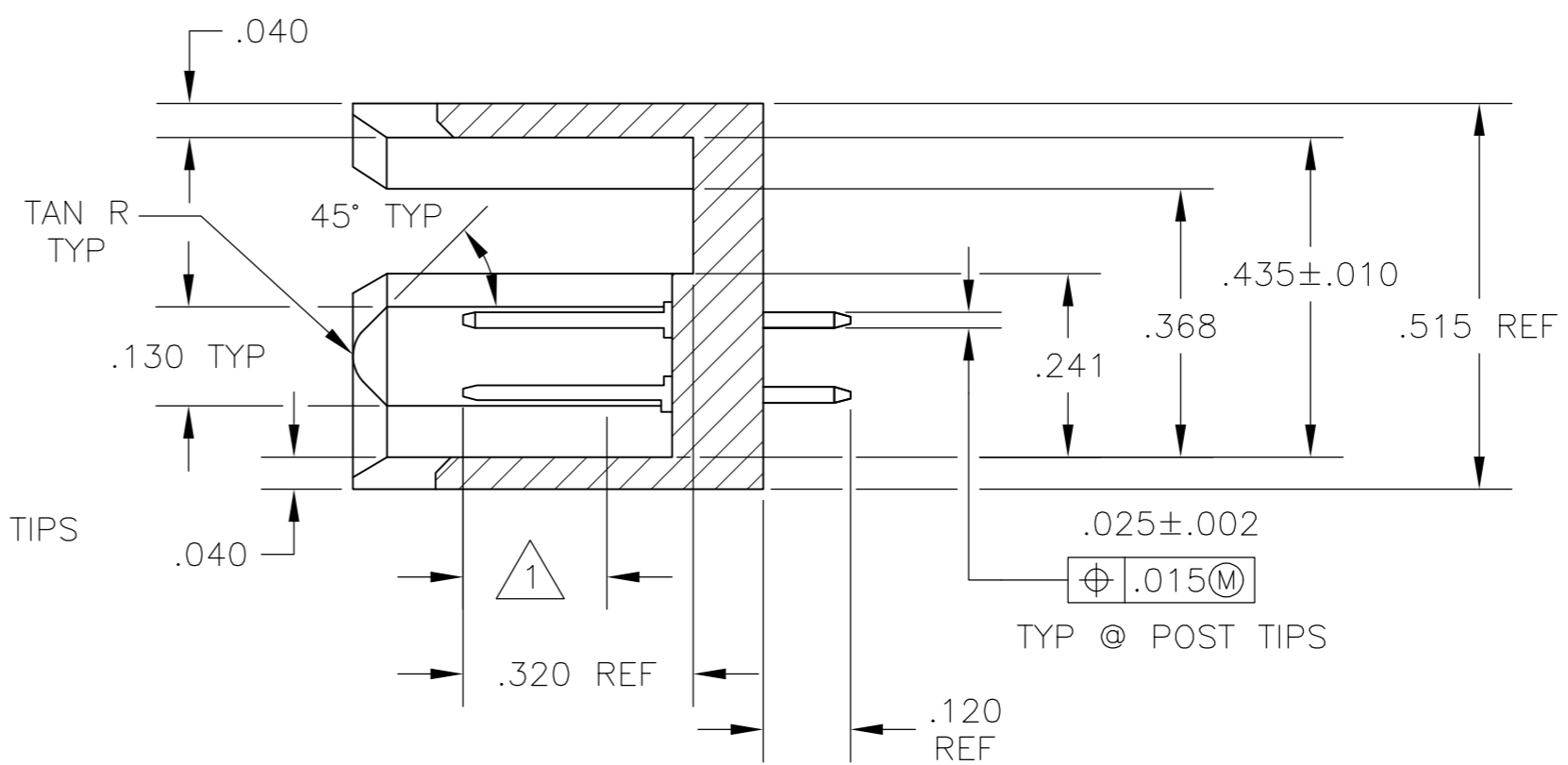
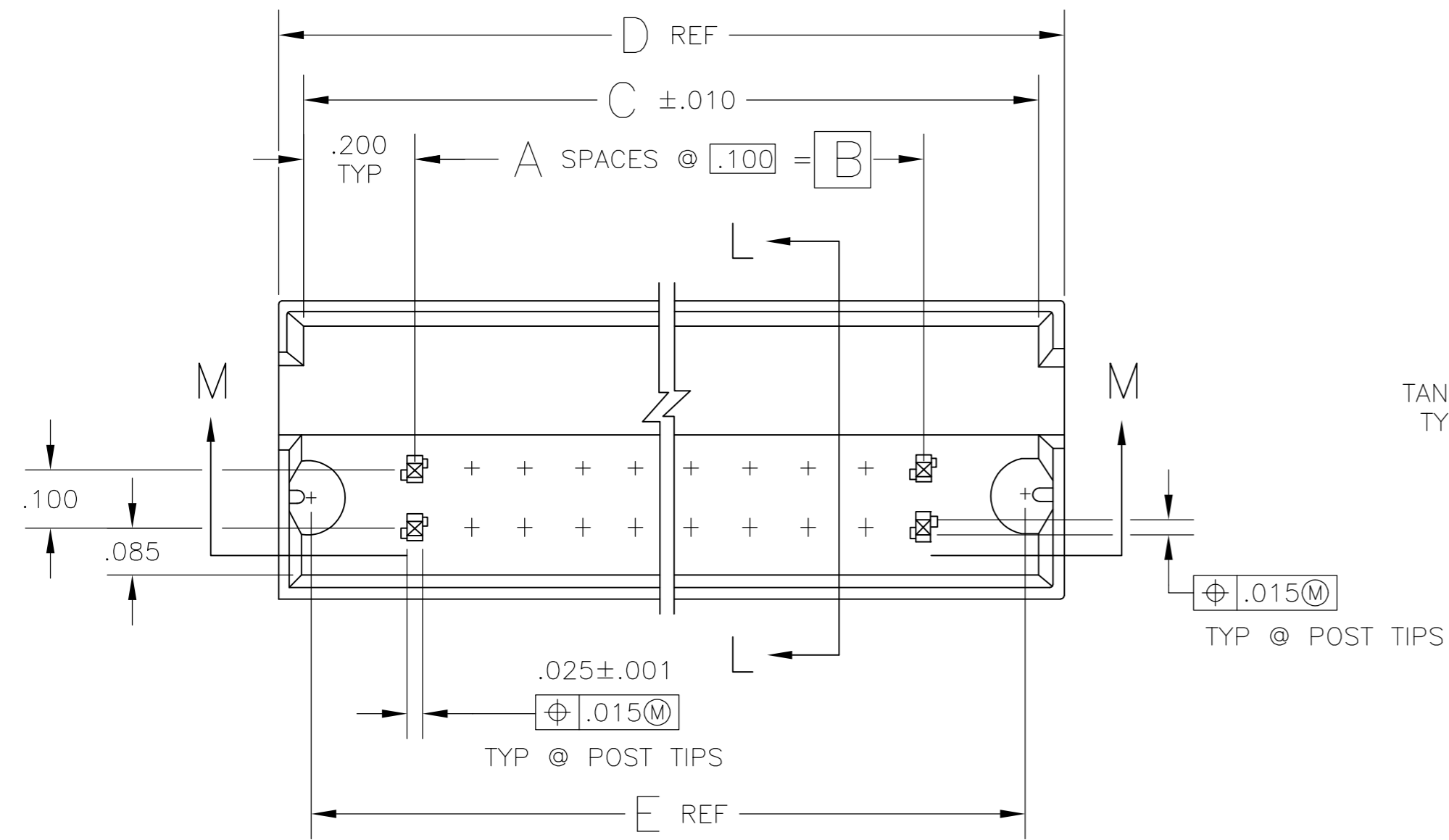
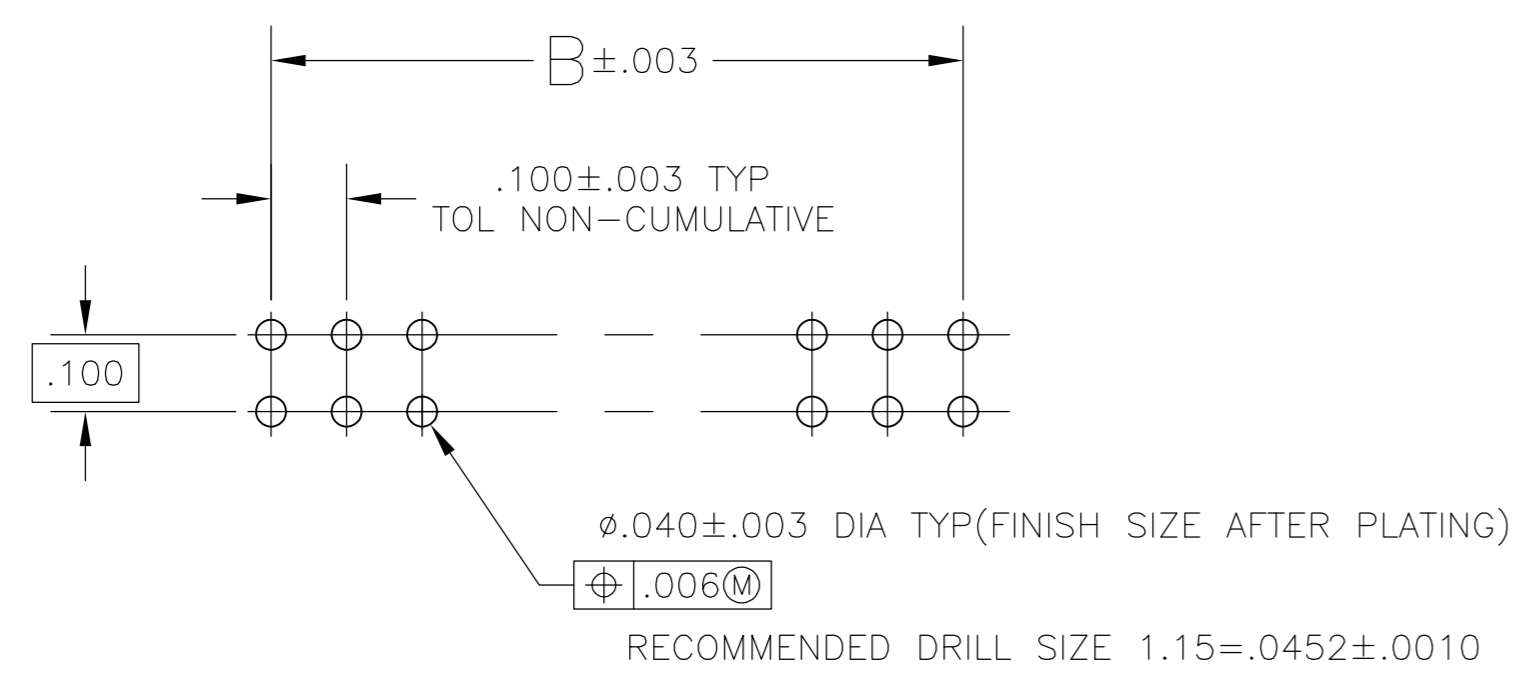


THIS DRAWING IS UNPUBLISHED. RELEASED FOR PUBLICATION
 © COPYRIGHT BY TYCO ELECTRONICS CORPORATION. ALL RIGHTS RESERVED.

LOC		DIST		REVISIONS			
P	LTR	DESCRIPTION	DATE	DWN	APVD		
	K1	ECO-06-016522	24AUG06	BSV	JO		
	K2	REVISED PER ECO-09-021510	11SEP09	KK	AEG		



SECTION M-M



RECOMMENDED HOLE LAYOUT

- 1 FINISH OVER INDICATED AREA: .000030 GOLD OVER .000050 NICKEL.
- 2 FINISH OVER INDICATED AREA: .000100-.000200 TIN OVER .000050 NICKEL.
- 3 RECESSED DATE CODE.
- 4 FINISH OVER INDICATED AREA: .000100-.000200 MATTE TIN OVER .000050 NICKEL
- 5 ROHS 2002/95/EC COMPLIANT
- 6 OBSOLETE PARTS: OBSOLETE CIS STREAMLINING PER D.RENAUD/D.SINISI

	$\Delta 1 \Delta 4$	1.470	1.580	1.500	1.100	11	24	$\Delta 5$	5-533023-8
	$\Delta 1 \Delta 4$	2.770	2.880	2.800	2.400	24	50	$\Delta 5$	5-533023-3
OBSOLETE	$\Delta 1 \Delta 2$	7.270	7.380	7.300	6.900	69	140		533023-9
	$\Delta 1 \Delta 2$	1.470	1.580	1.500	1.100	11	24		533023-8
OBSOLETE	$\Delta 1 \Delta 2$.870	.980	.900	.500	5	12		533023-7
OBSOLETE	$\Delta 1 \Delta 2$	2.270	2.380	2.300	1.900	19	40		533023-6
OBSOLETE									
OBSOLETE	$\Delta 1 \Delta 2$	5.270	5.380	5.300	4.900	49	100		533023-4
OBSOLETE	$\Delta 1 \Delta 2$	2.770	2.880	2.800	2.400	24	50		533023-3
OBSOLETE	$\Delta 1 \Delta 2$	5.270	6.380	6.300	5.900	59	120		533023-2
OBSOLETE	$\Delta 1 \Delta 2$	4.270	4.380	4.300	3.900	39	80		533023-1
		FINISH	E	D	C	B	A	NO. OF POSN	PART NO

THIS DRAWING IS A CONTROLLED DOCUMENT.		DWN 08MAR85	Tyco Electronics Corporation Harrisburg, Pa 17105-3608	
DIMENSIONS: INCHES	TOLERANCES UNLESS OTHERWISE SPECIFIED:	CHK 15MAR85 DOUGLAS SARVER	NAME	
	0 PLC ± - 1 PLC ± - 2 PLC ± - 3 PLC ± .005 4 PLC ± - ANGLES ± -	APVD 15MAR85	PRODUCT SPEC	
	FINISH		APPLICATION SPEC	
MATERIAL: GLASS FILLED NYLON, COLOR, BLACK POST: COPPER ALLOY	$\Delta 1 \Delta 2 \Delta 4$	WEIGHT -	SIZE A2	CAGE CODE 00779
		CUSTOMER DRAWING	DRAWING NO C=533023	RESTRICTED TO
		SCALE 4:1	SHEET 1 OF 1	REV K2

533023

A

X-ON Electronics

Largest Supplier of Electrical and Electronic Components

Click to view similar products for [Headers & Wire Housings](#) category:

Click to view products by [TE Connectivity](#) manufacturer:

Other Similar products are found below :

[892-18-020-10-001101](#) [58102-G61-06LF](#) [582553-1](#) [0009485154](#) [009176003701906](#) [0050291907](#) [LY20-4P-DT1-P1E-BR](#) [02.125.8002.8](#)
[609-3404](#) [61062-3](#) [61082-181009](#) [622-3653LF](#) [63453-116](#) [636-1030](#) [636-1427](#) [636-3427](#) [636-4007](#) [641938-9](#) [641991-4](#) [644827-2](#) [65817-](#)
[010LF](#) [65817-015LF](#) [65863-015LF](#) [66207-023LF](#) [67095-007LF](#) [67601157](#) [68645-018](#) [68648-049](#) [70.362.1628.0](#) [70-4210](#) [70-4226B](#) [70-](#)
[4853B](#) [707-5020](#) [707-5028](#) [71.350.2428.0](#) [71918-208LF](#) [71961-016LF](#) [733-134](#) [733-162](#) [754199-000](#) [760-3052](#) [787-8014-00](#) [79531-3000](#)
[FCN-360C032-B](#) [FCN-367T-T012/H](#) [FCN-723D010/2](#) [80.063.4001.1](#) [800-90-001-10-001000](#) [800-90-010-10-002000](#) [801-43-002-10-013000](#)