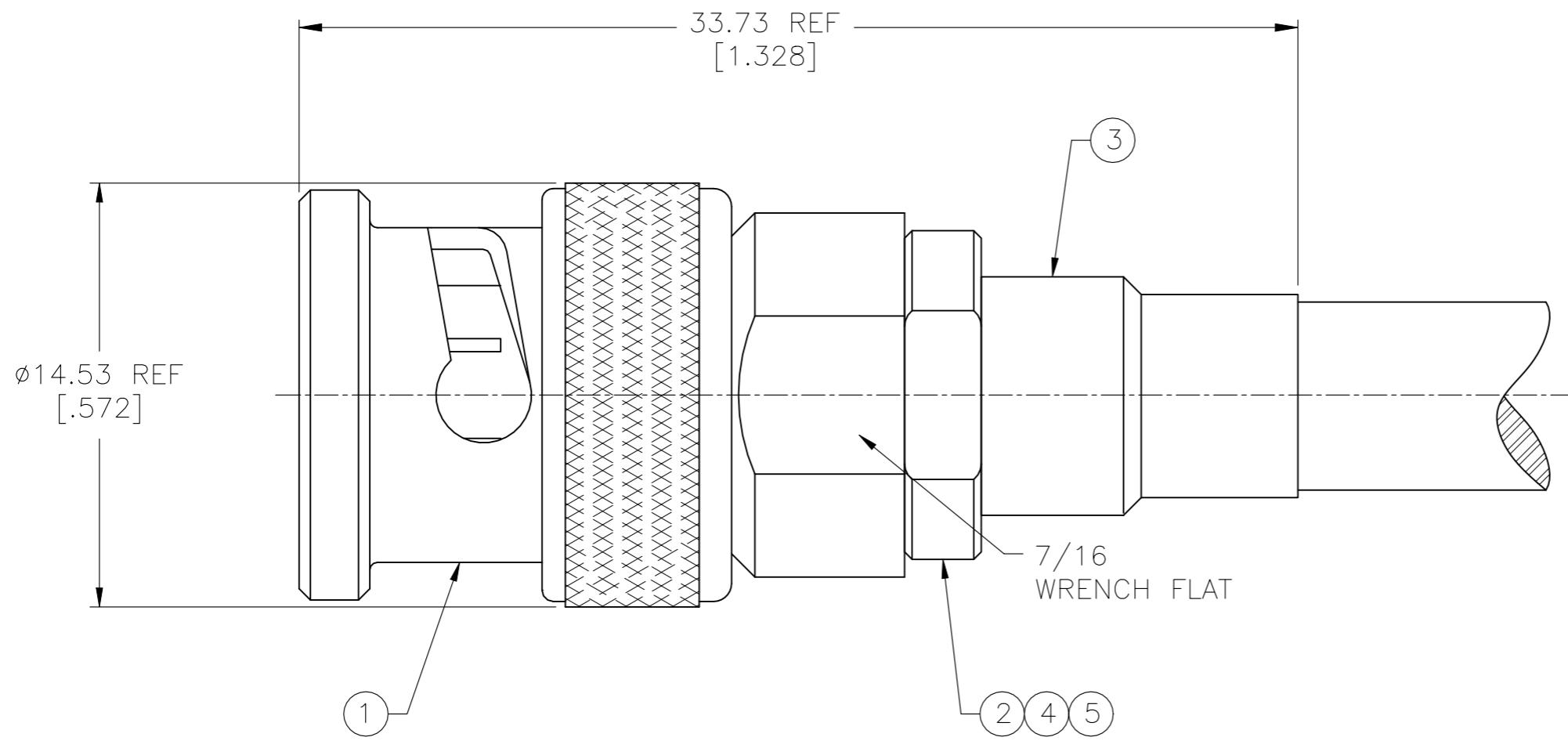


© - TE Connectivity. All Rights Reserved.

REVISIONS					
P	LTR	DESCRIPTION	DATE	DWN	APVD
	A2	REVISED PER ECN-21-122181	26OCT2021	RZ	WK



- USE PRO-CRIMPER 354940-1 WITH DIE SET 91909-1.
- SEE INSTRUCTION SHEET 408-2055.
- PARTS PACKAGED UNASSEMBLED.
- △** OBSOLETE PARTS: OBSOLETE CIS STREAMLINING PER D.RENAUD/D.SINISI

<b>△</b> 4	OBSOLETE	ROLM 49D2401 TWINAX	332214	332222-1	9-332224-0	1-332221-5	5-330949-0	<del>5332225-6</del>
		RG 108/U & 108A/U	332214	332222-1	9-332224-0	1-332221-4	5-330949-0	5332225-5
<b>△</b> 4	OBSOLETE	TROMPETER TWC-124-2	332214	332222	9-332224-1	1-332221-3	2-330949-2	<del>5332225-3</del>
		RG 108/U & 108A/U	332214	332222	9-332224-1	332221	2-330949-2	5332225
		FOR USE WITH CABLE	<b>⑤</b> SEAL QTY=1	<b>④</b> DIELECTRIC QTY=1	<b>③</b> FERRULE QTY=1	<b>②</b> CRIMP END QTY=1	<b>①</b> PLUG ASSY QTY=1	PART NO.

THIS DRAWING IS A CONTROLLED DOCUMENT.

DIMENSIONS: mm [INCHES]	TOLERANCES UNLESS OTHERWISE SPECIFIED:	DWN L. VARELA - 21APR2005	<b>STE</b> TE Connectivity			
	0 PLC ± - 1 PLC ± - 2 PLC ± - 3 PLC ± - 4 PLC ± - ANGLES ± 1°	CHK J. HAVENER - 21APR2005				
MATERIAL	FINISH	APVD J. LIPPERT - 21APR2005	NAME PLUG, TWIN BNC			
		PRODUCT SPEC	SIZE	CAGE CODE	DRAWING NO	RESTRICTED TO
		APPLICATION SPEC	WEIGHT	A3	00779	C-5332225
			CUSTOMER DRAWING			SCALE 5:1
						SHEET 1 OF 1
						REV A2

## X-ON Electronics

Largest Supplier of Electrical and Electronic Components

*Click to view similar products for [RF Connectors / Coaxial Connectors](#) category:*

*Click to view products by [TE Connectivity](#) manufacturer:*

Other Similar products are found below :

[8915-1511-000](#) [89674-0827](#) [6001-7071-019](#) [6002-7051-003](#) [6002-7551-202](#) [6059674-1](#) [619550-1](#) [630059-000](#) [M39030/3-01N](#) [6500-7071-046](#) [6769](#) [CX050L2AQ](#) [7002-1541-010](#) [7002-1542-011](#) [7004-1512-000](#) [7009-1511-004](#) [7010-1511-000](#) [7029-1511-060](#) [7101-1541-010](#) [7101-1571-002](#) [7145-1521-002](#) [7203-1571-003](#) [7209-1511-011](#) [7210-1511-015](#) [7210-1511-019](#) [73137-5015](#) [73216-2241](#) [73404-2300](#) [7405-1521-005](#) [7405-1521-802](#) [8527](#) [8547](#) [FS11V](#) [877931](#) [8808-1511-001](#) [9049-9513-000](#) [9074-9513-000](#) [9101-9573-002](#) [910A205F](#) [9130-9573-002](#) [PL11SC-026](#) [PL375-33](#) [PL40-5](#) [PL74C-221](#) [PL75MC-217](#) [PL803-7](#) [1200690078](#) [1-201144-1](#) [R107003010W](#) [R110A172100](#)