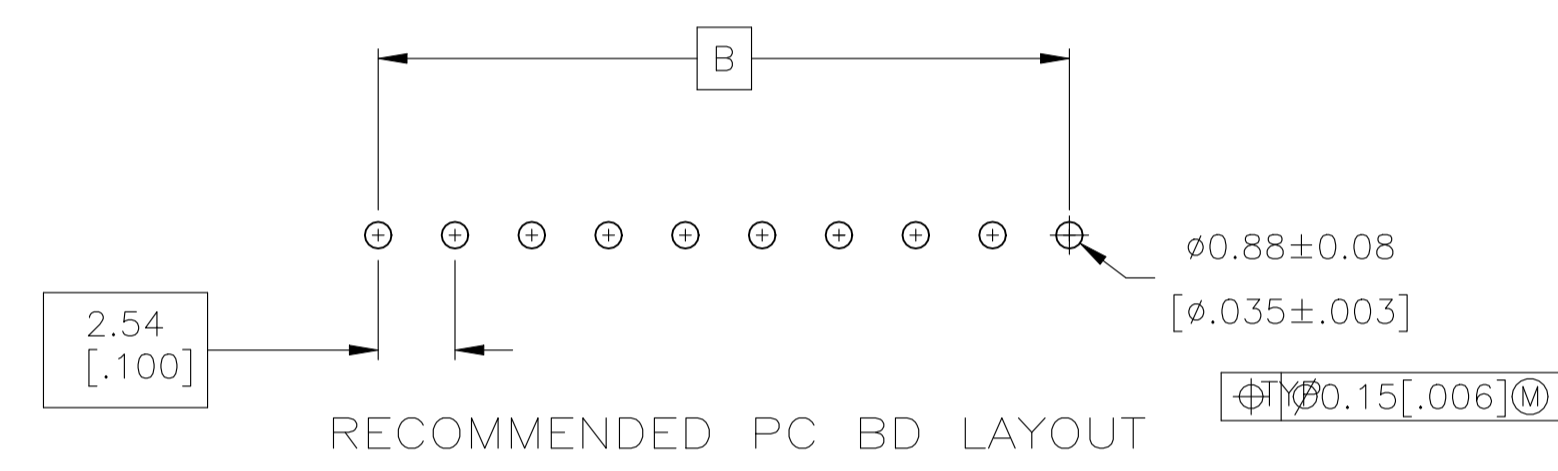
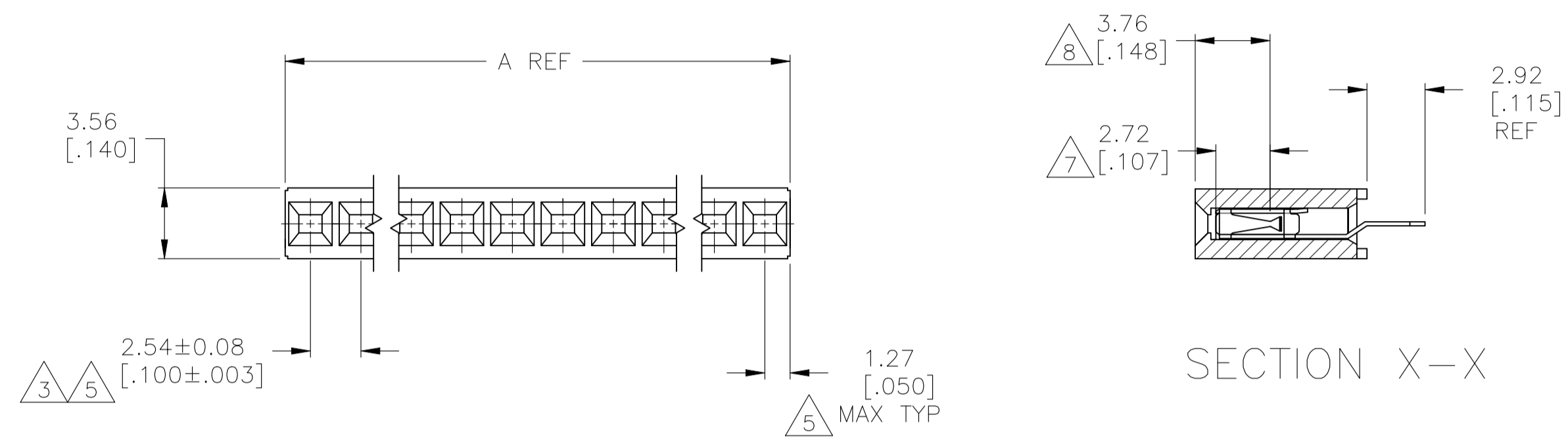
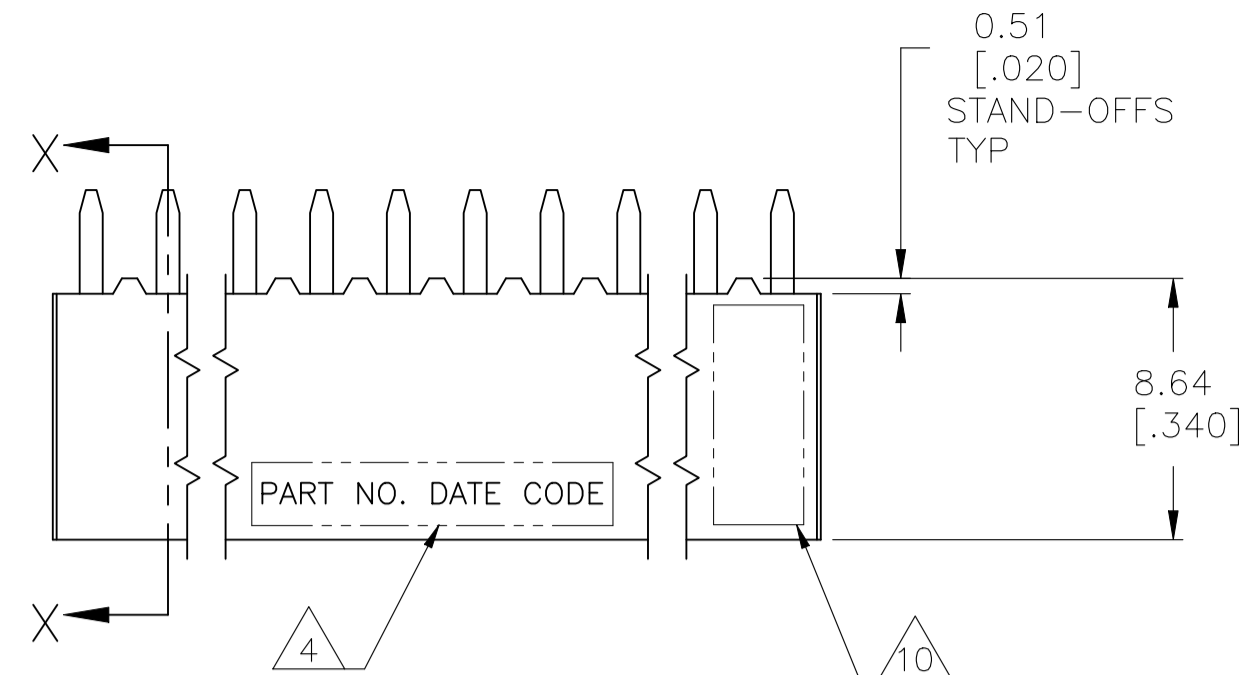


REVISIONS				
P	LTR	DESCRIPTION	DATE	DRN APVD
S		RESIN SUPPLIER CHANGE FOR THE HOUSING	03DEC2021	SCB KJK



6	9	OBSOLETE	2.54 [.100]	5.08 [.200]	2	12	8-534237-9
			99.06 [3.900]	101.60 [4.000]	40	12	8-534237-8
			96.52 [3.800]	99.06 [3.900]	39	12	8-534237-7
			93.98 [3.700]	96.52 [3.800]	38	12	8-534237-6
			91.44 [3.600]	93.98 [3.700]	37	12	8-534237-5
			88.90 [3.500]	91.44 [3.600]	36	12	8-534237-4
			86.36 [3.400]	88.90 [3.500]	35	12	8-534237-3
			83.82 [3.300]	86.36 [3.400]	34	12	8-534237-2
			81.28 [3.200]	83.82 [3.300]	33	12	8-534237-1
			78.74 [3.100]	81.28 [3.200]	32	12	8-534237-0
			76.20 [3.000]	78.74 [3.100]	31	12	7-534237-9
			73.66 [2.900]	76.20 [3.000]	30	12	7-534237-8
			71.12 [2.800]	73.66 [2.900]	29	12	7-534237-7
			68.58 [2.700]	71.12 [2.800]	28	12	7-534237-6
			66.04 [2.600]	68.58 [2.700]	27	12	7-534237-5
			63.50 [2.500]	66.04 [2.600]	26	12	7-534237-4
			60.96 [2.400]	63.50 [2.500]	25	12	7-534237-3
			58.42 [2.300]	60.96 [2.400]	24	12	7-534237-2
			55.88 [2.200]	58.42 [2.300]	23	12	7-534237-1
			53.34 [2.100]	55.88 [2.200]	22	12	7-534237-0
			50.80 [2.000]	53.34 [2.100]	21	12	6-534237-9
			48.26 [1.900]	50.80 [2.000]	20	12	6-534237-8
			45.72 [1.800]	48.26 [1.900]	19	12	6-534237-7
			43.18 [1.700]	45.72 [1.800]	18	12	6-534237-6
			40.64 [1.600]	43.18 [1.700]	17	12	6-534237-5
			38.10 [1.500]	40.64 [1.600]	16	12	6-534237-4
			35.56 [1.400]	38.10 [1.500]	15	12	6-534237-3
			33.02 [1.300]	35.56 [1.400]	14	12	6-534237-2
			30.48 [1.200]	33.02 [1.300]	13	12	6-534237-1
			27.94 [1.100]	30.48 [1.200]	12	12	6-534237-0
			25.40 [1.000]	27.94 [1.100]	11	12	5-534237-9
			22.86 [.900]	25.40 [1.000]	10	12	5-534237-8
			20.32 [.800]	22.86 [.900]	9	12	5-534237-7
			17.78 [.700]	20.32 [.800]	8	12	5-534237-6
			15.24 [.600]	17.78 [.700]	7	12	5-534237-5
			12.70 [.500]	15.24 [.600]	6	12	5-534237-4
			10.16 [.400]	12.70 [.500]	5	12	5-534237-3
			7.62 [.300]	10.16 [.400]	4	12	5-534237-2
			5.08 [.200]	7.62 [.300]	3	12	5-534237-1
			B	A	NO OF POSN	PART NUMBER	

9	OBSOLETE	2.54 [.100]	5.08 [.200]	2	3	534237-9
		99.06 [3.900]	101.60 [4.000]	40	3	3-534237-8
		96.52 [3.800]	99.06 [3.900]	39	3	3-534237-7
		93.98 [3.700]	96.52 [3.800]	38	3	3-534237-6
		91.44 [3.600]	93.98 [3.700]	37	3	3-534237-5
		88.90 [3.500]	91.44 [3.600]	36	3	3-534237-4
		86.36 [3.400]	88.90 [3.500]	35	3	3-534237-3
		83.82 [3.300]	86.36 [3.400]	34	3	3-534237-2
		81.28 [3.200]	83.82 [3.300]	33	3	3-534237-1
		78.74 [3.100]	81.28 [3.200]	32	3	3-534237-0
		76.20 [3.000]	78.74 [3.100]	31	3	2-534237-9
		73.66 [2.900]	76.20 [3.000]	30	3	2-534237-8
		71.12 [2.800]	73.66 [2.900]	29	3	2-534237-7
		68.58 [2.700]	71.12 [2.800]	28	3	2-534237-6
		66.04 [2.600]	68.58 [2.700]	27	3	2-534237-5
		63.50 [2.500]	66.04 [2.600]	26	3	2-534237-4
		60.96 [2.400]	63.50 [2.500]	25	3	2-534237-3
		58.42 [2.300]	60.96 [2.400]	24	3	2-534237-2
		55.88 [2.200]	58.42 [2.300]	23	3	2-534237-1
		53.34 [2.100]	55.88 [2.200]	22	3	2-534237-0
		50.80 [2.000]	53.34 [2.100]	21	3	1-534237-9
		48.26 [1.900]	50.80 [2.000]	20	3	1-534237-8
		45.72 [1.800]	48.26 [1.900]	19	3	1-534237-7
		43.18 [1.700]	45.72 [1.800]	18	3	1-534237-6
		40.64 [1.600]	43.18 [1.700]	17	3	1-534237-5
		38.10 [1.500]	40.64 [1.600]	16	3	1-534237-4
		35.56 [1.400]	38.10 [1.500]	15	3	1-534237-3
		33.02 [1.300]	35.56 [1.400]	14	3	1-534237-2
		30.48 [1.200]	33.02 [1.300]	13	3	1-534237-1
		27.94 [1.100]	30.48 [1.200]	12	3	1-534237-0
		25.40 [1.000]	27.94 [1.100]	11	3	534237-9
		22.86 [.900]	25.40 [1.000]	10	3	534237-8
		20.32 [.800]	22.86 [.900]	9	3	534237-7
		17.78 [.700]	20.32 [.800]	8	3	534237-6
		15.24 [.600]	17.78 [.700]	7	3	534237-5
		12.70 [.500]	15.24 [.600]	6	3	534237-4
		10.16 [.400]	12.70 [.500]	5	3	534237-3
		7.62 [.300]	10.16 [.400]	4	3	534237-2
		5.08 [.200]	7.62 [.300]	3	3	534237-1
			B	A	NO OF POSN	PART NUMBER

- 1 HOUSING: FLAME RETARDANT, GLASS FILLED, POLYESTER, COLOR: BLACK. CONTACT: PHOSPHOR BRONZE
- 2 CONTACT: DUPLEX PLATED 0.76µm[.000030] GOLD IN CONTACT AREA, 3.81-7.62µm[.000150-.000300] BRIGHT TIN-LEAD ON LEADS ALL OVER 1.27µm[.000050] MIN NICKEL
- 3 THESE DIMENSIONS PERTAIN TO CAVITY CENTERLINES ONLY - NOT TO CONTACT LOCATIONS
- 4 PART NUMBER AND DATE CODE MARKED IN APPROXIMATE LOCATION SHOWN, EITHER SIDE.
- 5 TOLERANCE IS NON-CUMULATIVE.
- 6 2 POSITION DATE CODE IS MARKED OPPOSITE SIDE OF TE CONNECTIVITY LOGO.
- 7 POINT-OF-MEASUREMENT DIMENSION FOR PLATING THICKNESS (INSIDE CONTACT BEAM).
- 8 POINT-OF-CONTACT DIMENSION.
- 9 NO PART NUMBER MARKING REQUIRED FOR THIS PART.
- 10 TE CONNECTIVITY LOGO AND CSA LOGO ARE MOLDED INTO HOUSING, THIS LOCATION.
- 11 CONTACT: DUPLEX PLATED 0.76µm[.000030] GOLD IN CONTACT AREA, 3.81-7.62µm[.000150-.000300] MATTE TIN ON LEADS ALL OVER 1.27µm[.000050] MIN NICKEL
- 12 ROHS 2002/95/EC COMPLIANT

THIS DRAWING IS A CONTROLLED DOCUMENT.

DIMENSIONS: mm [NCHES]

TOLERANCES UNLESS OTHERWISE SPECIFIED:

0. PLC	±	-
1. PLC	±	-
2. PLC	±	0.25[.010]
3. PLC	±	0.13[.005]
4. PLC	±	-
ANGLES	±	-

MATERIAL: 1

FINISH: SEE TABLE

THIS DRAWING IS A CONTROLLED DOCUMENT.

DIN M. BINNER OSNOV02
CHK J. JOLSON OSNOV02
APVD J. JOLSON OSNOV02

NAME: RECP.T ASSY, MOD IV, SINGLE ROW, .100CL, VERTICAL BOARD MOUNT, CLOSED, TOP ENTRY, SHORT PNT. OF CONTACT

PRODUCT SPEC: 108-25022
APPLICATION SPEC: 114-25018

SIZE: A1
CAGE CODE: 00779
DRAWING NO: 534237
WEIGHT: -

CUSTOMER DRAWING

SCALE: 4:1
SHEET: 1 of 1
REV: S

X-ON Electronics

Largest Supplier of Electrical and Electronic Components

Click to view similar products for [Headers & Wire Housings](#) category:

Click to view products by [TE Connectivity](#) manufacturer:

Other Similar products are found below :

[892-18-020-10-001101](#) [58102-G61-06LF](#) [582553-1](#) [0009485154](#) [009176003701906](#) [0050291907](#) [LY20-4P-DT1-P1E-BR](#) [02.125.8002.8](#)
[609-3404](#) [61062-3](#) [61082-181009](#) [622-3653LF](#) [63453-116](#) [636-1030](#) [636-1427](#) [636-3427](#) [636-4007](#) [641938-9](#) [641991-4](#) [644827-2](#) [65817-](#)
[010LF](#) [65817-015LF](#) [65863-015LF](#) [66207-023LF](#) [67095-007LF](#) [67601157](#) [68645-018](#) [68648-049](#) [70.362.1628.0](#) [70-4210](#) [70-4226B](#) [70-](#)
[4853B](#) [707-5020](#) [707-5028](#) [71.350.2428.0](#) [71918-208LF](#) [71961-016LF](#) [733-134](#) [733-162](#) [754199-000](#) [760-3052](#) [787-8014-00](#) [79531-3000](#)
[FCN-360C032-B](#) [FCN-367T-T012/H](#) [FCN-723D010/2](#) [80.063.4001.1](#) [800-90-001-10-001000](#) [800-90-010-10-002000](#) [801-43-002-10-013000](#)