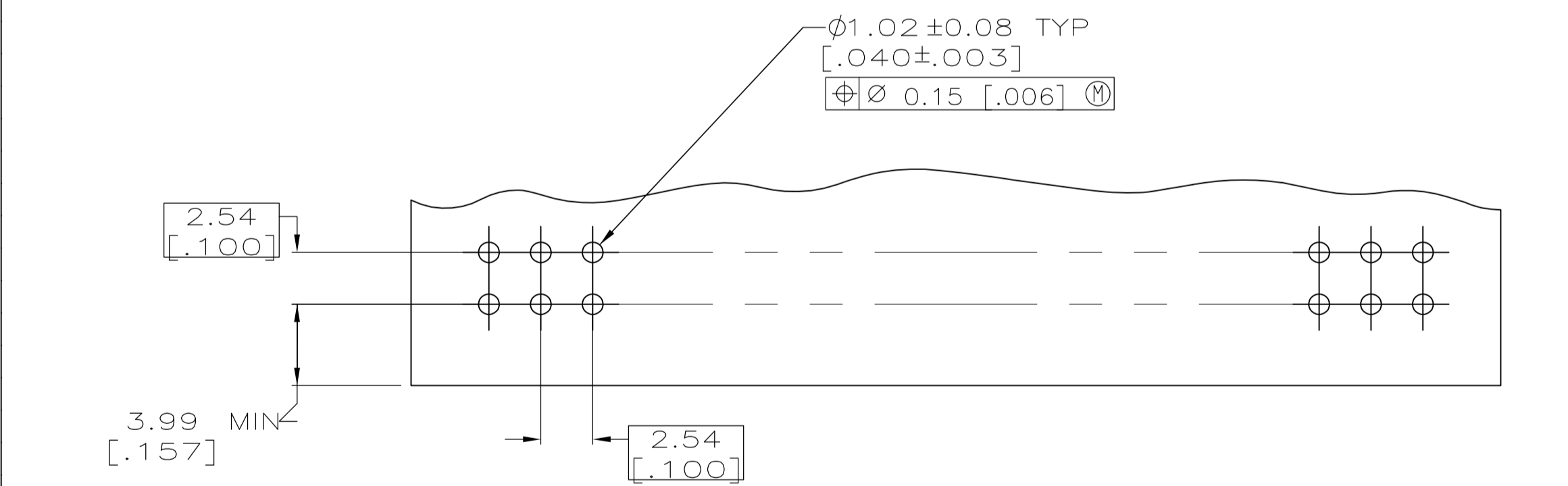
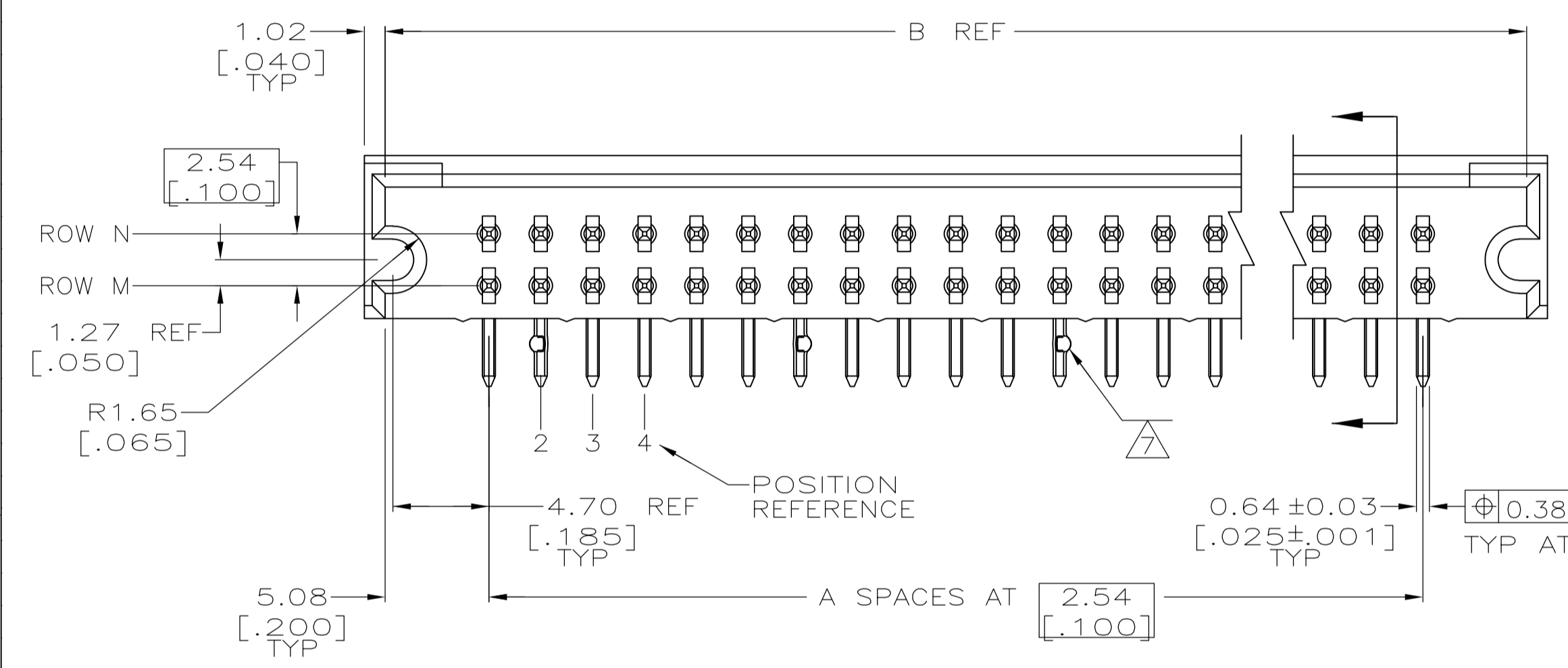
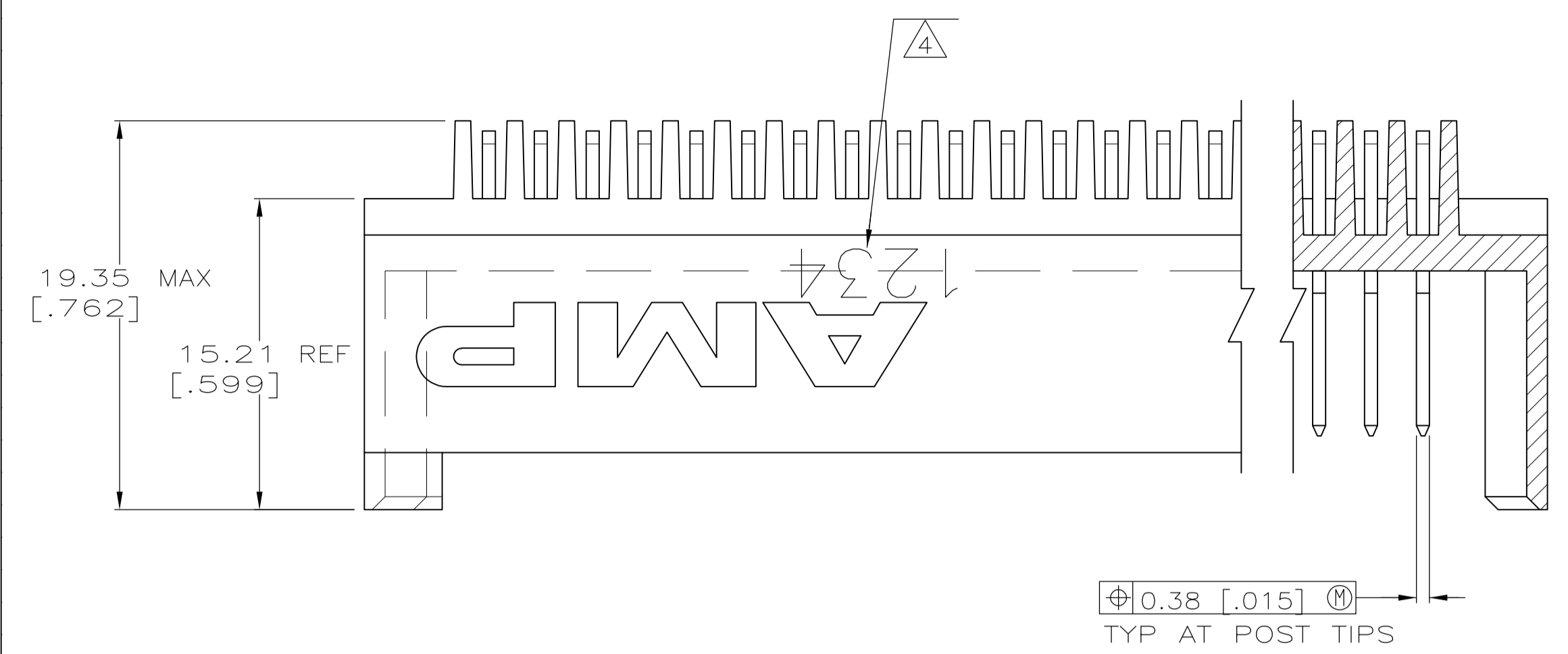
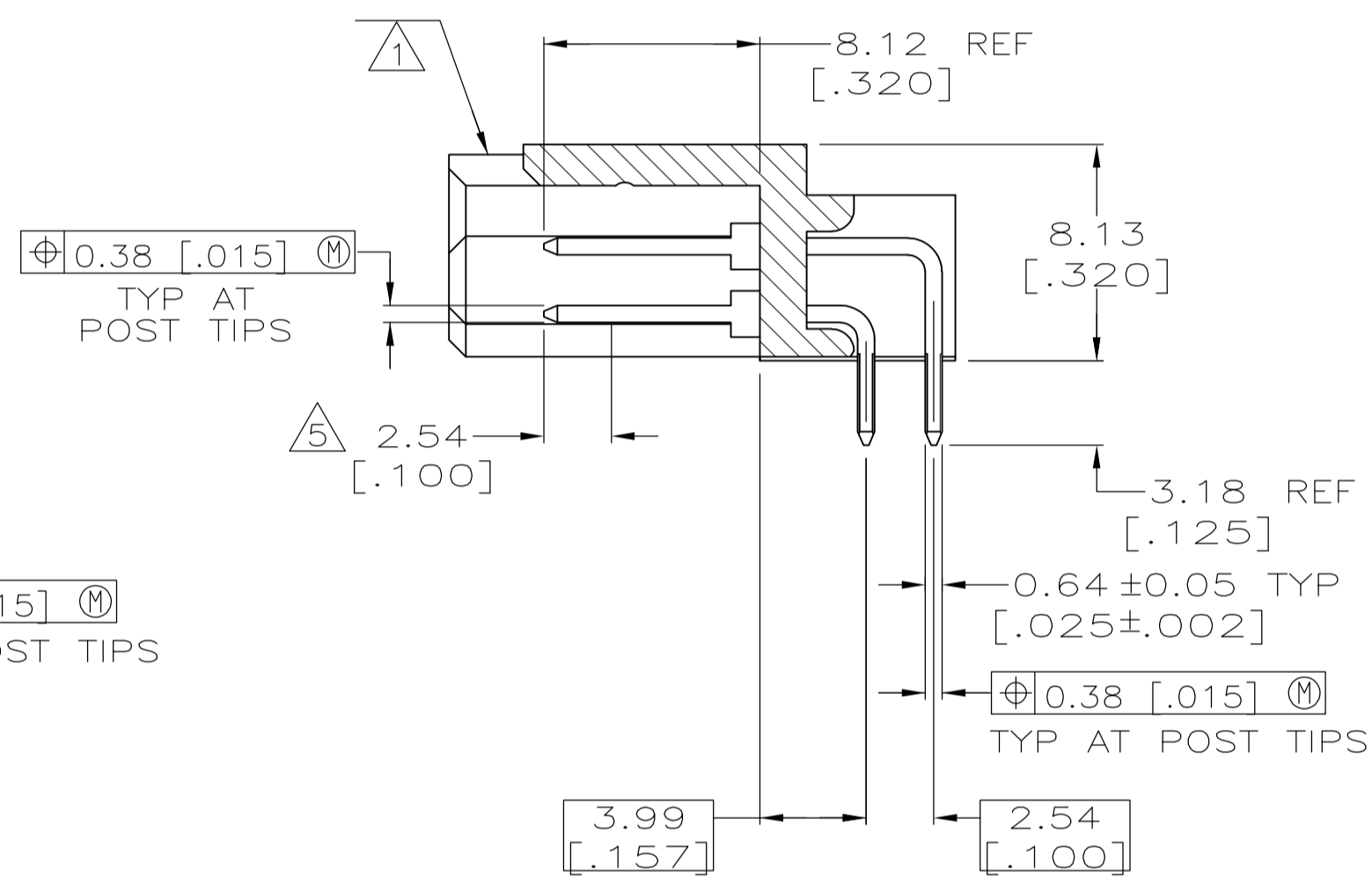


LOC		DIST		REVISIONS			
AD	39	P	LTR	DESCRIPTION	DATE	DMN	APVD
		J1		ECO-05-7481	14FEB06	MB	JO
		J2		REVISED PER ECO-10-000443	12JAN09	KK	AEG



RECOMMENDED P.C. BOARD HOLE LAYOUT



- ① HOUSING: FLAME RETARDANT THERMOPLASTIC; COLOR: BLACK.
- ② POST: PHOSPHOR BRONZE
- ③ POST FINISH: 0.00076 [.000030] GOLD ON CONTACT AREA, 0.00254 [.000100] MIN BRIGHT TIN-LEAD ON SOLDER LEADS, ALL OVER 0.00127 [.000050] NICKEL.
- ④ RECESSED DATE CODE.
- ⑤ POINT OF MEASUREMENT FOR GOLD PLATING THICKNESS.
- 6. CSA LOGO RECESS STAMPED ON HOUSING.
- ⑦ BOARD RETENTION FEATURE WHERE INDICATED.
- ⑧ POST FINISH: 0.00076 [.000030] GOLD ON CONTACT AREA, 0.00254 [.000100] MIN MATTE TIN ON SOLDER LEADS, ALL OVER 0.00127 [.000050] NICKEL.
- ⑨ ROHS 2002/95/EC COMPLIANT
- ⑩ OBSOLETE PARTS: OBSOLETE CIS STREAMLINING PER D.RENAUD/D.SINISI

OBSOLETE	⑧	2, 22, 43, 64	2, 22, 43, 64	172.72 [6.800]	64	130	⑨ 6-534245-3
		2, 18, 37, 54	2, 18, 37, 54	147.32 [5.800]	54	110	⑨ 6-534245-2
		2, 17, 33, 49	2, 17, 33, 49	134.62 [5.300]	49	100	⑨ 6-534245-1
		2, 20, 39	2, 20, 39	109.22 [4.300]	39	80	⑨ 6-534245-0
		2, 18, 34	2, 18, 34	96.52 [3.800]	34	70	⑨ 5-534245-9
		4, 9, 14	4, 9, 14	53.34 [2.100]	17	36	⑨ 5-534245-8
		5, 6, 7	5, 6, 7	38.10 [1.500]	11	24	⑨ 5-534245-7
		4, 5, 6	4, 5, 6	33.02 [1.300]	9	20	⑨ 5-534245-6
		2, 3, 4	2, 3, 4	22.86 [.900]	5	12	⑨ 5-534245-5
		3, 4, 5	3, 4, 5	27.94 [1.100]	7	16	⑨ 5-534245-4
OBSOLETE	⑩	2, 20, 40, 59	2, 20, 40, 59	160.02 [6.300]	59	120	⑨ 5-534245-3
		3, 8, 13	3, 8, 13	45.72 [1.800]	14	30	⑨ 5-534245-2
		8, 13, 18	8, 13, 18	71.12 [2.800]	24	50	⑨ 5-534245-1
		2, 22, 43, 64	2, 22, 43, 64	172.72 [6.800]	64	130	⑩ 5-534245-3
		2, 18, 37, 54	2, 18, 37, 54	147.32 [5.800]	54	110	⑩ 5-534245-2
		2, 17, 33, 49	2, 17, 33, 49	134.62 [5.300]	49	100	⑩ 5-534245-1
		2, 20, 39	2, 20, 39	109.22 [4.300]	39	80	⑩ 5-534245-0
		2, 18, 34	2, 18, 34	96.52 [3.800]	34	70	⑩ 534245-9
		4, 9, 14	4, 9, 14	53.34 [2.100]	17	36	⑩ 534245-8
		5, 6, 7	5, 6, 7	38.10 [1.500]	11	24	⑩ 534245-7
OBSOLETE	③	4, 5, 6	4, 5, 6	33.02 [1.300]	9	20	⑩ 534245-6
		2, 3, 4	2, 3, 4	22.86 [.900]	5	12	⑩ 534245-5
		3, 4, 5	3, 4, 5	27.94 [1.100]	7	16	⑩ 534245-4
		2, 20, 40, 59	2, 20, 40, 59	160.02 [6.300]	59	120	⑩ 534245-3
		3, 8, 13	3, 8, 13	45.72 [1.800]	14	30	⑩ 534245-2
		8, 13, 18	8, 13, 18	71.12 [2.800]	24	50	⑩ 534245-1
		2, 22, 43, 64	2, 22, 43, 64	172.72 [6.800]	64	130	⑩ 534245-3
		2, 18, 37, 54	2, 18, 37, 54	147.32 [5.800]	54	110	⑩ 534245-2
		2, 17, 33, 49	2, 17, 33, 49	134.62 [5.300]	49	100	⑩ 534245-1
		2, 20, 39	2, 20, 39	109.22 [4.300]	39	80	⑩ 534245-0
FINISH		ROW M	ROW N	B	A	NO OF POSN	PART NUMBER
		BOARD RETENTION LOCATION					

⑩ SUPERSEDED BY 5-534245-8
 ⑩ OBSOLETE
 ⑩ OBSOLETE
 ⑩ OBSOLETE

THIS DRAWING IS A CONTROLLED DOCUMENT. TOLERANCES UNLESS OTHERWISE SPECIFIED: DIMENSIONS INCHES

0 PLC ± -	1 PLC ± -	2 PLC ± 0.13 [005]	3 PLC ± -	4 PLC ± -
ANGLES ± -	SEE TABLE			

THIS DRAWING IS A CONTROLLED DOCUMENT. DWN: K.L.CLOUSER/UTA 2/15/91. CHK: DOUG SARVER 3/3/91. Tyco Electronics Corporation, Harrisburg, PA 17105-3608. NAME: HEADER ASSY, MOD II, DOUBLE ROW, 2.54 X 2.54 [.100 X .100] 0.64 [.025] SQ POST, RIGHT ANGLE, W/ GUIDE PINS & RETENTION FEATURE. SIZE: A1. CAGE CODE: 00779. DRAWING NO: 534245. WEIGHT: -. RESTRICTED TO: CUSTOMER DRAWING. SCALE: 4:1. SHEET: 1 OF 1. REV: J2.

X-ON Electronics

Largest Supplier of Electrical and Electronic Components

Click to view similar products for [Headers & Wire Housings](#) category:

Click to view products by [TE Connectivity](#) manufacturer:

Other Similar products are found below :

[892-18-020-10-001101](#) [58102-G61-06LF](#) [582553-1](#) [0009485154](#) [009176003701906](#) [0050291907](#) [LY20-4P-DT1-P1E-BR](#) [02.125.8002.8](#)
[609-3404](#) [61062-3](#) [61082-181009](#) [622-3653LF](#) [63453-116](#) [636-1030](#) [636-1427](#) [636-3427](#) [636-4007](#) [641938-9](#) [641991-4](#) [644827-2](#) [65817-010LF](#) [65817-015LF](#) [65863-015LF](#) [66207-023LF](#) [67095-007LF](#) [67601157](#) [68645-018](#) [68648-049](#) [70.362.1628.0](#) [70-4210](#) [70-4226B](#) [70-4853B](#) [707-5020](#) [707-5028](#) [71.350.2428.0](#) [71918-208LF](#) [71961-016LF](#) [733-134](#) [733-162](#) [754199-000](#) [760-3052](#) [787-8014-00](#) [79531-3000](#)
[FCN-360C032-B](#) [FCN-367T-T012/H](#) [FCN-723D010/2](#) [80.063.4001.1](#) [800-90-001-10-001000](#) [800-90-010-10-002000](#) [801-43-002-10-013000](#)