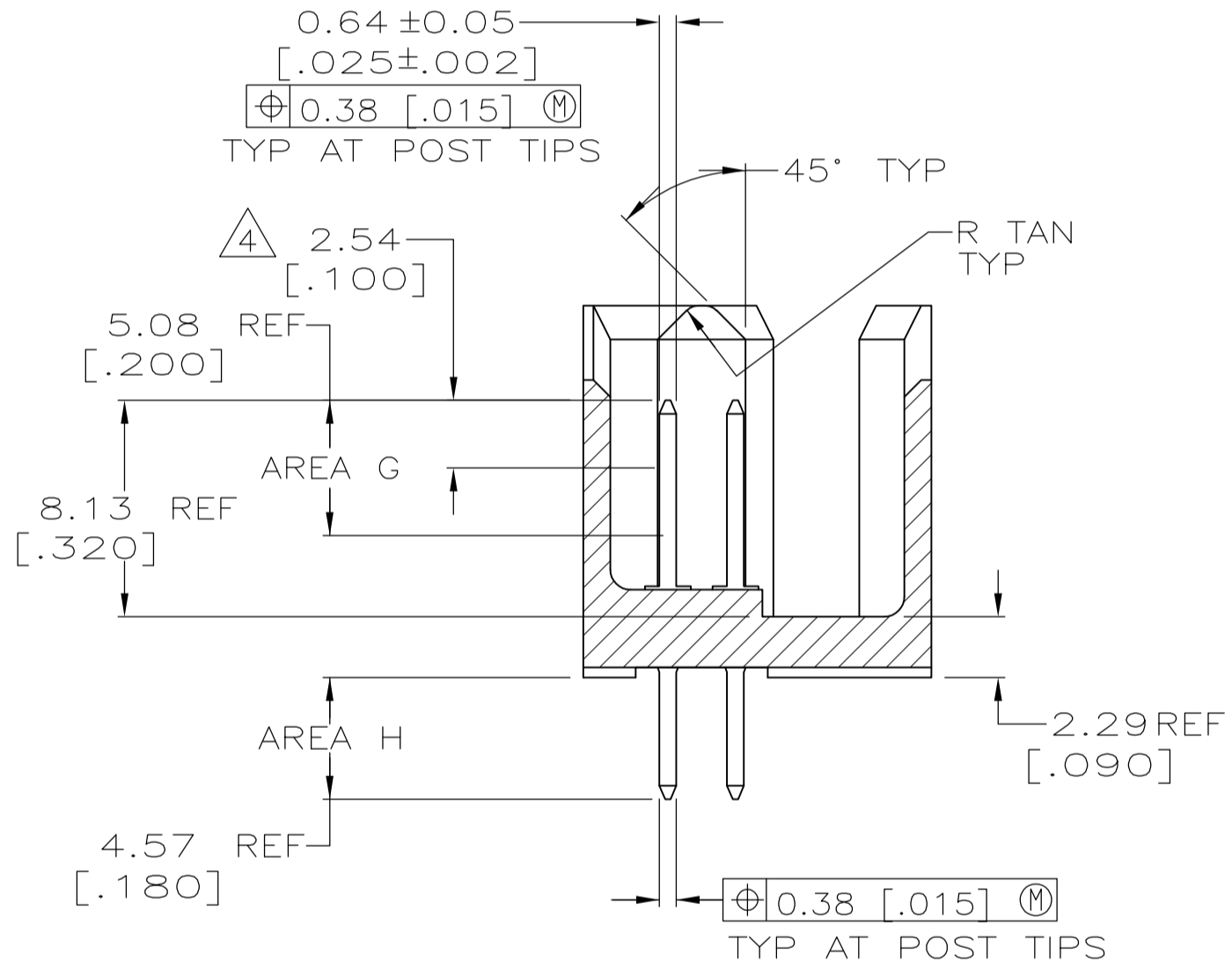
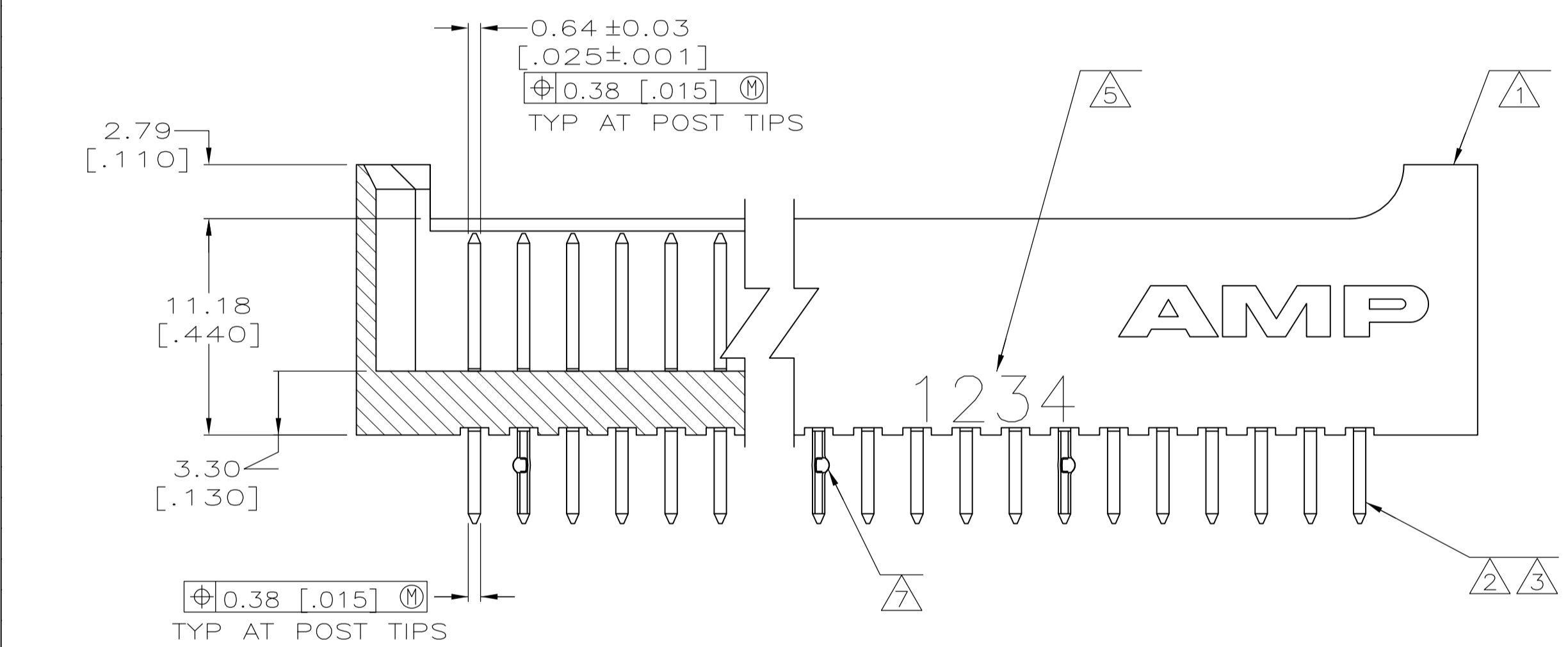
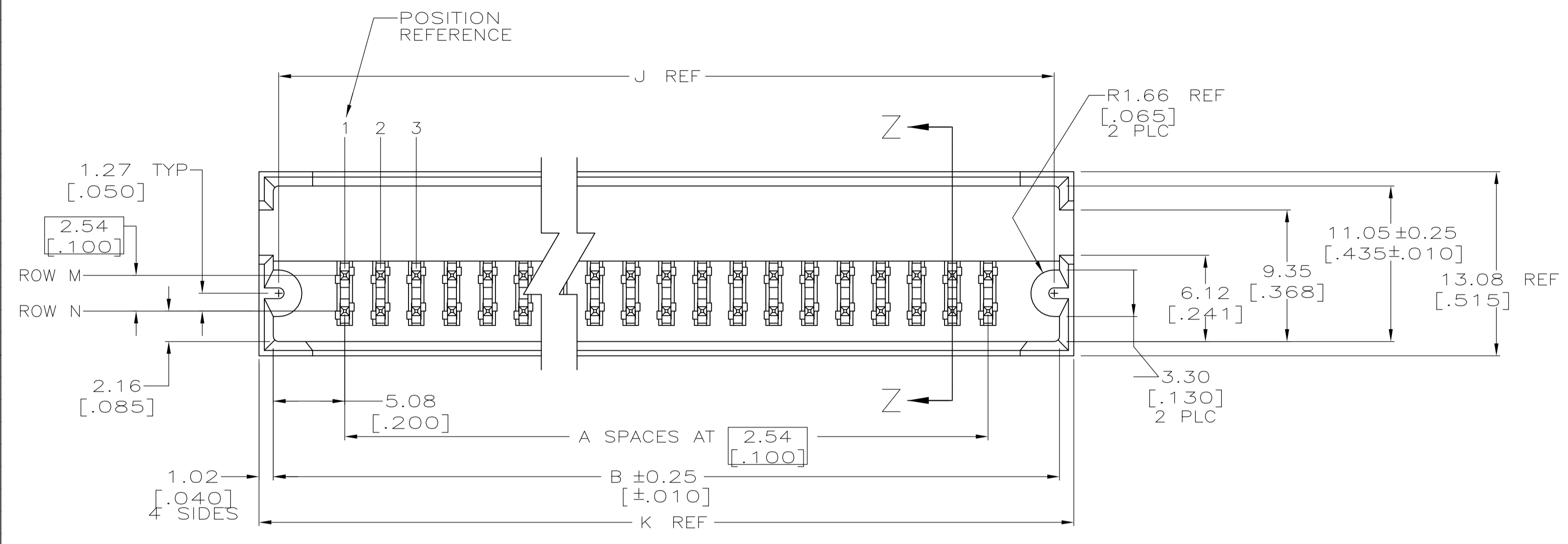
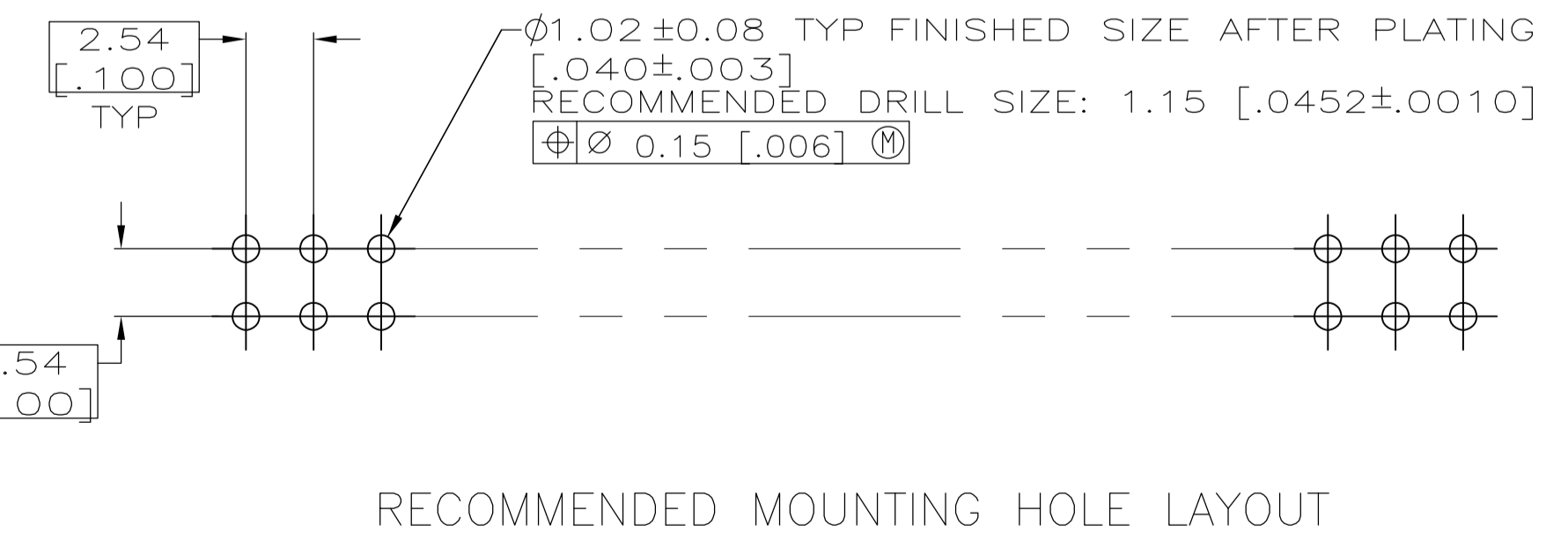


| LOC |                           | DIST |             | REVISIONS |    |      |  |
|-----|---------------------------|------|-------------|-----------|----|------|--|
| AD  | 39                        | REV  | DESCRIPTION | DATE      | BY | APPV |  |
| N2  | ECO-07-016583             |      |             | 11DEC07   | MB | JO   |  |
| N3  | REVISED PER ECO-10-000443 |      |             | 12JAN10   | KK | AEG  |  |



SECTION Z-Z  
ROTATED 90° CW



RECOMMENDED MOUNTING HOLE LAYOUT

- 1 HOUSING: FLAME RETARDANT THERMOPLASTIC; COLOR: BLACK.
- 2 POST: COPPER ALLOY.
- 3 POST FINISH: 0.00038 [0.00015] GOLD IN AREA G, 0.00254-0.00508 [0.00100-0.00200] BRIGHT TIN-LEAD IN AREA H, ALL OVER 0.00127 [0.00050] NICKEL.
- 4 POINT OF MEASUREMENT FOR PLATING THICKNESS.
- 5 RECESSED DATE CODE.
- 6 CSA LOGO RECESS STAMPED ON HOUSING.
- 7 BOARD RETENTION FEATURE WHERE INDICATED.
- 8 POST FINISH: 0.00038 [0.00015] GOLD IN AREA G, 0.00254-0.00508 [0.00100-0.00200] MATTE TIN IN AREA H, ALL OVER 0.00127 [0.00050] NICKEL.
- 9 ROHS 2002/95/EC COMPLIANT
- 10 OBSOLETE PARTS: OBSOLETE CIS STREAMLINING PER D.RENAUD/D.SINISI

| REV | DESCRIPTION | DATE            | BY              | APPV   | REV    | DESCRIPTION | DATE | BY  | APPV |            |
|-----|-------------|-----------------|-----------------|--------|--------|-------------|------|-----|------|------------|
| 10  | OBSOLETE    | 2,23,67,99      | 2,23,67,99      | 263.65 | 260.86 | 261.62      | 99   | 200 | 9    | 6-534257-9 |
| 10  | OBSOLETE    | 1,2,5,6         | 1,2,5,6         | 10.380 | 10.270 | 10.300      | 5    | 12  | 9    | 6-534257-8 |
| 10  | OBSOLETE    | 1,2,6,7,11,12   | 1,2,6,7,11,12   | 40.13  | 37.34  | 38.10       | 11   | 24  | 9    | 6-534257-7 |
| 10  | OBSOLETE    | 1,2,12,13,24,25 | 1,2,12,13,24,25 | 1.580  | 1.470  | 1.500       | 24   | 50  | 9    | 6-534257-6 |
| 10  | OBSOLETE    | 8, 13, 18       | 8, 13, 18       | 2.880  | 2.770  | 2.800       | 24   | 50  | 9    | 6-534257-5 |
| 10  | OBSOLETE    | 3, 4, 5         | 3, 4, 5         | 2.880  | 2.770  | 2.800       | 7    | 16  | 9    | 6-534257-4 |
| 10  | OBSOLETE    | 2, 24, 47       | 2, 24, 47       | 131.57 | 128.78 | 129.54      | 47   | 96  | 9    | 6-534257-3 |
| 10  | OBSOLETE    | 2, 18, 34       | 2, 18, 34       | 98.55  | 95.76  | 96.52       | 34   | 70  | 9    | 6-534257-2 |
| 10  | OBSOLETE    | 2, 15, 29       | 2, 15, 29       | 85.85  | 83.06  | 83.82       | 29   | 60  | 9    | 6-534257-1 |
| 10  | OBSOLETE    | 5, 10, 15       | 5, 10, 15       | 60.45  | 57.66  | 58.42       | 19   | 40  | 9    | 6-534257-0 |
| 10  | OBSOLETE    | 4, 9, 14        | 4, 9, 14        | 55.37  | 52.58  | 53.34       | 17   | 36  | 9    | 6-534257-9 |
| 10  | OBSOLETE    | 3, 8, 13        | 3, 8, 13        | 47.75  | 44.96  | 45.72       | 14   | 30  | 9    | 6-534257-8 |
| 10  | OBSOLETE    | 5, 6, 7         | 5, 6, 7         | 40.13  | 37.34  | 38.10       | 11   | 24  | 9    | 6-534257-7 |
| 10  | OBSOLETE    | 4, 5, 6         | 4, 5, 6         | 35.05  | 32.26  | 33.02       | 9    | 20  | 9    | 6-534257-6 |
| 10  | OBSOLETE    | 2, 3, 4         | 2, 3, 4         | 24.89  | 22.10  | 22.86       | 5    | 12  | 9    | 6-534257-5 |
| 10  | OBSOLETE    | 2, 27, 53, 79   | 2, 27, 53, 79   | 212.85 | 210.06 | 210.82      | 79   | 160 | 9    | 6-534257-4 |
| 10  | OBSOLETE    | 2, 20, 40, 59   | 2, 20, 40, 59   | 162.05 | 159.26 | 160.02      | 59   | 120 | 9    | 6-534257-3 |
| 10  | OBSOLETE    | 2, 17, 33, 49   | 2, 17, 33, 49   | 136.65 | 133.86 | 134.62      | 49   | 100 | 9    | 6-534257-2 |
| 10  | OBSOLETE    | 2, 20, 39       | 2, 20, 39       | 111.25 | 108.46 | 109.22      | 39   | 80  | 9    | 6-534257-1 |
| 10  | OBSOLETE    | 2,23,67,99      | 2,23,67,99      | 10.380 | 10.270 | 10.300      | 99   | 200 | 1    | 534257-9   |
| 10  | OBSOLETE    | 1,2,5,6         | 1,2,5,6         | 9.801  | 9.701  | 9.901       | 5    | 12  | 1    | 534257-8   |
| 10  | OBSOLETE    | 1,2,6,7,11,12   | 1,2,6,7,11,12   | 40.13  | 37.34  | 38.10       | 11   | 24  | 1    | 534257-7   |
| 10  | OBSOLETE    | 1,2,12,13,24,25 | 1,2,12,13,24,25 | 1.580  | 1.470  | 1.500       | 24   | 50  | 1    | 534257-6   |
| 10  | OBSOLETE    | 8, 13, 18       | 8, 13, 18       | 2.880  | 2.770  | 2.800       | 24   | 50  | 1    | 534257-5   |
| 10  | OBSOLETE    | 3, 4, 5         | 3, 4, 5         | 2.880  | 2.770  | 2.800       | 7    | 16  | 1    | 534257-4   |
| 10  | OBSOLETE    | 2, 24, 47       | 2, 24, 47       | 131.57 | 128.78 | 129.54      | 47   | 96  | 1    | 534257-3   |
| 10  | OBSOLETE    | 2, 18, 34       | 2, 18, 34       | 98.55  | 95.76  | 96.52       | 34   | 70  | 1    | 534257-2   |
| 10  | OBSOLETE    | 2, 15, 29       | 2, 15, 29       | 85.85  | 83.06  | 83.82       | 29   | 60  | 1    | 534257-1   |
| 10  | OBSOLETE    | 5, 10, 15       | 5, 10, 15       | 60.45  | 57.66  | 58.42       | 19   | 40  | 1    | 534257-0   |
| 10  | OBSOLETE    | 4, 9, 14        | 4, 9, 14        | 55.37  | 52.58  | 53.34       | 17   | 36  | 1    | 534257-9   |
| 10  | OBSOLETE    | 3, 8, 13        | 3, 8, 13        | 47.75  | 44.96  | 45.72       | 14   | 30  | 1    | 534257-8   |
| 10  | OBSOLETE    | 5, 6, 7         | 5, 6, 7         | 40.13  | 37.34  | 38.10       | 11   | 24  | 1    | 534257-7   |
| 10  | OBSOLETE    | 4, 5, 6         | 4, 5, 6         | 35.05  | 32.26  | 33.02       | 9    | 20  | 1    | 534257-6   |
| 10  | OBSOLETE    | 2, 3, 4         | 2, 3, 4         | 24.89  | 22.10  | 22.86       | 5    | 12  | 1    | 534257-5   |
| 10  | OBSOLETE    | 2, 27, 53, 79   | 2, 27, 53, 79   | 212.85 | 210.06 | 210.82      | 79   | 160 | 1    | 534257-4   |
| 10  | OBSOLETE    | 2, 20, 40, 59   | 2, 20, 40, 59   | 162.05 | 159.26 | 160.02      | 59   | 120 | 1    | 534257-3   |
| 10  | OBSOLETE    | 2, 17, 33, 49   | 2, 17, 33, 49   | 136.65 | 133.86 | 134.62      | 49   | 100 | 1    | 534257-2   |
| 10  | OBSOLETE    | 2, 20, 39       | 2, 20, 39       | 111.25 | 108.46 | 109.22      | 39   | 80  | 1    | 534257-1   |

|  |  |  |  |   |  |
|--|--|--|--|---|--|
| THIS DRAWING IS A CONTROLLED DOCUMENT. |  | DIN K.L.CLOUSER/UTA 4/8/91             |  | Tyco Electronics Corporation  |  |
| DIMENSIONS: INCHES                     |  | TOLERANCES UNLESS OTHERWISE SPECIFIED: |  | Harrisburg, PA 17105-3608   |  |
| 0 PLC ± -                              |  | 1 PLC ± 0.13 [0.005]                   |  | NAME: K. SARVER   |  |
| 2 PLC ± -                              |  | 3 PLC ± -                              |  | APPROVED: [Signature]   |  |
| 4 PLC ± -                              |  | ANGLES ± -                             |  | PRODUCT SPEC: HEADER ASSY, MOD II, DOUBLE ROW, 2.54 X 2.54 [.100 X .100] 0.64 [.025] SQUARE POST, BOARD RETENTION FEATURE |  |
| MATERIAL: [Symbol]                     |  | FINISH: SEE TABLE                      |  | SIZE: A1  |  |
| WEIGHT: -                              |  | CUSTOMER DRAWING                       |  | SCALE: 4:1  |  |
| DRAWING NO: 00779                      |  | DRAWING NO: 534257                     |  | SHEET 1 OF 1  |  |
| REV: N3                                |  | REV: N3                                |  | REV: N3   |  |

## X-ON Electronics

Largest Supplier of Electrical and Electronic Components

*Click to view similar products for [Headers & Wire Housings](#) category:*

*Click to view products by [TE Connectivity](#) manufacturer:*

Other Similar products are found below :

[95000-104TRLF](#) [10135584-644402LF](#) [DF62W-EP2022PCA](#) [95000-106TRLF](#) [DF62W-2022SCA](#) [DF62W-EP2022PC](#) [2203348](#) [DF62W-2022SC](#) [1084018](#) [1029039](#) [1084017](#) [802-10-012-10-002000](#) [1112640](#) [1112639](#) [000-34000](#) [0009482033](#) [0009507031](#) [57102-S06-03LF](#) [57202-S52-04LF](#) [PCN6-15S-2.5E](#) [0039019024](#) [58102-G61-06LF](#) [582553-1](#) [0009508121](#) [0050291907](#) [018731A](#) [LY20-4P-DT1-P1E-BR](#) [02.125.8002.8](#) [60101931](#) [60598-1 \(Cut Strip\)](#) [M1625-3R/100](#) [61062-3](#) [61082-181009](#) [636-1427](#) [638009-1](#) [641938-9](#) [641991-4](#) [644168-1](#) [647662-1](#) [65039-019ELF](#) [65817-002LF](#) [65817-015LF](#) [65863-015LF](#) [66207-023LF](#) [67016-026LF](#) [67046-001LF](#) [67095-007LF](#) [68002-116](#) [68016-236H](#) [68648-049](#)