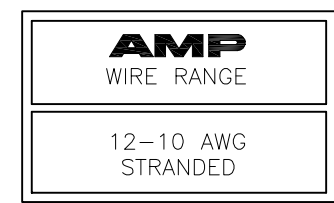
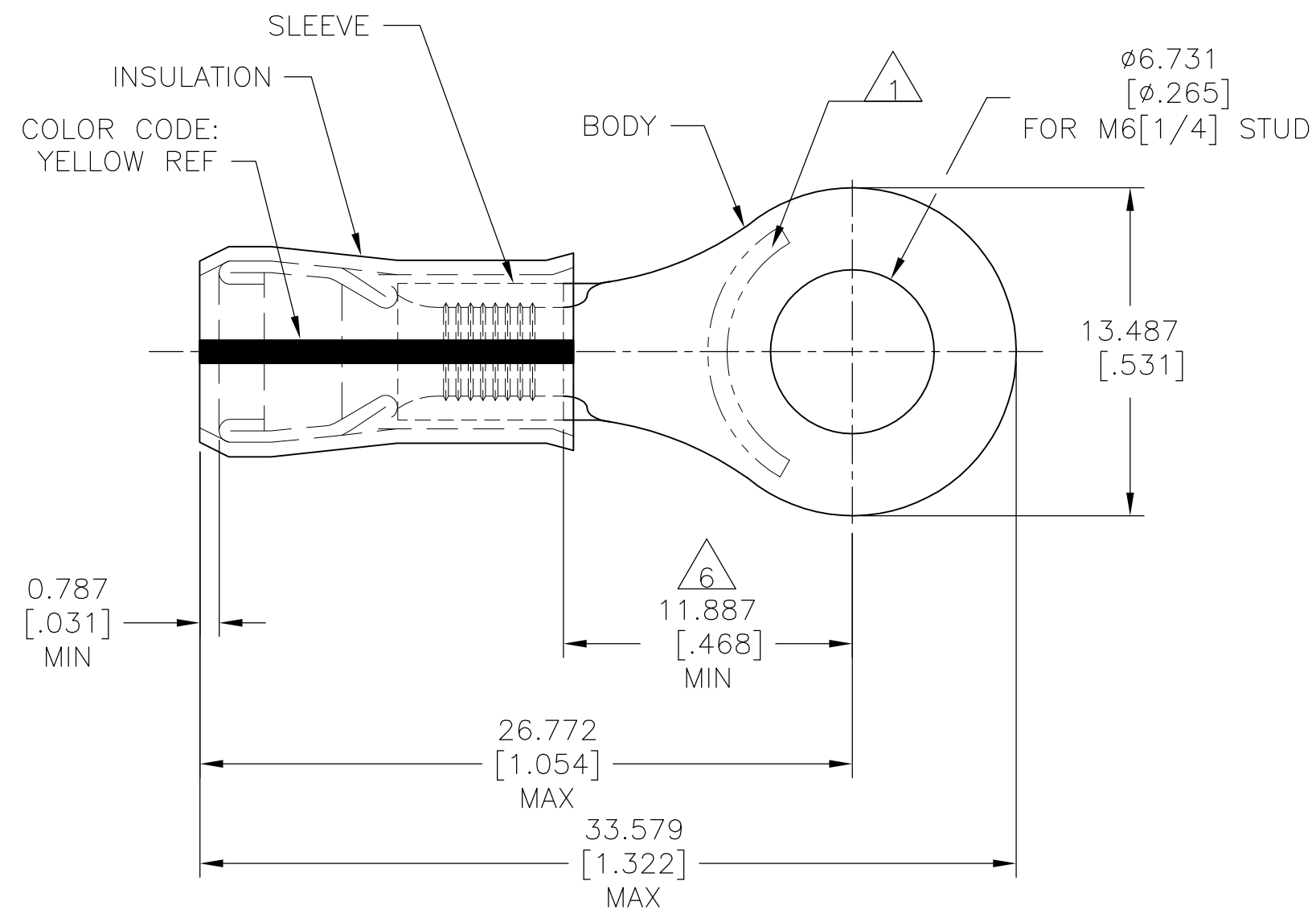


REVISIONS					
P	LTR	DESCRIPTION	DATE	DWN	APVD
	L3	REVISED PER ECO-12-007718	08MAY12	KH	DR
	L4	REVISED PER ECO-17-007400	24NOV2017	RS	DR



- 1 STAMP AMP 12-10* APPROX AS SHOWN.
- 2 WIRE INSULATION : $\phi 3.810-5.842$ [$\phi .150-.230$]
- 3 BODY MATERIAL THK: 0.991 ± 0.051 [$.039 \pm .002$]
- 4 FINISH:
 BODY & SLEEVE: TIN-LEAD (93-7) PLATE PER ASTM B545,
 (3% MIN LEAD CONTENT)
 INSULATION: COLOR-NATURAL.
- 5 MATERIAL:
 BODY & SLEEVE: CU PER ASTM B152
 INSULATION: PVF2,
- 6 APPLIES FROM EDGE OF METAL WIRE BARREL
 TO CENTER OF STUD HOLE.
- 7 MEETS M7928/4-157, CLASS 1 & 2
 MEETS M7928/13-157. CLASS 1 & 2

500	LOOSE PIECE	53426-1
QTY	PACKAGE TYPE	PART NO

AMP INCORPORATED CUSTOMER SERVICE SYSTEMS		MAX RECOMMENDED OPERATING TEMPERATURE: 150°C [302°F] MAX	THIS DRAWING IS A CONTROLLED DOCUMENT.		DWN JR RUTH 16OCT07	TE Connectivity				
FOR ADDITIONAL PRODUCT INFORMATION OR COPIES OF DRAWINGS AND TECHNICAL DOCUMENTS	PRODUCT INFORMATION CENTER 1-800-522-6752	VOLTAGE RATING: -	DIMENSIONS: mm [INCHES]	TOLERANCES UNLESS OTHERWISE SPECIFIED:	CHK T MICHELUTTI 16OCT07					NAME T MICHELUTTI 16OCT07
FOR APPLICATION TOOLING INFORMATION	TOOLING ASSISTANCE CENTER 1-800-722-1111	CIRCULAR MIL AREA: 2.62-6.64mm² [5,180-13,100] STRANDED			APVD T MICHELUTTI 16OCT07	PRODUCT SPEC -				
FOR ORDER ENTRY	1-800-526-5142	THIS DRAWING IS A CONTROLLED DOCUMENT FOR AMP INCORPORATED. IT IS SUBJECT TO CHANGE AND THE CONTROLLING ENGINEERING ORGANIZATION SHOULD BE CONTACTED FOR THE LATEST REVISION.		MATERIAL 5	FINISH 4	APPLICATION SPEC 114-2157	SIZE A3	CAGE CODE 00779	DRAWING NO C-53426	RESTRICTED TO -
CUSTOMER DRAWING					SCALE 4:1	SHEET 1 OF 1	REV L4			

X-ON Electronics

Largest Supplier of Electrical and Electronic Components

Click to view similar products for [Terminals](#) category:

Click to view products by [TE Connectivity](#) manufacturer:

Other Similar products are found below :

[00-054007-01074-6](#) [00-054007-70206-1](#) [00-054007-70210-8](#) [00-054007-70217-7](#) [00-054007-70226-9](#) [00-054007-70228-3](#) [00-054007-70248-1](#) [00-054007-70256-6](#) [00-054007-70301-3](#) [00-054007-70316-7](#) [0-0320562-0](#) [00-054007-49560-4](#) [00-054007-70209-2](#) [00-054007-70225-2](#) [00-054007-70227-6](#) [00-054007-70231-3](#) [00-054007-70241-2](#) [00-054007-70242-9](#) [00-054007-70244-3](#) [00-054007-70246-7](#) [00-054007-70263-4](#) [00-054007-70288-7](#) [00-054007-70290-0](#) [00-054007-70300-6](#) [00-054007-70304-4](#) [01-2065-1-0216](#) [01-2900-1-04412](#) [00581P0075](#) [600TS-10](#) [60205-1](#) [604200-1](#) [605601-1](#) [60598-1-CUT-TAPE](#) [61314-6-C](#) [61810-3](#) [61-S](#) [61-SN](#) [626-0194](#) [62-NBM-A](#) [62-SN](#) [62-SP](#) [63-S](#) [640179-1](#) [M55155/059I03](#) [M55155/079C01](#) [M55155/099H02](#) [M55155/109H01](#) [M55155/109H02](#) [M55155/12XH05](#) [M55155/16XH02](#)