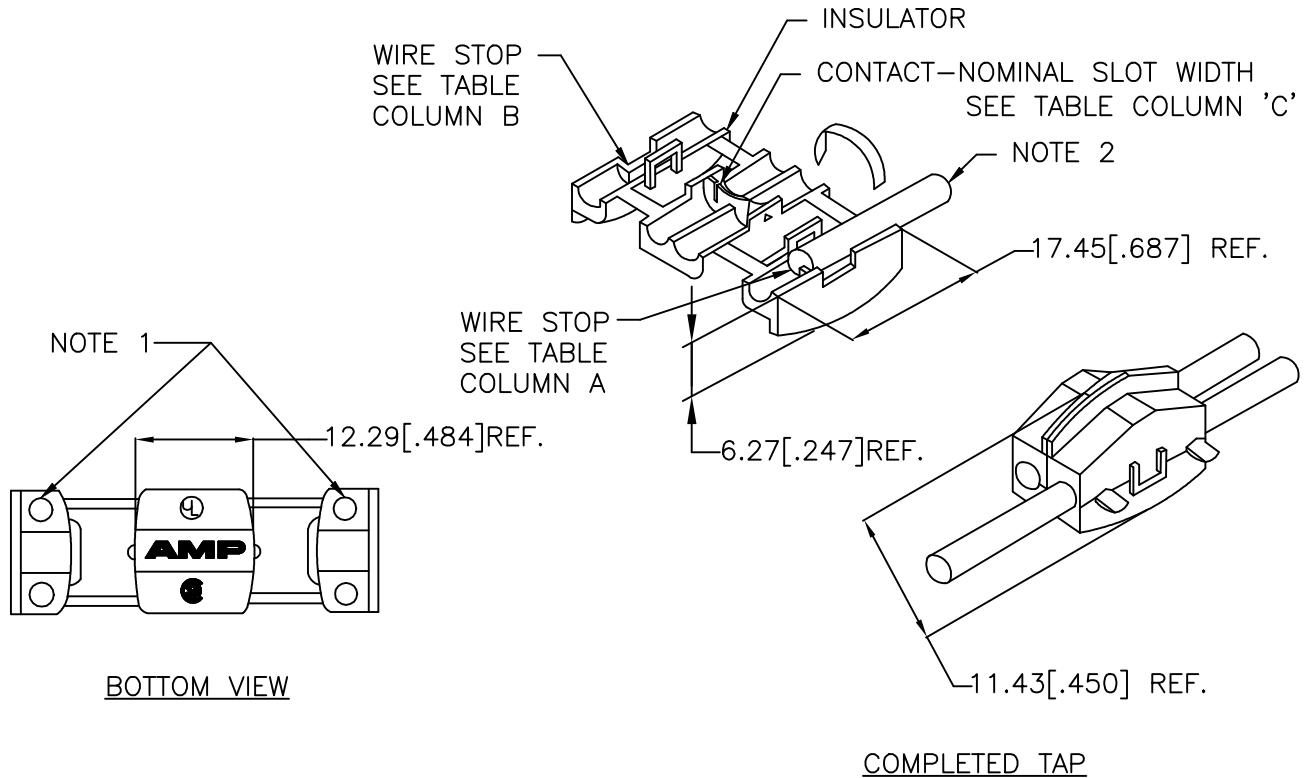



REVISIONS					
P	LTR	DESCRIPTION	DATE	DWN	APVD
	M1	REVISED PER ECO-17-016703	09APR2018	RS	DR

1. DOTTED CIRCLES SHOW APPROX. LOCATION OF WIRE RANGE IDENTIFIERS.
2. 4.06[.160] MAX: INSULATION DIA.
3. UL AND CSA LOGOS TO APPEAR ON HOUSING AS SHOWN
4. NOTE DELETED
5. 100 PIECES IN A BOX
6. 5 PIECES IN A PRINTED POLY BAG WITH PEG HOLE.



LOOSE PIECE	1000	0.51[.020]	NO	YES	RED	0.5-0.8	[20-18]	53440-2
LOOSE PIECE	1000	0.71[.028]	NO	YES	BLUE	0.8-2	[18-14]	53440-1
PACKAGE TYPE	QTY	C	B	A	COLOR	mm <sup>2</sup> WIRE SIZE	AWG	PART NO

THIS DRAWING IS UNPUBLISHED. ALL RIGHTS RESERVED. © COPYRIGHT - TE Connectivity Ltd.

DIMENSIONS: mm [INCHES]	DWN	RAVI S	09APR2018	MATERIAL	CONTACT: BRASS ASTM B36 HOUSING NYLON ASTM D4066	FINISH	CONTACT TIN PLATE PER ASTM B545	
	CHK	ROHDE DANIEL F	09APR2018	 TE Connectivity Ltd.				
TOLERANCES UNLESS OTHERWISE SPECIFIED: 0 PLC ± - 1 PLC ± - 2 PLC ± - 3 PLC ± - 4 PLC ± - ANGLES ± -	APVD	ROHDE DANIEL F	09APR2018					
	PRODUCT SPEC	NAME						ELECTRO - TAP
	APPLICATION SPEC	SIZE						A4
	WEIGHT	2.18 g	CAGE CODE	00779	DRAWING NO	C= 53440		
	CUSTOMER DRAWING				SCALE	NTS	SHEET 1 OF 1	REV M1

## X-ON Electronics

Largest Supplier of Electrical and Electronic Components

*Click to view similar products for [Terminals](#) category:*

*Click to view products by [TE Connectivity](#) manufacturer:*

Other Similar products are found below :

[00-054007-01074-6](#) [00-054007-70206-1](#) [00-054007-70210-8](#) [00-054007-70217-7](#) [00-054007-70226-9](#) [00-054007-70228-3](#) [00-054007-70248-1](#) [00-054007-70256-6](#) [00-054007-70301-3](#) [00-054007-70316-7](#) [0-0320562-0](#) [00-054007-49560-4](#) [00-054007-70209-2](#) [00-054007-70225-2](#) [00-054007-70227-6](#) [00-054007-70231-3](#) [00-054007-70241-2](#) [00-054007-70242-9](#) [00-054007-70244-3](#) [00-054007-70246-7](#) [00-054007-70263-4](#) [00-054007-70288-7](#) [00-054007-70290-0](#) [00-054007-70300-6](#) [00-054007-70304-4](#) [01-2065-1-0216](#) [01-2900-1-04412](#) [00581P0075](#) [600TS-10](#) [60205-1](#) [604200-1](#) [605601-1](#) [60598-1-CUT-TAPE](#) [61314-6-C](#) [61810-3](#) [61-S](#) [61-SN](#) [626-0194](#) [62-NBM-A](#) [62-SN](#) [62-SP](#) [63-S](#) [640179-1](#) [M55155/059I03](#) [M55155/079C01](#) [M55155/099H02](#) [M55155/109H01](#) [M55155/109H02](#) [M55155/12XH05](#) [M55155/16XH02](#)