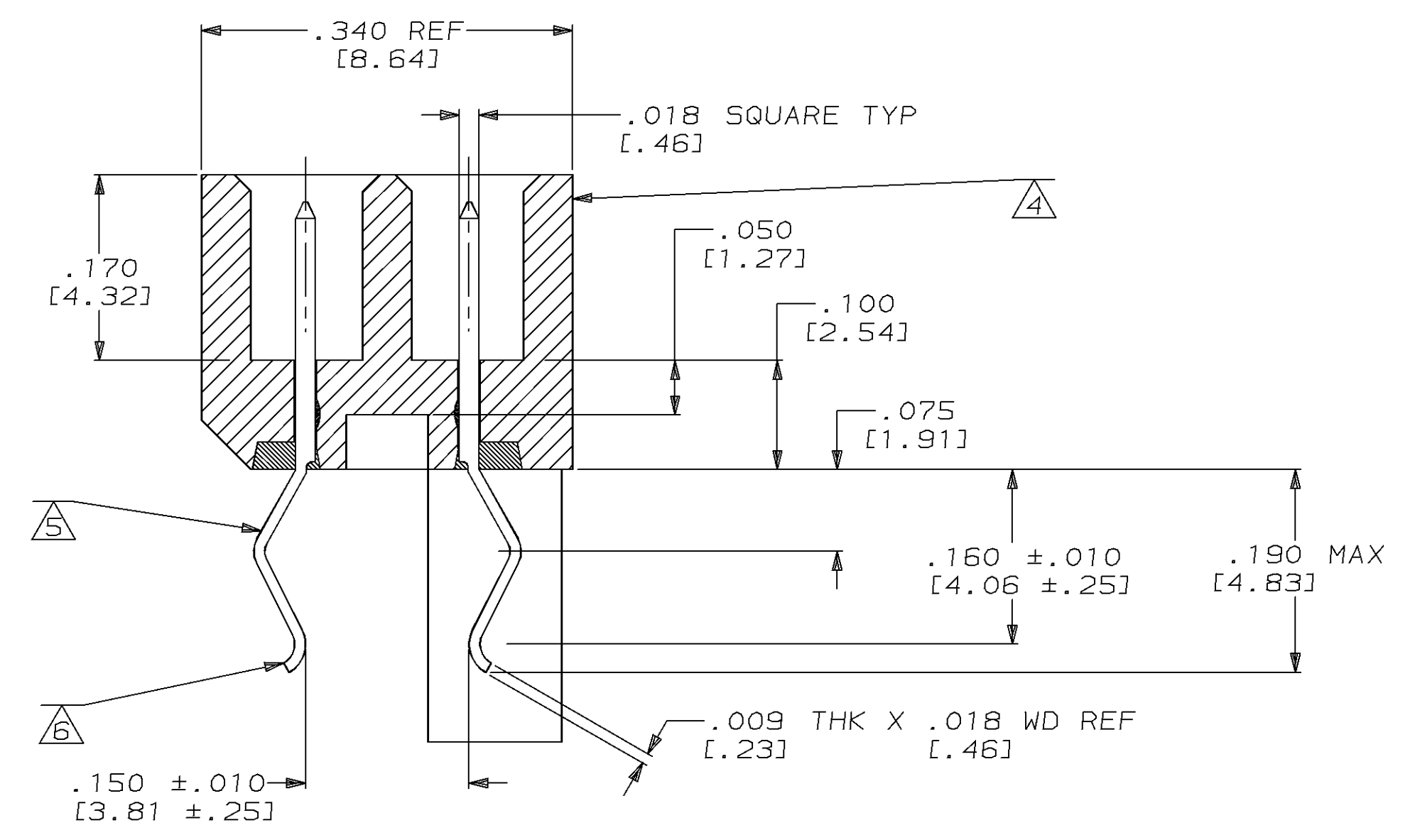
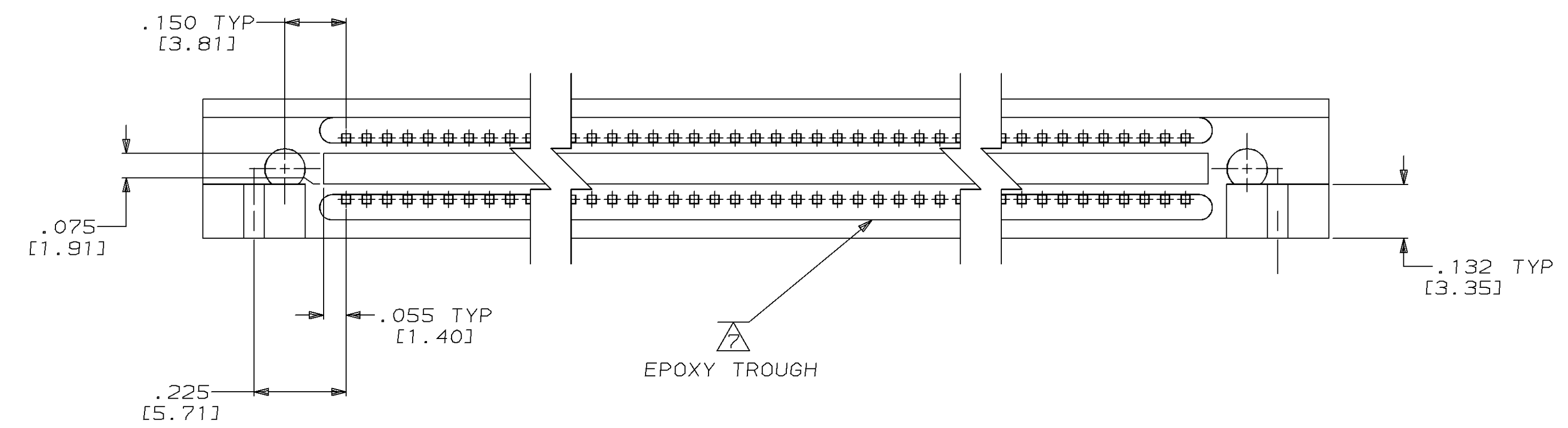
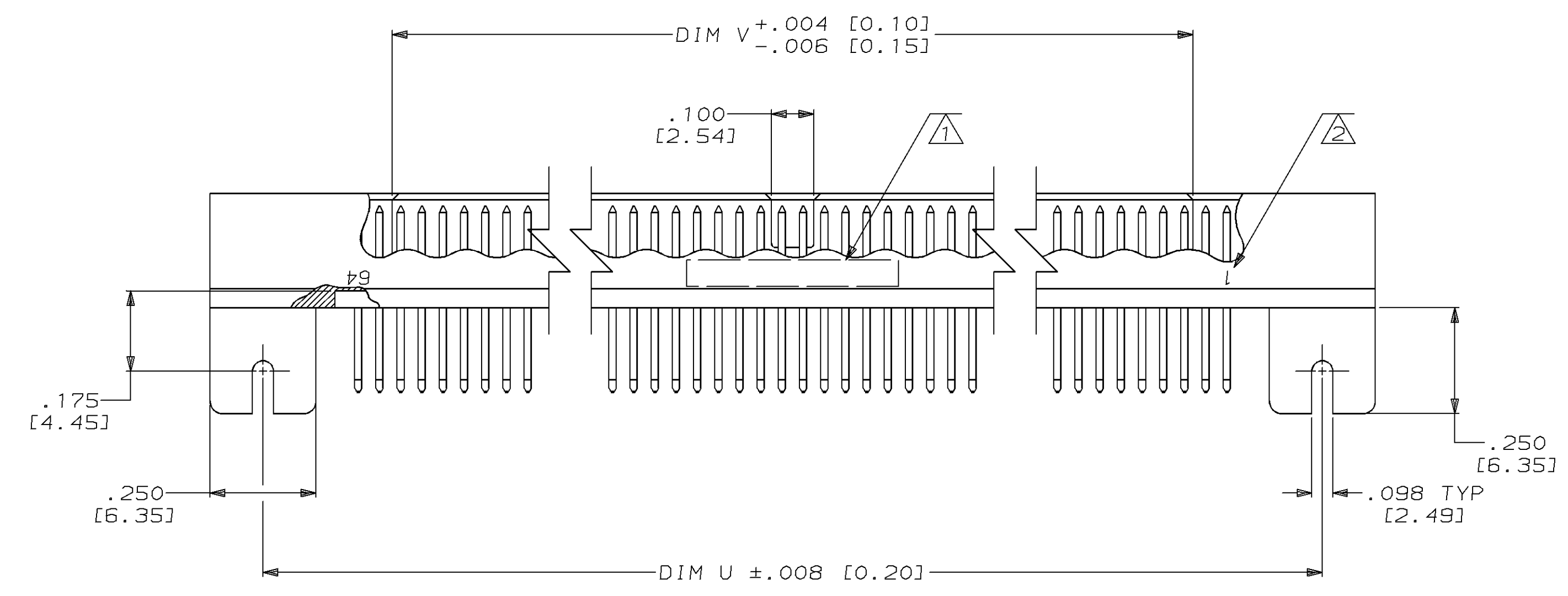
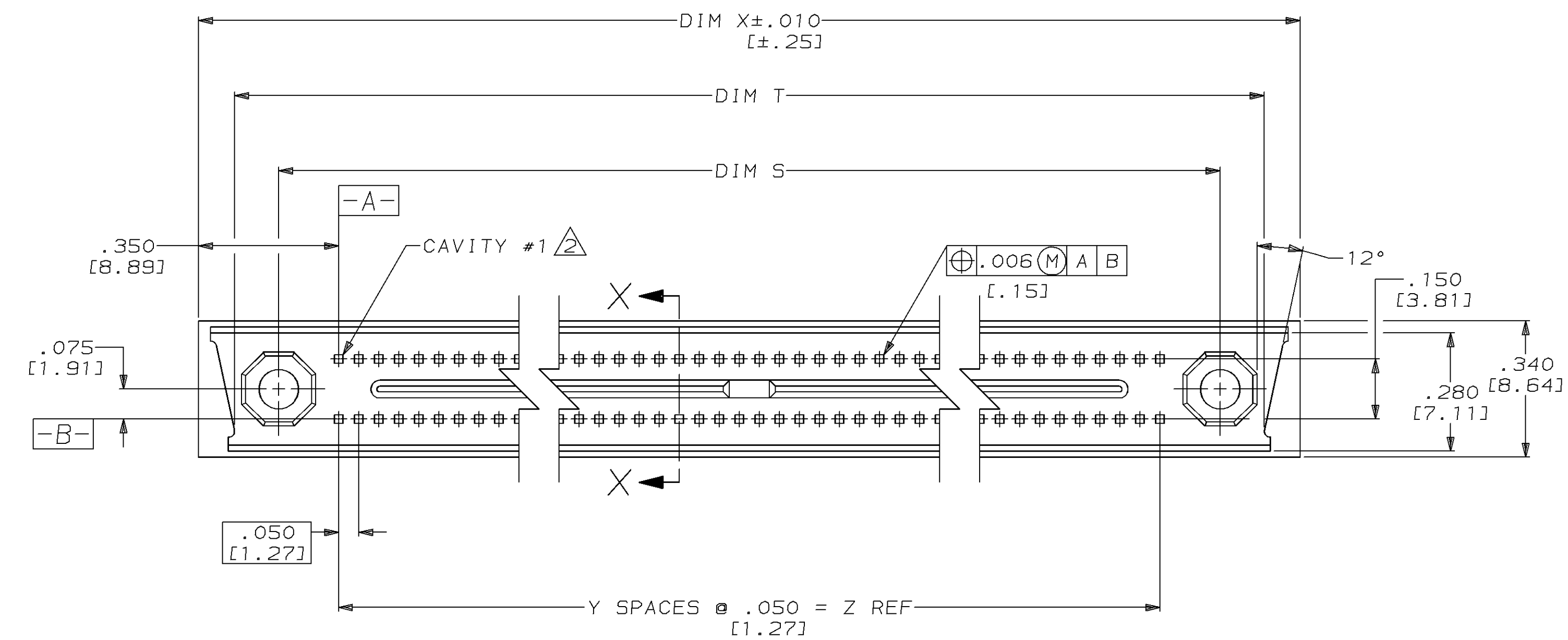
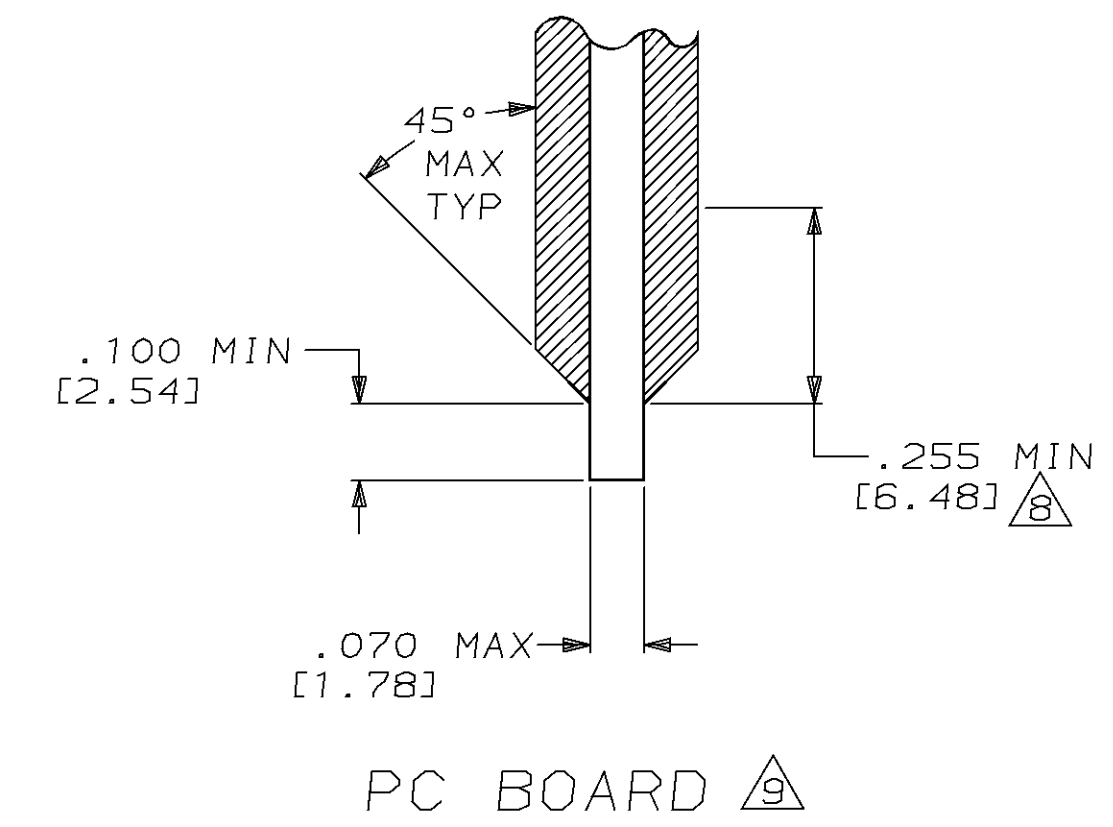


PROD		LOC	DIST	REVISIONS						
CODE	DF	FO	P	F	ZONE	LTR	DESCRIPTION	DATE	APPD	
5327			✓		G		REV & REDWN PER DF-5332	A. G.	1-92	DG
			✓		H		REV PER 0600-1388-93	TA	5-4-94	DG



SECTION X-X
SCALE 8:1



- ① AMP, PART NUMBER & DATE CODE MARKED THIS SIDE ONLY.
- ② NUMBERS INDICATING END POSITIONS MARKED THIS SIDE 1 AND 64, OPPOSITE SIDE 64 AND 1.
- ③ MEET ALL APPLICABLE REQUIREMENTS OF MIL-C-55302.
- ④ HOUSING MATERIAL: LIQUID CRYSTAL POLYMER PER MIL-M-24519, GLCP-30F; COLOR: GRAY.
- ⑤ CONTACT MATERIAL: BRASS.
- ⑥ CONTACT FINISH: .000050 GOLD IN CONTACT AREA, NICKEL UNDERPLATE ALL OVER, TAILS DIPPED BY AMP FOR SOLDERING.
- ⑦ EPOXY ADDED TO BOTTOM WHERE CONTACT TAILS EXIT FROM THE HOUSING. EPOXY SHALL BE SUB-SURFACE BETWEEN CONTACT ROWS WHERE PCB INTERFACES.
- ⑧ THE POINT WHERE THE CONNECTOR EARS INTERFACES THE P.C. BD. THE BOARD SHALL BE NO THICKER THAN THE CORE FITTING INTO THE CONNECTOR SLOT.
- ⑨ EXTREME CARE AND CAUTION MUST BE TAKEN WHEN INSERTING P.C. BD. ON CONTACT TAILS.

7303050CN794706-2	3.150 [80.01]	63	3.850 [97.79]	2.990 [75.95]	3.600 [91.44]	3.670 [93.22]	3.450 [87.63]	128	534664-1
CUSTOMER PART NUMBER	DIM Z	DIM Y	DIM X	DIM V	DIM U	DIM T	DIM S	NUMBER OF CONTACTS	PART NUMBER
DO NOT SCALE PRINT. UNLESS SPECIFIED DIMENSIONS IN INCHES [mm] TOLERANCES ON:			DR 2-20-91 T. SHUEY			AMP AMP Incorporated Harrisburg, PA 17105-3608			
2 PLC DEC ±			CHK 12-31-91 D. GUTTER						
3 PLC DEC ± .005 (0.13)			APPD 12-31-91 D. GUTTER			NAME			
ANGLES ± 0° 30'			APPD 12-31-91 D. GUTTER			ASSEMBLY, PIN HEADER, MINI-BOX,			
MATERIAL			PRODUCT SPEC			SHROUDED, CARD EXTENDER			
FINISH			APPLICATION SPEC			SIZE		CAGE CODE	DRAWING NO
④ ⑤			-			D		00779	534664
⑥			-			SCALE		4:1	SHEET
			-						1 OF 1

X-ON Electronics

Largest Supplier of Electrical and Electronic Components

Click to view similar products for [Headers & Wire Housings](#) category:

Click to view products by [TE Connectivity](#) manufacturer:

Other Similar products are found below :

[95000-104TRLF](#) [10135584-644402LF](#) [DF62W-EP2022PCA](#) [95000-106TRLF](#) [DF62W-2022SCA](#) [DF62W-EP2022PC](#) [2203348](#) [DF62W-2022SC](#) [1084018](#) [1029039](#) [1084017](#) [802-10-012-10-002000](#) [1112640](#) [1112639](#) [891-007-9SS-BST1T](#) [000-34000](#) [0008550134](#) [0009482033](#) [0009507031](#) [57102-F02-18ULF](#) [57102-S06-03LF](#) [57202-S52-04LF](#) [PCN6-15S-2.5E](#) [0039019024](#) [58102-G61-06LF](#) [582553-1](#) [0009485154](#) [0009508121](#) [0022285053](#) [0050291907](#) [018731A](#) [LY20-4P-DT1-P1E-BR](#) [02.125.8002.8](#) [60101931](#) [60598-1 \(Cut Strip\)](#) [M1625-3R/100](#) [61062-3](#) [61082-181009](#) [CSU011177004](#) [636-1427](#) [638009-1](#) [641938-9](#) [641991-4](#) [644168-1](#) [644827-2](#) [647662-1](#) [65039-019ELF](#) [65692-001LF](#) [65781-018](#) [65781-047](#)