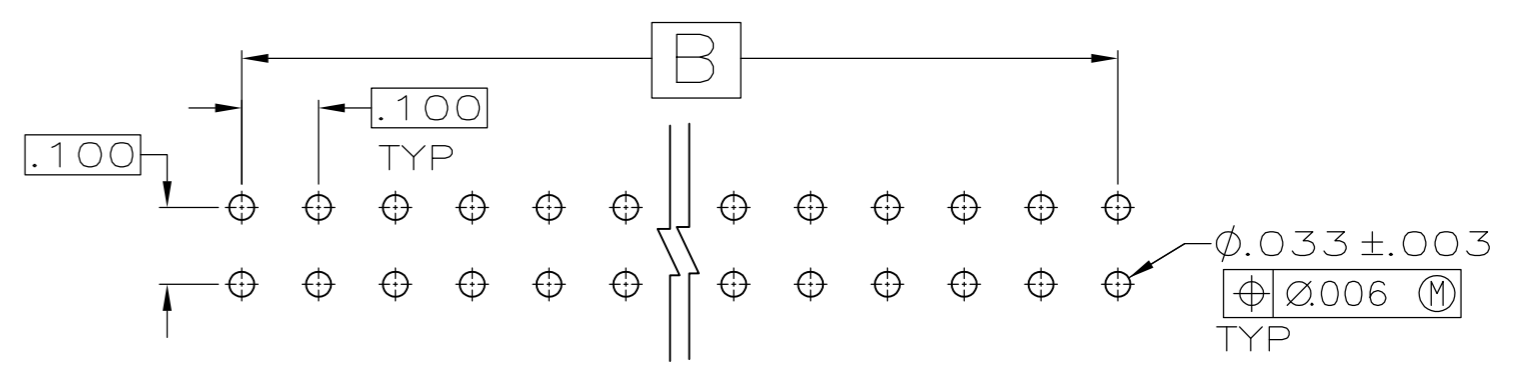
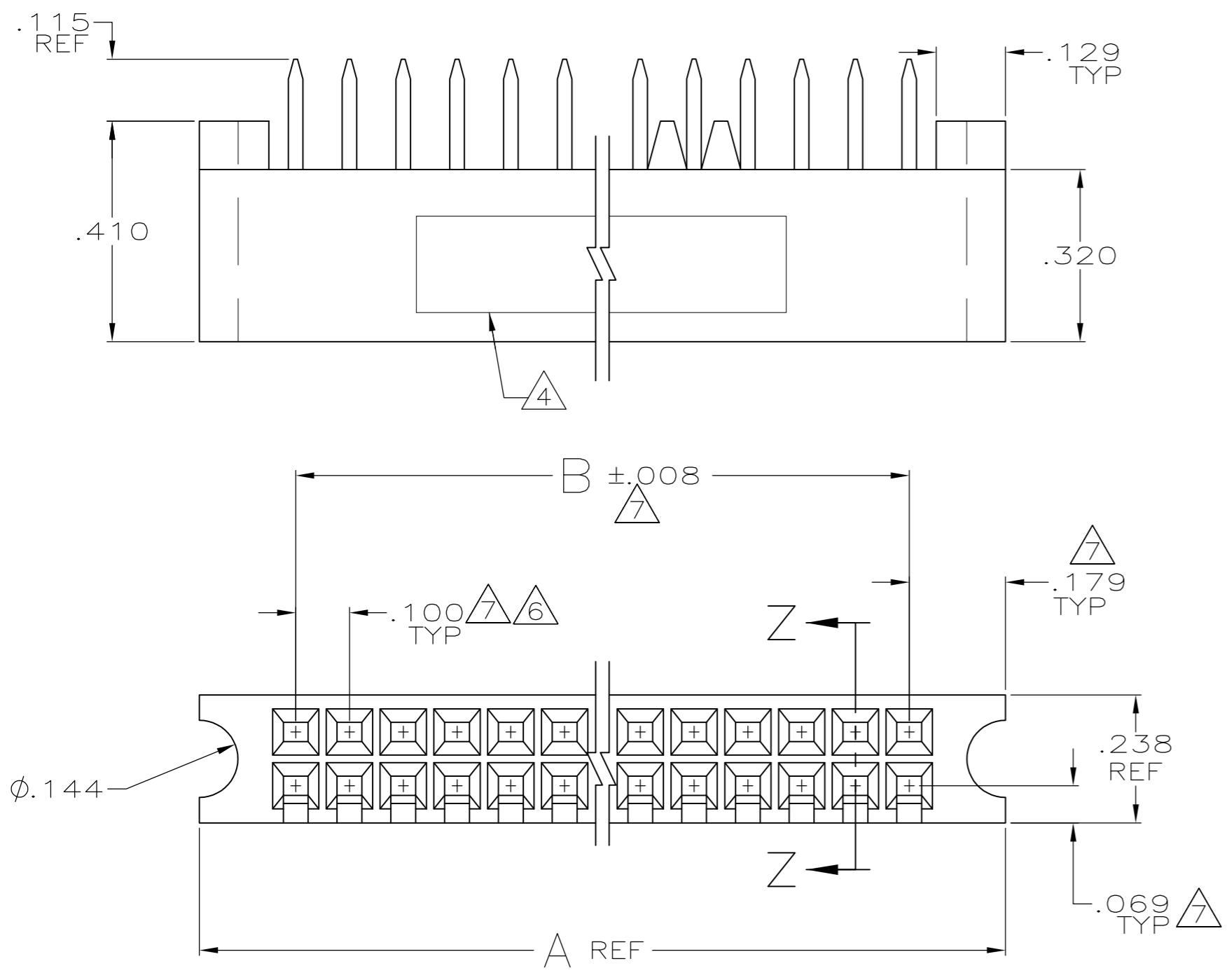
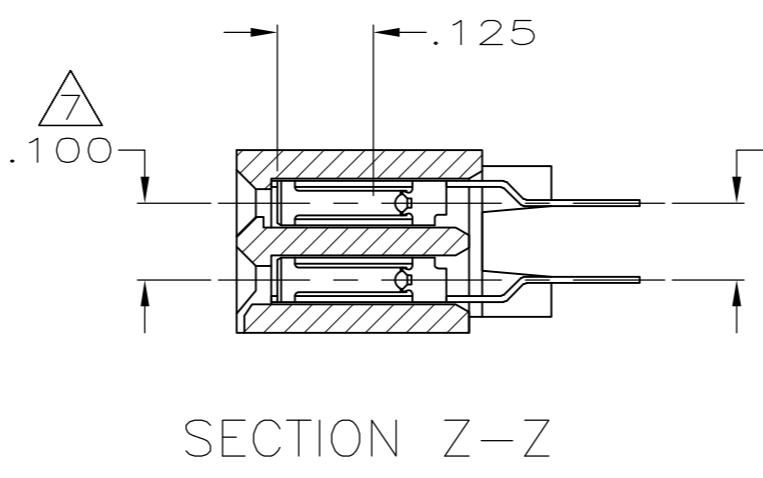


THIS DRAWING IS UNPUBLISHED. RELEASED FOR PUBLICATION  
 © COPYRIGHT - By - ALL RIGHTS RESERVED.

LOC		DIST		REVISIONS			
P	LTR	DESCRIPTION		DATE	DWN	APVD	
AD	00	P3		REVISED PER ECO-12-010411	05JUN12	KH	MM



RECOMMENDED P.C. BD. LAYOUT



SECTION Z-Z

FINISH	B	A	NO OF POSN	PART NUMBER
OBSOLETE	.500	.858	12	6-534972-5
OBSOLETE	.700	1.058	16	6-534972-4
OBSOLETE	7.900	8.258	160	6-534972-3
OBSOLETE	6.900	7.258	140	6-534972-2
OBSOLETE	6.400	6.758	130	6-534972-1
OBSOLETE	5.900	6.258	120	6-534972-0
OBSOLETE	5.100	5.458	104	5-534972-9
OBSOLETE	4.900	5.258	100	5-534972-8
OBSOLETE	4.400	4.758	90	5-534972-7
OBSOLETE	3.900	4.258	80	5-534972-6
OBSOLETE	3.400	3.758	70	5-534972-5
OBSOLETE	2.900	3.258	60	5-534972-4
OBSOLETE	2.400	2.758	50	5-534972-3
OBSOLETE	1.900	2.258	40	5-534972-2
OBSOLETE	1.400	1.758	30	5-534972-1
OBSOLETE	.500	.858	12	1-534972-5
OBSOLETE	.700	1.058	16	1-534972-4
OBSOLETE	7.900	8.258	160	1-534972-3
OBSOLETE	6.900	7.258	140	1-534972-2
OBSOLETE	6.400	6.758	130	1-534972-1
OBSOLETE	5.900	6.258	120	1-534972-0
OBSOLETE	5.100	5.458	104	534972-9
OBSOLETE	4.900	5.258	100	534972-8
OBSOLETE	4.400	4.758	90	534972-7
OBSOLETE	3.900	4.258	80	534972-6
OBSOLETE	3.400	3.758	70	534972-5
OBSOLETE	2.900	3.258	60	534972-4
OBSOLETE	2.400	2.758	50	534972-3
OBSOLETE	1.900	2.258	40	534972-2
OBSOLETE	1.400	1.758	30	534972-1

- 1 HSG. POLYPHENYLENE SULFIDE.
- 2 CONTACT: PHOS BRONZE.
- 3 DUPLEX PLATED: .000030 GOLD ON CONTACT AREA ONLY, .000050-.000100 BRIGHT TIN-LEAD ON SOLDER TINES ALL OVER .000050 NICKEL ENTIRE CONTACT.
- 4 "AMP", "CSA", DATE CODE, AND PART NUMBER MARKED WITH .062±.015 HIGH CHARACTERS. THE ORDER AND LOCATION IS OPTIONAL.
- 5 POINT OF MEASUREMENT FOR PLATING THICKNESS INSIDE BEAMS.
- 6 TOLERANCE NON-CUMULATIVE.
- 7 THESE DIMENSIONS PERTAIN TO CAVITY CENTERLINES NOT THE CONTACT LOCATIONS.
- 8 OBSOLETE PART NUMBER.
- 9 PRELIMINARY PART - NOT RELEASED FOR PRODUCTION
- 10 DUPLEX PLATED: .000030 GOLD ON CONTACT AREA ONLY, .000050-.000100 MATTE TIN ON SOLDER TINES ALL OVER .000050 NICKEL ENTIRE CONTACT.
- 11 ROHS 2002/95/EC COMPLIANT.
- 12 OBSOLETE PARTS: OBSOLETE CIS STREAMLINING PER D.RENAUD/D.SINISI

THIS DRAWING IS A CONTROLLED DOCUMENT.

DIMENSIONS: INCHES	TOLERANCES UNLESS OTHERWISE SPECIFIED:	DWN M. SMITH 6-25-87	 TE Connectivity
	0 PLC ± -	CHK D. SARVER 7-8-87	
	1 PLC ± -	APVD D. SARVER 7-8-87	
	2 PLC ± -	PRODUCT SPEC	
MATERIAL	FINISH	APPLICATION SPEC	NAME
1 2	SEE TABLE	WEIGHT	RECEPTACLE ASSY, VERTICAL
		CUSTOMER DRAWING	MT, MOD II, .100 x .100CL
			WITH MTG EARS, SHORT-POINT
			SIZE CAGE CODE DRAWING NO RESTRICTED TO
			A2 00779 C=534972
			SCALE 4:1 SHEET 1 of 1 REV P3

## X-ON Electronics

Largest Supplier of Electrical and Electronic Components

*Click to view similar products for [Headers & Wire Housings](#) category:*

*Click to view products by [TE Connectivity](#) manufacturer:*

Other Similar products are found below :

[892-18-020-10-001101](#) [58102-G61-06LF](#) [582553-1](#) [0009485154](#) [009176003701906](#) [0050291907](#) [LY20-4P-DT1-P1E-BR](#) [02.125.8002.8](#)  
[609-3404](#) [61062-3](#) [61082-181009](#) [622-3653LF](#) [63453-116](#) [636-1030](#) [636-1427](#) [636-3427](#) [636-4007](#) [641938-9](#) [641991-4](#) [644827-2](#) [65817-010LF](#) [65817-015LF](#) [65863-015LF](#) [66207-023LF](#) [67095-007LF](#) [67601157](#) [68645-018](#) [68648-049](#) [70.362.1628.0](#) [70-4210](#) [70-4226B](#) [70-4853B](#) [707-5020](#) [707-5028](#) [71.350.2428.0](#) [71918-208LF](#) [71961-016LF](#) [733-134](#) [733-162](#) [754199-000](#) [760-3052](#) [787-8014-00](#) [79531-3000](#)  
[FCN-360C032-B](#) [FCN-367T-T012/H](#) [FCN-723D010/2](#) [80.063.4001.1](#) [800-90-001-10-001000](#) [800-90-010-10-002000](#) [801-43-002-10-013000](#)