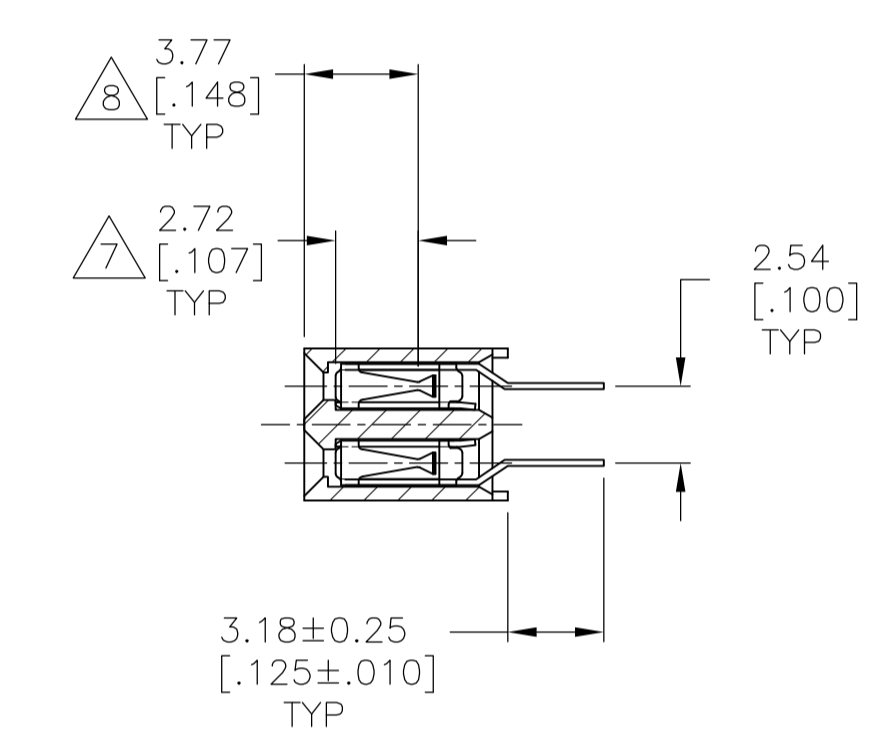
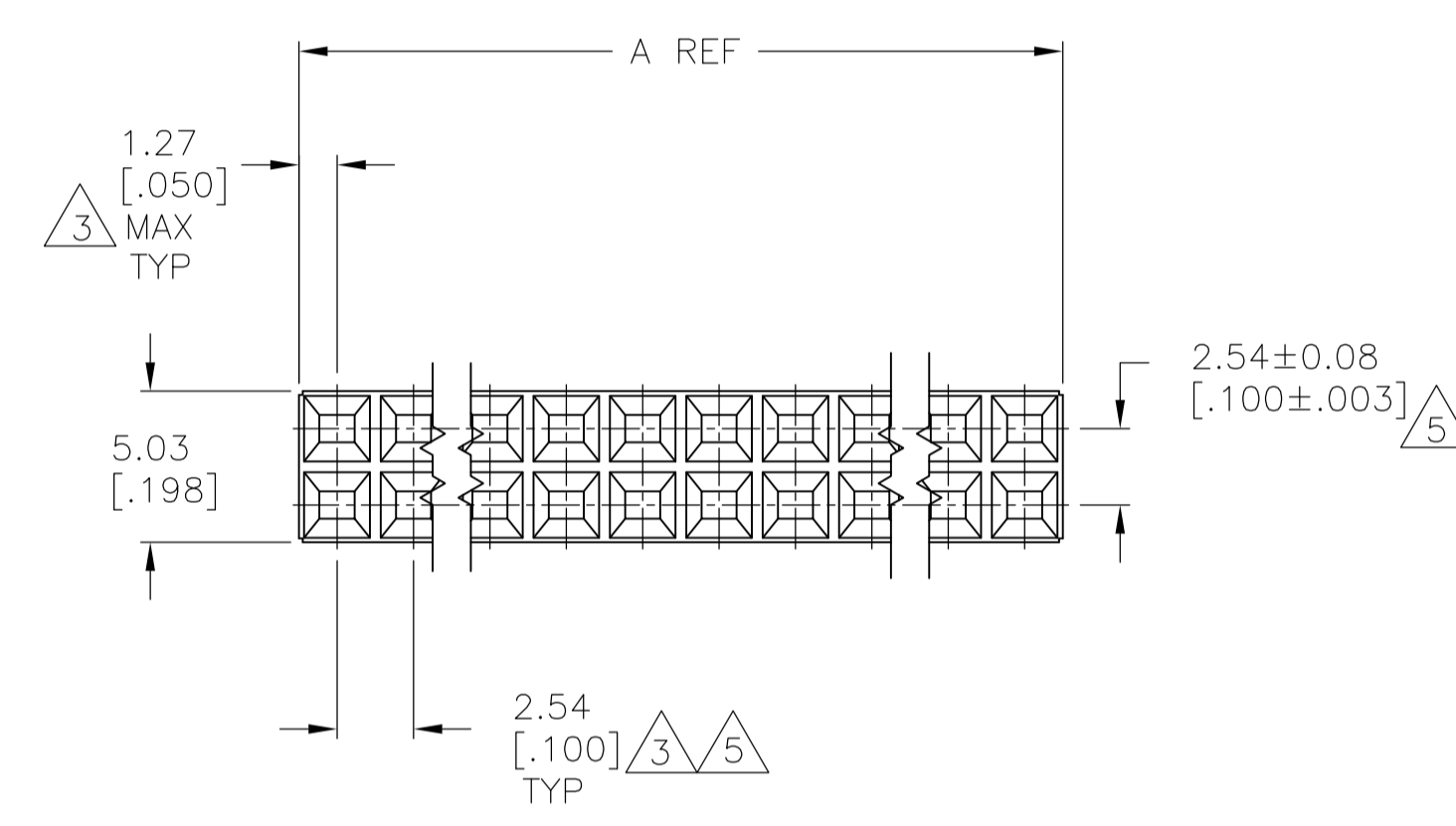
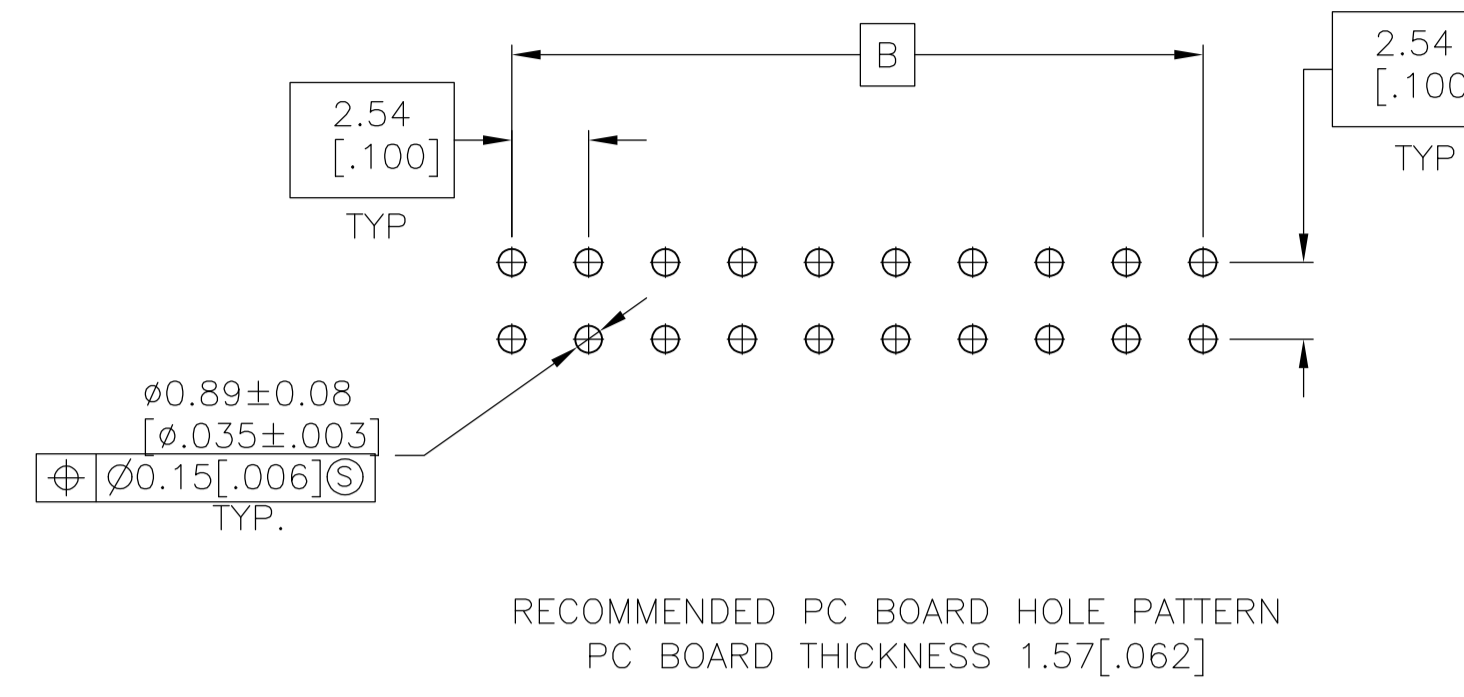
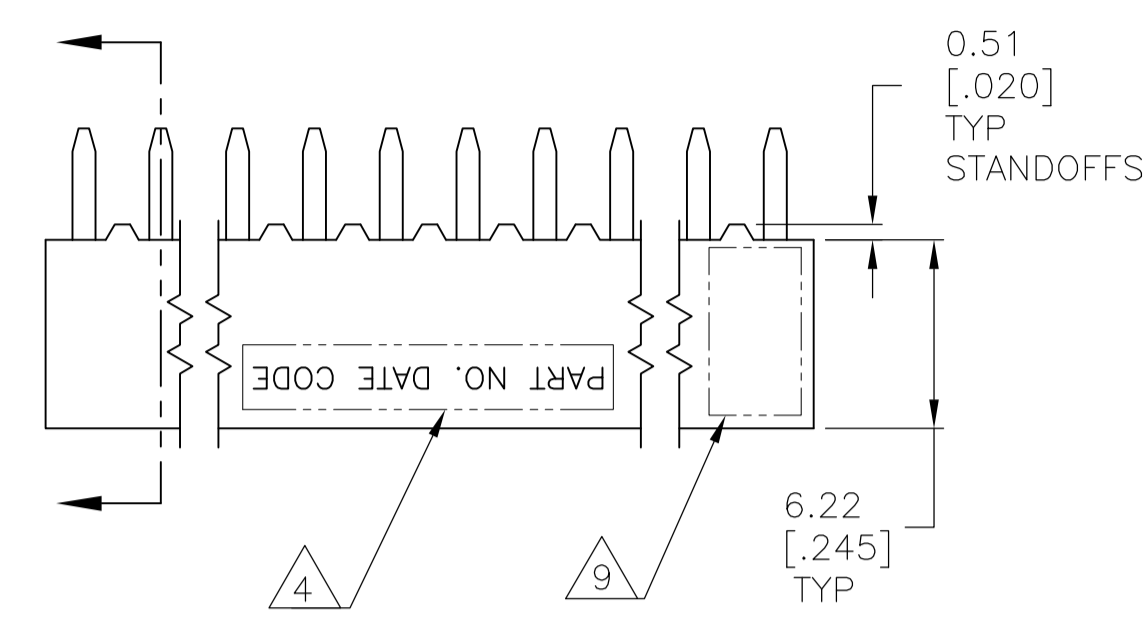


SEE SHEET 2
FOR P/N'S -51 THRU -90



2	88.90 [3.500]	91.44 [3.600]	72	3-534998-6
2	86.36 [3.400]	88.90 [3.500]	70	3-534998-5
2	83.82 [3.300]	86.36 [3.400]	68	3-534998-4
2	81.28 [3.200]	83.82 [3.300]	66	3-534998-3
2	78.74 [3.100]	81.28 [3.200]	64	3-534998-2
2	76.20 [3.000]	78.74 [3.100]	62	3-534998-1
2	73.66 [2.900]	76.20 [3.000]	60	3-534998-0
2	71.12 [2.800]	73.66 [2.900]	58	2-534998-9
2	68.58 [2.700]	71.12 [2.800]	56	2-534998-8
2	66.04 [2.600]	68.58 [2.700]	54	2-534998-7
2	63.50 [2.500]	66.04 [2.600]	52	2-534998-6
2	60.96 [2.400]	63.50 [2.500]	50	2-534998-5
2	58.42 [2.300]	60.96 [2.400]	48	2-534998-4
2	55.88 [2.200]	58.42 [2.300]	46	2-534998-3
2	53.34 [2.100]	55.88 [2.200]	44	2-534998-2
2	50.80 [2.000]	53.34 [2.100]	42	2-534998-1
2	48.26 [1.900]	50.80 [2.000]	40	2-534998-0
2	45.72 [1.800]	48.26 [1.900]	38	1-534998-9
2	43.18 [1.700]	45.72 [1.800]	36	1-534998-8
2	40.64 [1.600]	43.18 [1.700]	34	1-534998-7
2	38.10 [1.500]	40.64 [1.600]	32	1-534998-6
2	35.56 [1.400]	38.10 [1.500]	30	1-534998-5
2	33.02 [1.300]	35.56 [1.400]	28	1-534998-4
2	30.48 [1.200]	33.02 [1.300]	26	1-534998-3
2	27.94 [1.100]	30.48 [1.200]	24	1-534998-2
2	25.40 [1.000]	27.94 [1.100]	22	1-534998-1
2	22.86 [.900]	25.40 [1.000]	20	1-534998-0
2	20.32 [.800]	22.86 [.900]	18	534998-9
2	17.78 [.700]	20.32 [.800]	16	534998-8
2	15.24 [.600]	17.78 [.700]	14	534998-7
2	12.70 [.500]	15.24 [.600]	12	534998-6
2	10.16 [.400]	12.70 [.500]	10	534998-5
2	7.62 [.300]	10.16 [.400]	8	534998-4
2	5.08 [.200]	7.62 [.300]	6	534998-3
2	2.54 [.100]	5.08 [.200]	4	534998-2
2	-	2.54 [.100]	2	534998-1

2	SUPERCEDED BY 9-534998-0	99.06 [3.900]	101.60 [4.000]	80	4-534998-0
2		96.52 [3.800]	99.06 [3.900]	78	3-534998-9
2		93.98 [3.700]	96.52 [3.800]	76	3-534998-8
2		91.44 [3.600]	93.98 [3.700]	74	3-534998-7
		B	A	NO OF POSN	PART NUMBER

- 1 HOUSING: FLAME RETARDANT, GLASS FILLED, THERMOPLASTIC, COLOR: BLACK. CONTACT: PHOSPHOR BRONZE
- 2 CONTACT: DUPLEX PLATED 0.76µm[.000030] GOLD IN CONTACT AREA, 3.81-7.62µm[.000150-.000300] BRIGHT TIN-LEAD ON LEADS, ALL OVER 1.27µm[.000050] NICKEL
- 3 THESE DIMENSIONS PERTAIN TO CAVITY CENTERLINES ONLY - NOT TO CONTACT LOCATIONS
- 4 PART NUMBER AND DATE CODE ARE MARKED IN APPROXIMATE LOCATION SHOWN, EITHER SIDE.
- 5 TOLERANCE IS NON-CUMULATIVE.
- 6 2 POSITION DATE CODE IS MARKED OPPOSITE SIDE OF TE CONNECTIVITY LOGO.
- 7 POINT-OF-MEASUREMENT DIMENSION FOR PLATING THICKNESS (INSIDE CONTACT BEAM).
- 8 POINT-OF-CONTACT DIMENSION.
- 9 TE CONNECTIVITY TRADEMARK AND CSA LOGO ARE MOLDED INTO HOUSING, THIS LOCATION.
- 10 NO PART NUMBER MARKING REQUIRED FOR THIS PART.
- 11 CONTACT: DUPLEX PLATED 0.76µm[.000030] GOLD IN CONTACT AREA, 3.81-7.62µm[.000150-.000300] MATTE TIN ON LEADS, ALL OVER 1.27µm[.000050] NICKEL
- 12 ROHS 2002/95/EC COMPLIANT

THIS DRAWING IS A CONTROLLED DOCUMENT.

DIMENSIONS: mm [INCHES]	TOLERANCES UNLESS OTHERWISE SPECIFIED:	DIN M. BINNER 06NOV02	TE Connectivity
0 PLC ± -	1 PLC ± ± 0.13[.005]	CHK J. JOLSON 06NOV02	RECEPTACLE ASSEMBLY, MOD IV, DOUBLE ROW, DUAL ENTRY, .100X.100CL, VERTICAL MOUNT, AMPMODU
1 PLC ± ±	2 PLC ± ±	APVD J. JOLSON 06NOV02	PRODUCT SPEC 108-25022
2 PLC ± ±	3 PLC ± ±		APPLICATION SPEC 114-25018
3 PLC ± ±	4 PLC ± ±		SIZE A1 CAGE CODE DRAWING NO 00779 534998
4 PLC ± ±	ANGLES ± ±		RESTRICTED TO
MATERIAL 1	FINISH 2	WEIGHT -	CUSTOMER DRAWING SCALE 4:1 SHEET 1 OF 2 REV P7

LOC		DIST		REVISIONS					
AD	00	REV	DATE	BY	APPV	DESCRIPTION	DATE	BY	APPV
-	-	1	-	-	-	SEE SHEET 1	-	-	-

	B	A	NO OF POSN	PART NUMBER
	88.90	91.44	72	8-534998-6
	[3.500]	[3.600]		
	86.36	88.90	70	8-534998-5
	[3.400]	[3.500]		
	83.82	86.36	68	8-534998-4
	[3.300]	[3.400]		
	81.28	83.82	66	8-534998-3
	[3.200]	[3.300]		
	78.74	81.28	64	8-534998-2
	[3.100]	[3.200]		
	76.20	78.74	62	8-534998-1
	[3.000]	[3.100]		
	73.66	76.20	60	8-534998-0
	[2.900]	[3.000]		
	71.12	73.66	58	7-534998-9
	[2.800]	[2.900]		
	68.58	71.12	56	7-534998-8
	[2.700]	[2.800]		
	66.04	68.58	54	7-534998-7
	[2.600]	[2.700]		
	63.50	66.04	52	7-534998-6
	[2.500]	[2.600]		
	60.96	63.50	50	7-534998-5
	[2.400]	[2.500]		
	58.42	60.96	48	7-534998-4
	[2.300]	[2.400]		
	55.88	58.42	46	7-534998-3
	[2.200]	[2.300]		
	53.34	55.88	44	7-534998-2
	[2.100]	[2.200]		
	50.80	53.34	42	7-534998-1
	[2.000]	[2.100]		
	48.26	50.80	40	7-534998-0
	[1.900]	[2.000]		
	45.72	48.26	38	6-534998-9
	[1.800]	[1.900]		
	43.18	45.72	36	6-534998-8
	[1.700]	[1.800]		
	40.64	43.18	34	6-534998-7
	[1.600]	[1.700]		
	38.10	40.64	32	6-534998-6
	[1.500]	[1.600]		
	35.56	38.10	30	6-534998-5
	[1.400]	[1.500]		
	33.02	35.56	28	6-534998-4
	[1.300]	[1.400]		
	30.48	33.02	26	6-534998-3
	[1.200]	[1.300]		
	27.94	30.48	24	6-534998-2
	[1.100]	[1.200]		
	25.40	27.94	22	6-534998-1
	[1.000]	[1.100]		
	22.86	25.40	20	6-534998-0
	[.900]	[1.000]		
	20.32	22.86	18	5-534998-9
	[.800]	[.900]		
	17.78	20.32	16	5-534998-8
	[.700]	[.800]		
	15.24	17.78	14	5-534998-7
	[.600]	[.700]		
	12.70	15.24	12	5-534998-6
	[.500]	[.600]		
	10.16	12.70	10	5-534998-5
	[.400]	[.500]		
	7.62	10.16	8	5-534998-4
	[.300]	[.400]		
	5.08	7.62	6	5-534998-3
	[.200]	[.300]		
	2.54	5.08	4	5-534998-2
	[.100]	[.200]		
	-	2.54	2	5-534998-1
		[.100]		

	99.06	101.60	80	9-534998-0
	[3.900]	[4.000]		
	96.52	99.06	78	8-534998-9
	[3.800]	[3.900]		
	93.98	96.52	76	8-534998-8
	[3.700]	[3.800]		
	91.44	93.98	74	8-534998-7
	[3.600]	[3.700]		
	B	A	NO OF POSN	PART NUMBER

THIS DRAWING IS A CONTROLLED DOCUMENT.

DIN	M. BINNER	06NOV02	TE Connectivity RECEPTACLE ASSEMBLY, MOD IV, DOUBLE ROW, DUAL ENTRY, .100X.100CL, VERTICAL MOUNT, AMPMODU			
CHK	J. JOLSON	06NOV02				
APVD	J. JOLSON	06NOV02				
NAME	108-25022					
PRODUCT SPEC	114-25018		SIZE	CAGE CODE	DRAWING NO	RESTRICTED TO
APPLICATION SPEC	114-25018		A1	00779	534998	-
MATERIAL	FINISH	WEIGHT	CUSTOMER DRAWING		SCALE	SHEET
		-			4:1	2 OF 2

X-ON Electronics

Largest Supplier of Electrical and Electronic Components

Click to view similar products for [Headers & Wire Housings](#) category:

Click to view products by [TE Connectivity](#) manufacturer:

Other Similar products are found below :

[892-18-020-10-001101](#) [58102-G61-06LF](#) [582553-1](#) [0009485154](#) [009176003701906](#) [0050291907](#) [LY20-4P-DT1-P1E-BR](#) [02.125.8002.8](#)
[609-3404](#) [61062-3](#) [61082-181009](#) [622-3653LF](#) [63453-116](#) [636-1030](#) [636-1427](#) [636-3427](#) [636-4007](#) [641938-9](#) [641991-4](#) [644827-2](#) [65817-010LF](#) [65817-015LF](#) [65863-015LF](#) [66207-023LF](#) [67095-007LF](#) [67601157](#) [68645-018](#) [68648-049](#) [70.362.1628.0](#) [70-4210](#) [70-4226B](#) [70-4853B](#) [707-5020](#) [707-5028](#) [71.350.2428.0](#) [71918-208LF](#) [71961-016LF](#) [733-134](#) [733-162](#) [754199-000](#) [760-3052](#) [787-8014-00](#) [79531-3000](#)
[FCN-360C032-B](#) [FCN-367T-T012/H](#) [FCN-723D010/2](#) [80.063.4001.1](#) [800-90-001-10-001000](#) [800-90-010-10-002000](#) [801-43-002-10-013000](#)