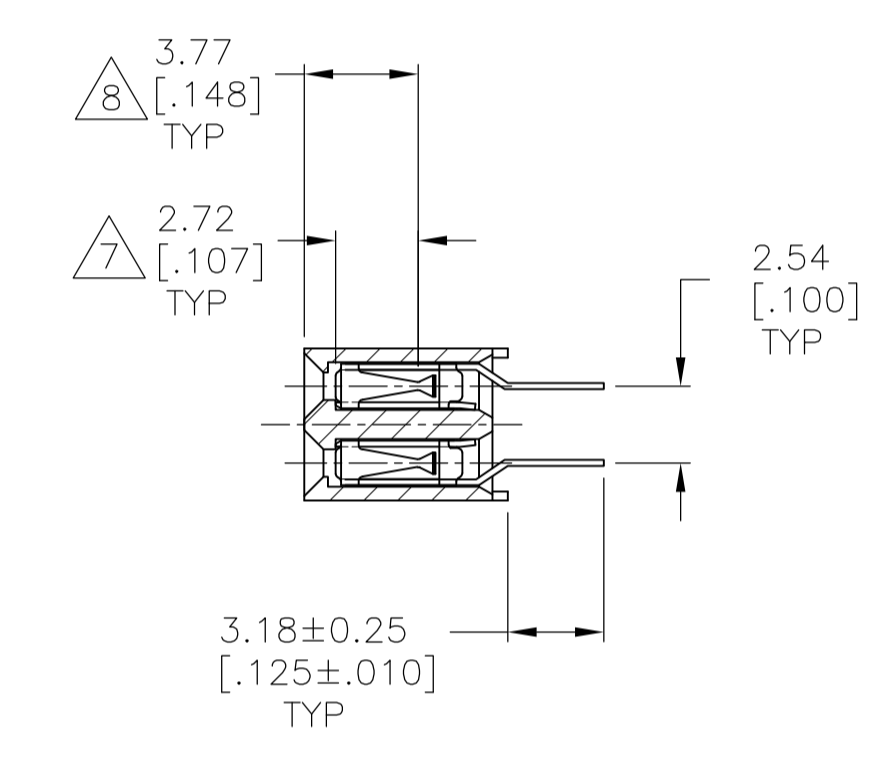


SEE SHEET 2
FOR P/N'S -51 THRU -90



△2	88.90 [3.500]	91.44 [3.600]	72	3-534998-6
△2	86.36 [3.400]	88.90 [3.500]	70	3-534998-5
△2	83.82 [3.300]	86.36 [3.400]	68	3-534998-4
△2	81.28 [3.200]	83.82 [3.300]	66	3-534998-3
△2	78.74 [3.100]	81.28 [3.200]	64	3-534998-2
△2	76.20 [3.000]	78.74 [3.100]	62	3-534998-1
△2	73.66 [2.900]	76.20 [3.000]	60	3-534998-0
△2	71.12 [2.800]	73.66 [2.900]	58	2-534998-9
△2	68.58 [2.700]	71.12 [2.800]	56	2-534998-8
△2	66.04 [2.600]	68.58 [2.700]	54	2-534998-7
△2	63.50 [2.500]	66.04 [2.600]	52	2-534998-6
△2	60.96 [2.400]	63.50 [2.500]	50	2-534998-5
△2	58.42 [2.300]	60.96 [2.400]	48	2-534998-4
△2	55.88 [2.200]	58.42 [2.300]	46	2-534998-3
△2	53.34 [2.100]	55.88 [2.200]	44	2-534998-2
△2	50.80 [2.000]	53.34 [2.100]	42	2-534998-1
△2	48.26 [1.900]	50.80 [2.000]	40	2-534998-0
△2	45.72 [1.800]	48.26 [1.900]	38	1-534998-9
△2	43.18 [1.700]	45.72 [1.800]	36	1-534998-8
△2	40.64 [1.600]	43.18 [1.700]	34	1-534998-7
△2	38.10 [1.500]	40.64 [1.600]	32	1-534998-6
△2	35.56 [1.400]	38.10 [1.500]	30	1-534998-5
△2	33.02 [1.300]	35.56 [1.400]	28	1-534998-4
△2	30.48 [1.200]	33.02 [1.300]	26	1-534998-3
△2	27.94 [1.100]	30.48 [1.200]	24	1-534998-2
△2	25.40 [1.000]	27.94 [1.100]	22	1-534998-1
△2	22.86 [0.900]	25.40 [1.000]	20	1-534998-0
△2	20.32 [0.800]	22.86 [0.900]	18	534998-9
△2	17.78 [0.700]	20.32 [0.800]	16	534998-8
△2	15.24 [0.600]	17.78 [0.700]	14	534998-7
△2	12.70 [0.500]	15.24 [0.600]	12	534998-6
△2	10.16 [0.400]	12.70 [0.500]	10	534998-5
△2	7.62 [0.300]	10.16 [0.400]	8	534998-4
△2	5.08 [0.200]	7.62 [0.300]	6	534998-3
△2	2.54 [0.100]	5.08 [0.200]	4	534998-2
△2	-	2.54 [0.100]	2	△6 534998-1

△2	SUPERCEDED BY 9-534998-0	99.06 [3.900]	101.60 [4.000]	80	4-534998-0
△2		96.52 [3.800]	99.06 [3.900]	78	3-534998-9
△2		93.98 [3.700]	96.52 [3.800]	76	3-534998-8
△2		91.44 [3.600]	93.98 [3.700]	74	3-534998-7
		B	A	NO OF POSN	PART NUMBER

- △1 HOUSING: FLAME RETARDANT, GLASS FILLED, THERMOPLASTIC, COLOR: BLACK. CONTACT: PHOSPHOR BRONZE
- △2 CONTACT: DUPLEX PLATED 0.76µm[.000030] GOLD IN CONTACT AREA, 3.81-7.62µm[.000150-.000300] BRIGHT TIN-LEAD ON LEADS, ALL OVER 1.27µm[.000050] NICKEL
- △3 THESE DIMENSIONS PERTAIN TO CAVITY CENTERLINES ONLY - NOT TO CONTACT LOCATIONS
- △4 PART NUMBER AND DATE CODE ARE MARKED IN APPROXIMATE LOCATION SHOWN, EITHER SIDE.
- △5 TOLERANCE IS NON-CUMULATIVE.
- △6 2 POSITION DATE CODE IS MARKED OPPOSITE SIDE OF TE CONNECTIVITY LOGO.
- △7 POINT-OF-MEASUREMENT DIMENSION FOR PLATING THICKNESS (INSIDE CONTACT BEAM).
- △8 POINT-OF-CONTACT DIMENSION.
- △9 TE CONNECTIVITY TRADEMARK AND CSA LOGO ARE MOLDED INTO HOUSING, THIS LOCATION.
- △10 NO PART NUMBER MARKING REQUIRED FOR THIS PART.
- △11 CONTACT: DUPLEX PLATED 0.76µm[.000030] GOLD IN CONTACT AREA, 3.81-7.62µm[.000150-.000300] MATTE TIN ON LEADS, ALL OVER 1.27µm[.000050] NICKEL
- △12 ROHS 2002/95/EC COMPLIANT

THIS DRAWING IS A CONTROLLED DOCUMENT.

DIMENSIONS: mm [INCHES]	TOLERANCES UNLESS OTHERWISE SPECIFIED:	DIN M. BINNER 06NOV02	APVD J. JOLSON 06NOV02	NAME
0 PLC ± -	1 PLC ± ± 0.13[.005]	CHK J. JOLSON 06NOV02	APVD J. JOLSON 06NOV02	RECEPTACLE ASSEMBLY, MOD IV, DOUBLE ROW, DUAL ENTRY, .100X.100CL, VERTICAL MOUNT, AMPMODU
2 PLC ± ±	3 PLC ± ±	APVD J. JOLSON 06NOV02	APVD J. JOLSON 06NOV02	PRODUCT SPEC 108-25022
4 PLC ± ±	ANGLES ± ±	APVD J. JOLSON 06NOV02	APVD J. JOLSON 06NOV02	APPLICATION SPEC 114-25018
MATERIAL	FINISH	WEIGHT	SIZE	CAGE CODE
△1	△2	-	A1	00779
CUSTOMER DRAWING		SCALE 4:1	SHEET 1 OF 2	REV P7

STE TE Connectivity

LOC		DIST		REVISIONS			
AD	00	REV	DATE	BY	APPV	DESCRIPTION	DATE
-	-	1	-	-	-	SEE SHEET 1	-

SYMBOL	B	A	NO OF POSN	PART NUMBER
	88.90 [3.500]	91.44 [3.600]	72	8-534998-6
	86.36 [3.400]	88.90 [3.500]	70	8-534998-5
	83.82 [3.300]	86.36 [3.400]	68	8-534998-4
	81.28 [3.200]	83.82 [3.300]	66	8-534998-3
	78.74 [3.100]	81.28 [3.200]	64	8-534998-2
	76.20 [3.000]	78.74 [3.100]	62	8-534998-1
	73.66 [2.900]	76.20 [3.000]	60	8-534998-0
	71.12 [2.800]	73.66 [2.900]	58	7-534998-9
	68.58 [2.700]	71.12 [2.800]	56	7-534998-8
	66.04 [2.600]	68.58 [2.700]	54	7-534998-7
	63.50 [2.500]	66.04 [2.600]	52	7-534998-6
	60.96 [2.400]	63.50 [2.500]	50	7-534998-5
	58.42 [2.300]	60.96 [2.400]	48	7-534998-4
	55.88 [2.200]	58.42 [2.300]	46	7-534998-3
	53.34 [2.100]	55.88 [2.200]	44	7-534998-2
	50.80 [2.000]	53.34 [2.100]	42	7-534998-1
	48.26 [1.900]	50.80 [2.000]	40	7-534998-0
	45.72 [1.800]	48.26 [1.900]	38	6-534998-9
	43.18 [1.700]	45.72 [1.800]	36	6-534998-8
	40.64 [1.600]	43.18 [1.700]	34	6-534998-7
	38.10 [1.500]	40.64 [1.600]	32	6-534998-6
	35.56 [1.400]	38.10 [1.500]	30	6-534998-5
	33.02 [1.300]	35.56 [1.400]	28	6-534998-4
	30.48 [1.200]	33.02 [1.300]	26	6-534998-3
	27.94 [1.100]	30.48 [1.200]	24	6-534998-2
	25.40 [1.000]	27.94 [1.100]	22	6-534998-1
	22.86 [.900]	25.40 [1.000]	20	6-534998-0
	20.32 [.800]	22.86 [.900]	18	5-534998-9
	17.78 [.700]	20.32 [.800]	16	5-534998-8
	15.24 [.600]	17.78 [.700]	14	5-534998-7
	12.70 [.500]	15.24 [.600]	12	5-534998-6
	10.16 [.400]	12.70 [.500]	10	5-534998-5
	7.62 [.300]	10.16 [.400]	8	5-534998-4
	5.08 [.200]	7.62 [.300]	6	5-534998-3
	2.54 [.100]	5.08 [.200]	4	5-534998-2
	-	2.54 [.100]	2	5-534998-1
SYMBOL	B	A	NO OF POSN	PART NUMBER

	99.06 [3.900]	101.60 [4.000]	80	9-534998-0
	96.52 [3.800]	99.06 [3.900]	78	8-534998-9
	93.98 [3.700]	96.52 [3.800]	76	8-534998-8
	91.44 [3.600]	93.98 [3.700]	74	8-534998-7
SYMBOL	B	A	NO OF POSN	PART NUMBER

THIS DRAWING IS A CONTROLLED DOCUMENT.

DIN	M. BINNER	06NOV02
CHK	J. JOLSON	06NOV02
APVD	J. JOLSON	06NOV02
NAME	RECEPTACLE ASSEMBLY, MOD IV, DOUBLE ROW, DUAL ENTRY, .100X.100CL, VERTICAL MOUNT, AMPMODU	
PRODUCT SPEC	108-25022	
APPLICATION SPEC	114-25018	
SIZE	CAGE CODE	DRAWING NO
A1	00779	534998
RESTRICTED TO	-	

MATERIAL: FINISH:

CUSTOMER DRAWING SCALE: 4:1 SHEET 2 OF 2 REV P7

X-ON Electronics

Largest Supplier of Electrical and Electronic Components

Click to view similar products for [Headers & Wire Housings](#) category:

Click to view products by [TE Connectivity](#) manufacturer:

Other Similar products are found below :

[892-18-020-10-001101](#) [58102-G61-06LF](#) [582553-1](#) [0009485154](#) [009176003701906](#) [0050291907](#) [LY20-4P-DT1-P1E-BR](#) [02.125.8002.8](#)
[609-3404](#) [61062-3](#) [61082-181009](#) [622-3653LF](#) [63453-116](#) [636-1030](#) [636-1427](#) [636-3427](#) [636-4007](#) [641938-9](#) [641991-4](#) [644827-2](#) [65817-010LF](#) [65817-015LF](#) [65863-015LF](#) [66207-023LF](#) [67095-007LF](#) [67601157](#) [68645-018](#) [68648-049](#) [70.362.1628.0](#) [70-4210](#) [70-4226B](#) [70-4853B](#) [707-5020](#) [707-5028](#) [71.350.2428.0](#) [71918-208LF](#) [71961-016LF](#) [733-134](#) [733-162](#) [754199-000](#) [760-3052](#) [787-8014-00](#) [79531-3000](#)
[FCN-360C032-B](#) [FCN-367T-T012/H](#) [FCN-723D010/2](#) [80.063.4001.1](#) [800-90-001-10-001000](#) [800-90-010-10-002000](#) [801-43-002-10-013000](#)