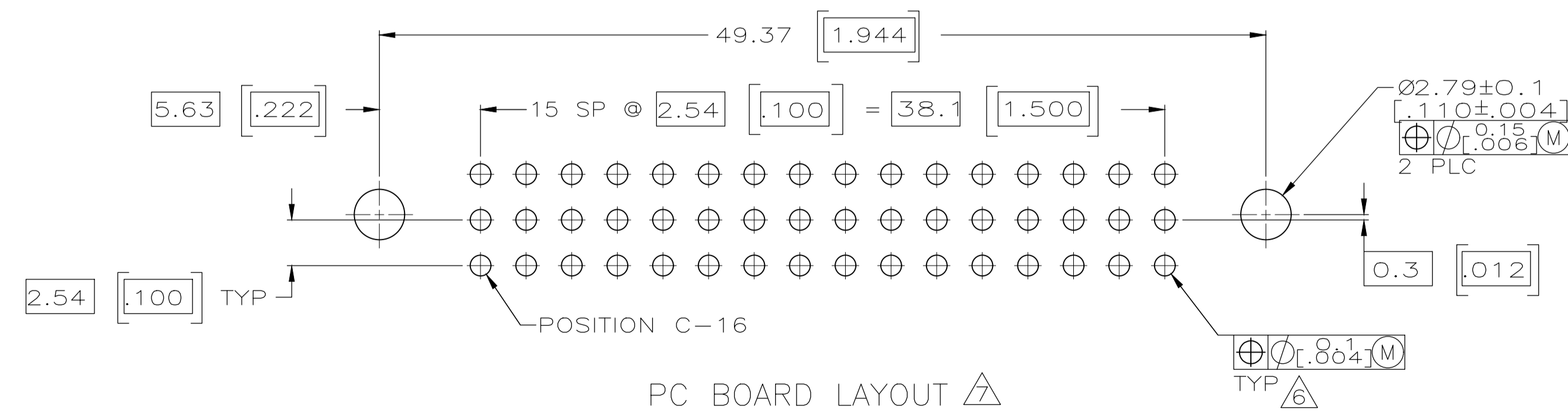
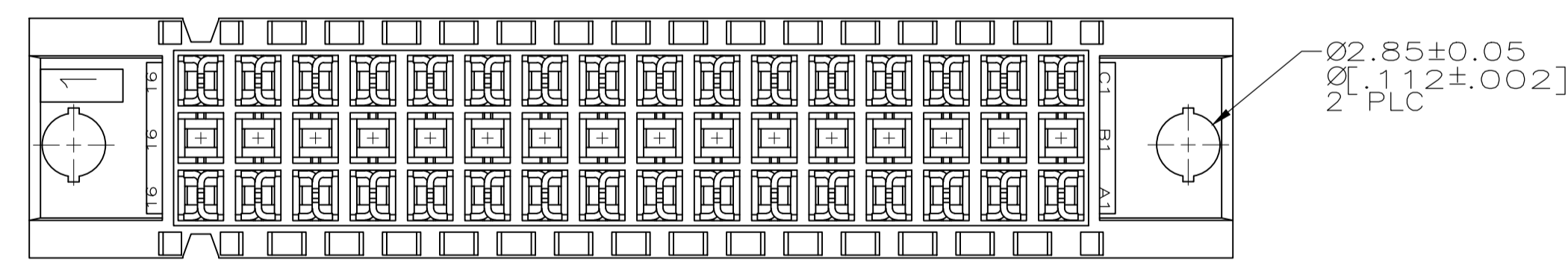
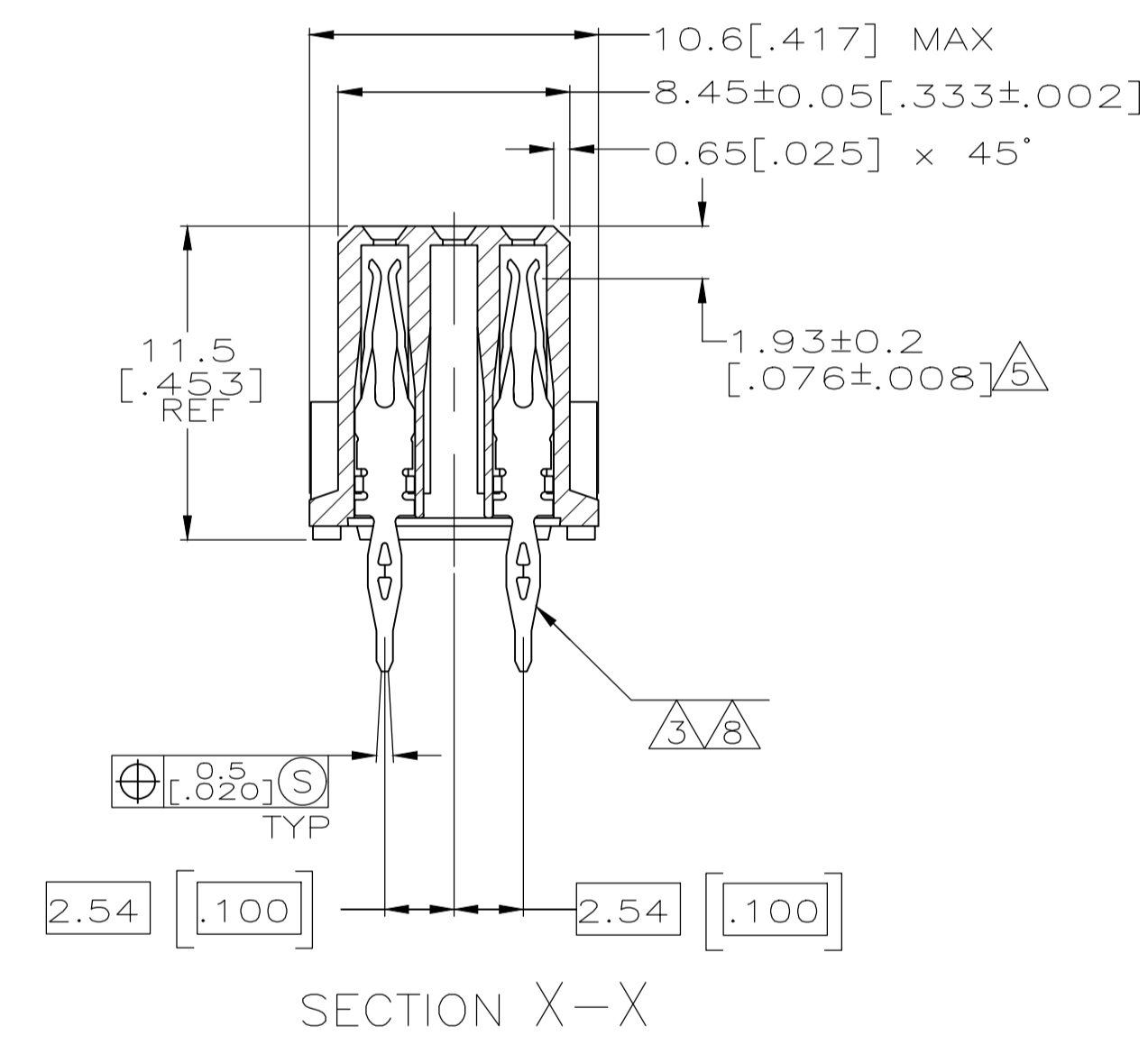
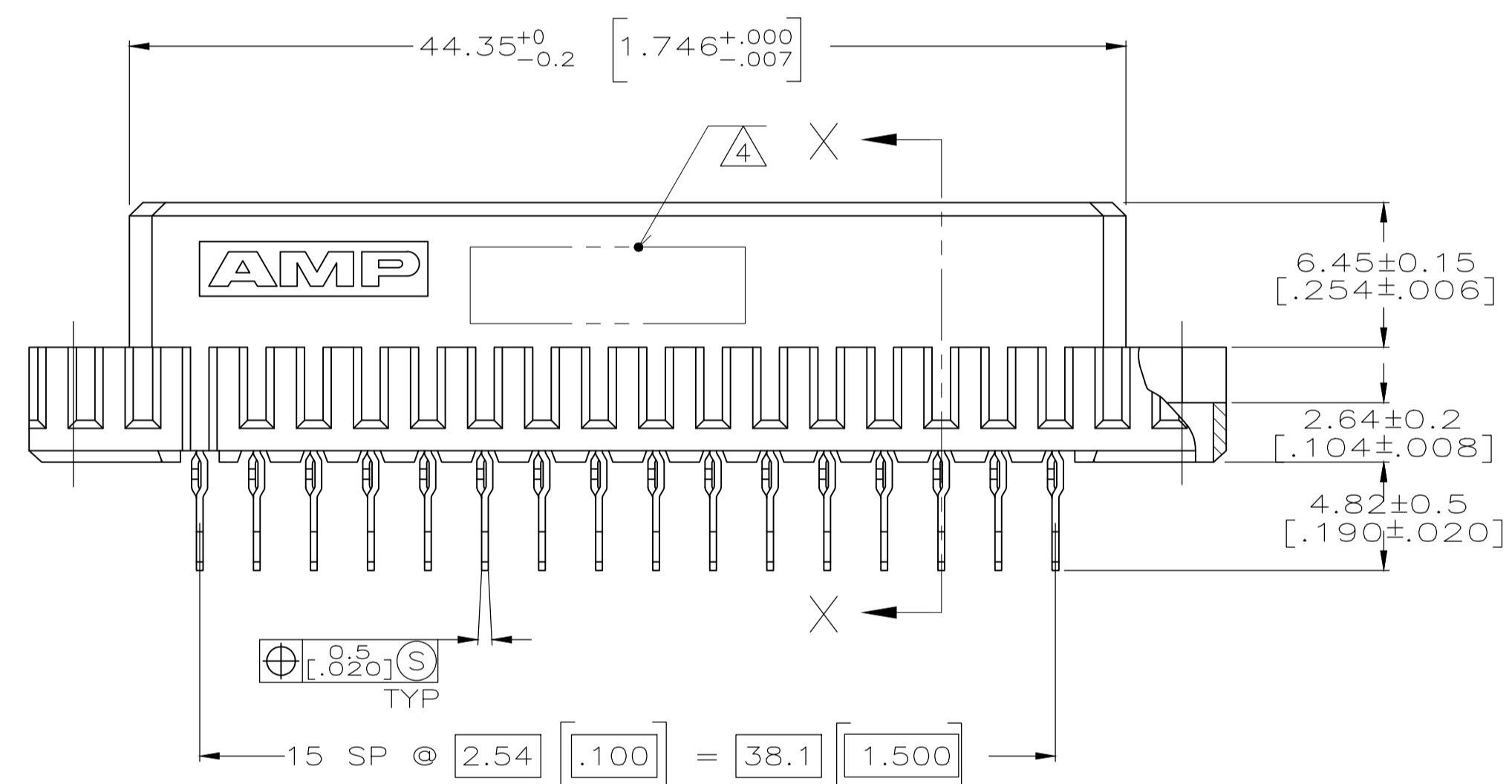
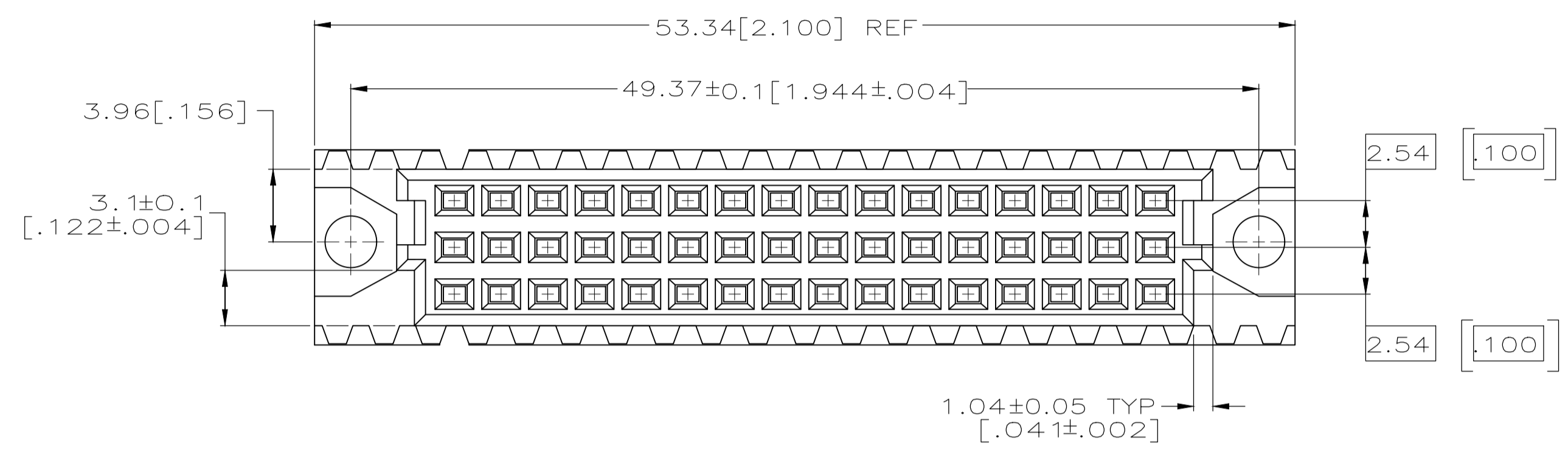


REVISIONS				
P	LTR	DESCRIPTION	DATE	APPV
M		REVISED PER ECO-20-002189	16MAR2020	SY HL

- △ HOUSING MATERIAL: GLASS-FILLED POLYESTER. COLOR: GRAY.
- △ CONTACT MATERIAL: PHOSPHOR BRONZE.
- △ CONTACT FINISH: DIN 41612 CLASS 2 IN CONTACT AREA.
0.00127[.000050] NICKEL UNDERPLATE ALL OVER. TIN-LEAD ON TAILS.
- △ PART NUMBER, DATE CODE IDENTIFICATION, CSA LOGO IN THIS APPROXIMATE AREA.
- △ POINT OF MEASUREMENT FOR GOLD.
- △ ACTION PIN POSTS REQUIRE 1.57[.062] MIN THICK PC BOARD.
RECOMMENDED PC BOARD HOLES ARE $\varnothing 1.151 \pm 0.02 [0.453 \pm 0.01]$ DRILLED HOLE
WITH 0.02-0.07[.001-.003] COPPER AND 0.008[.0003] MIN TIN-LEAD PLATING.
FINISHED HOLE AFTER PLATING, $\varnothing 0.94-1.09 [0.37-.043]$.
- △ CENTER ROW OF PLATED THRU HOLES NOT REQUIRED FOR THIS
CONNECTOR LOAD PATTERN.
- △ CONTACT FINISH: DIN 41612 CLASS 3 IN CONTACT AREA.
0.00127[.000050] NICKEL UNDERPLATE ALL OVER. TIN-LEAD ON TAILS.



OBSOLETE	△	POSITIONS LOADED	C	B	A	NO. OF LOADED POSITIONS	ASSY PART NUMBER
OBSOLETE	△ 8	1 THRU 16	X	-	X	32	535068-9
OBSOLETE	△ 3	1 THRU 16	X	-	X	32	535068-5
	△ 3	1 THRU 16	X	-	X	32	535068-4
NOTES		POSITIONS LOADED	C	B	A	NO. OF LOADED POSITIONS	ASSY PART NUMBER

THIS DRAWING IS A CONTROLLED DOCUMENT.		DIN	5/9/89	L. BRINER	
DIMENSIONS: mm [INCHES]		CHK	7/13/94	R.L. BRANDT	
TOLERANCES UNLESS OTHERWISE SPECIFIED:		APVD		NAME	
0 PLC	± -	PRODUCT SPEC			
1 PLC	± -	APPLICATION SPEC			
2 PLC	± -	SIZE			
3 PLC	± 0.13[.005]	CAGE CODE			
4 PLC	± -	DRAWING NO			
ANGLES	± -	RESTRICTED TO			
MATERIAL	FINISH	WEIGHT	0.000000	A1	00779C=535068
CUSTOMER DRAWING		SCALE	4:1	SHEET	1 OF 1

X-ON Electronics

Largest Supplier of Electrical and Electronic Components

Click to view similar products for [DIN 41612 Connectors](#) category:

Click to view products by [TE Connectivity](#) manufacturer:

Other Similar products are found below :

[004.767](#) [608489050008049](#) [691327-1](#) [74670-0732](#) [74680-0340](#) [75880-0015](#) [76453-0014](#) [86093159ALF](#) [9732967801](#) [QLC260R](#)
[120X10019X](#) [120X10089X](#) [122A10249X](#) [122A11089X](#) [122A13089X](#) [122A10089X](#) [122A10129X](#) [122A10349X](#) [122A13359X](#) [1377391-4](#)
[DIN-048CPC-SR1-MH](#) [1393583-2](#) [1393726-7](#) [140X10129X](#) [143-1913-000](#) [143-1908-000](#) [1484472-1](#) [2110070-1](#) [2110070-2](#) [CBC20T00-](#)
[008FDS5-0-1-002VR](#) [172699-5036](#) [2-1393557-4](#) [2-1437084-2](#) [394506](#) [419-2080-402](#) [419-2085-302](#) [V42254B2202C968](#) [419-2086-201](#) [419-](#)
[2087-002](#) [448657-1](#) [448847-3](#) [5-1393755-9](#) [02990000004](#) [033020](#) [054302](#) [043556](#) [0760557108](#) [09062483201750](#) [0850033067](#)
[09031646555](#)