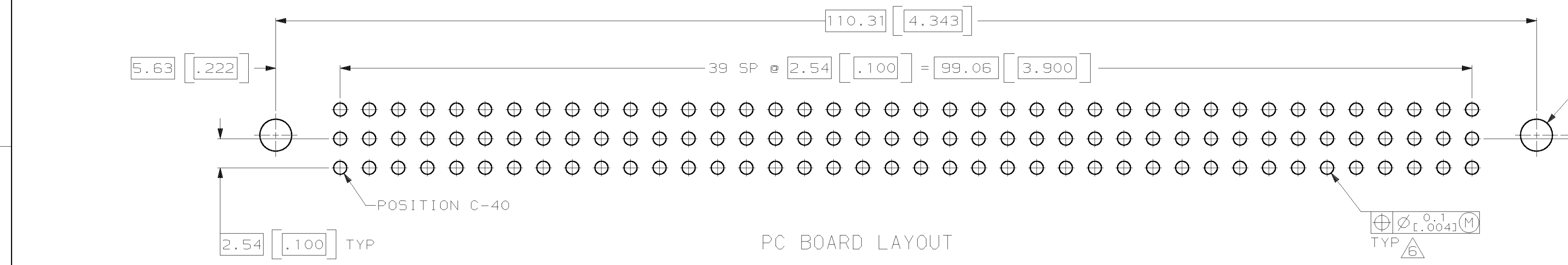
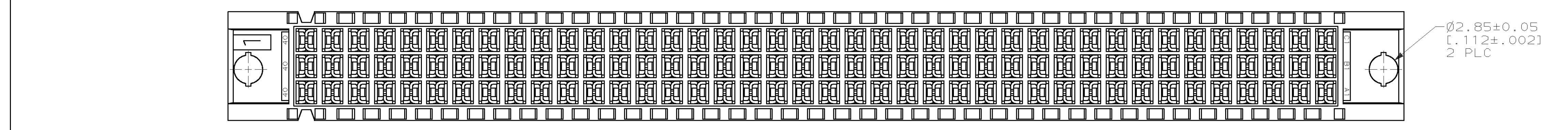
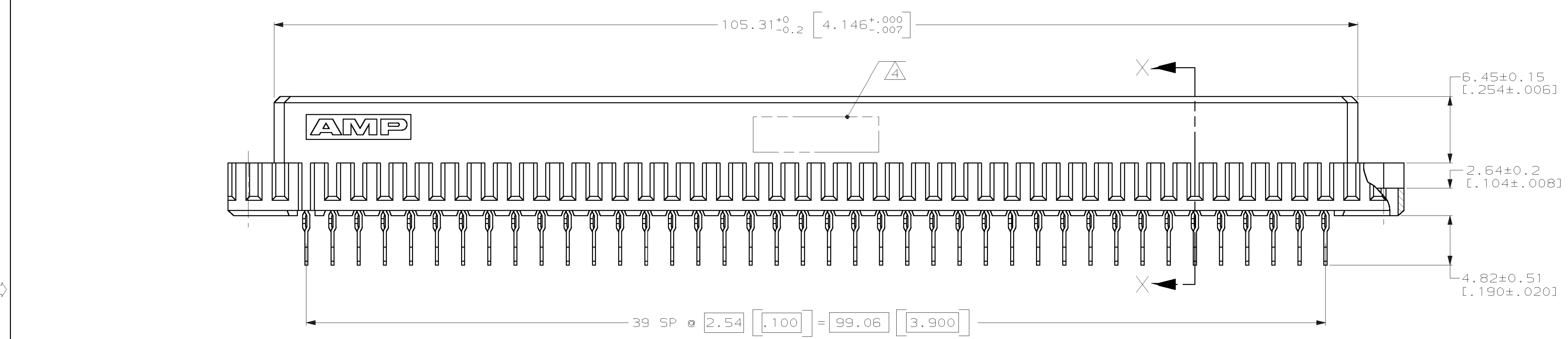
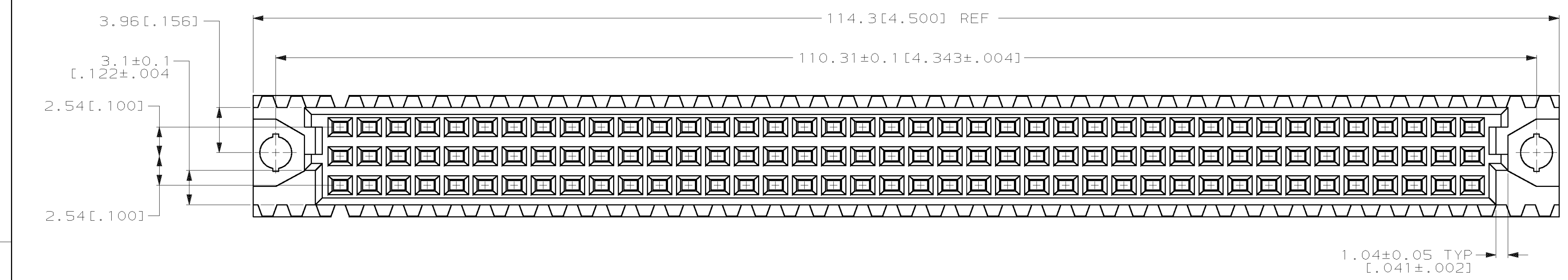
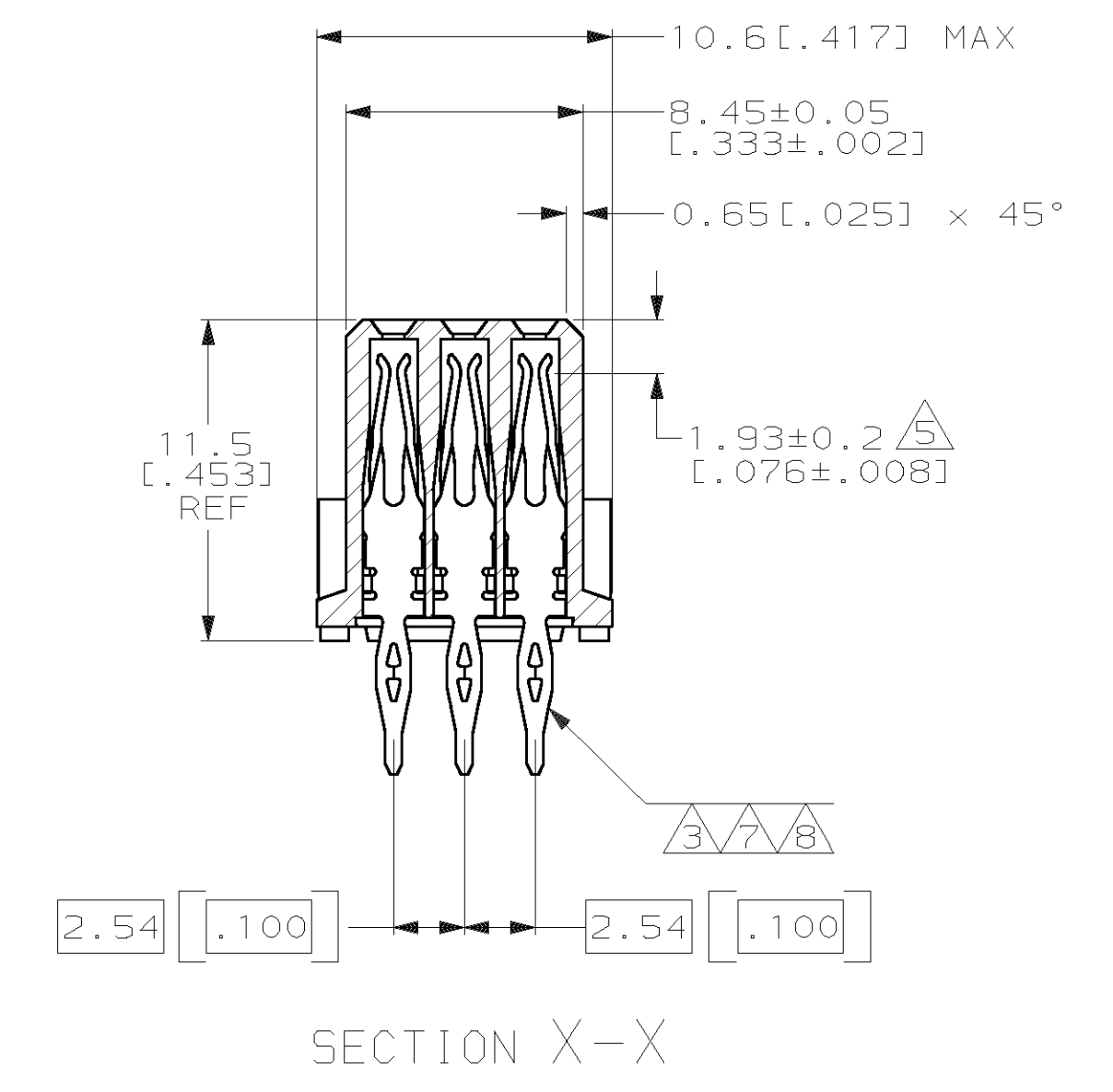


| LOC | DIST | P | F | ZONE | LTR | DESCRIPTION             | DATE      | APPD |
|-----|------|---|---|------|-----|-------------------------|-----------|------|
| AD  | 25   |   |   |      |     | REVISIONS               |           |      |
|     |      |   |   |      | E   | EC 0010-1434-95         | 1/18/96   | RAP  |
|     |      |   |   |      | F   | EC 0010-1486-95         | 4/1/96    | CR   |
|     |      |   |   |      | G   | REV PER EC OUTB-0367-00 | 04 JAN 01 | CR   |



- △1 HOUSING MATERIAL: GLASS-FILLED POLYESTER. COLOR: GRAY.
- △2 CONTACT MATERIAL: PHOSPHOR BRONZE.
- △3 CONTACT FINISH: 0.00076[.000030] GOLD IN CONTACT AREA. 0.00127[.000050] NICKEL UNDERPLATE ALL OVER. TIN-LEAD ON POSTS.
- △4 PART NUMBER, DATE CODE IDENTIFICATION, CSA LOGO IN THIS APPROXIMATE AREA.
- △5 POINT OF MEASUREMENT FOR GOLD.
- △6 ACTION PIN POSTS REQUIRE 1.57[.062] MIN THICK PC BOARD. RECOMMENDED PC BOARD HOLES ARE Ø1.151±0.02[.0453±.001] DRILLED HOLE WITH 0.02-0.07[.001-.003] COPPER AND 0.008[.0003] MIN TIN-LEAD PLATING. FINISHED HOLE AFTER PLATING, Ø0.94-1.09[.037-.043].
- △7 CONTACT FINISH: DIN 41612 CLASS 3 IN CONTACT AREA. 0.00127[.000050] NICKEL UNDERPLATE ALL OVER. TIN-LEAD ON TAILS.
- △8 CONTACT FINISH: DIN 41612 CLASS 2 IN CONTACT AREA. 0.00127[.000050] NICKEL UNDERPLATE ALL OVER. TIN-LEAD ON TAILS.



| NOTES                  | POSITIONS LOADED | C | B | A | NO. OF LOADED POSITION | ASSY PART NUMBER |
|------------------------|------------------|---|---|---|------------------------|------------------|
| OBSELETE               | 1 THRU 40        | X | X | X | 120                    | 535079-9         |
|                        | 1 THRU 40        | X | X | X | 120                    | 535079-5         |
| SUPERSEDED BY 535079-5 | 1 THRU 40        | X | X | X | 120                    | 535079-4         |

|   |                       |  |
|---|-----------------------|--|
| DO NOT SCALE PRINT. UNLESS SPECIFIED DIMENSIONS IN mm [INCHES] TOLERANCES ON: | DR L. BRINER 5/11/89  | <b>AMP</b>   AMP INCORPORATED<br>Harrisburg, Pa. 17105               |
| 1 PLC DEC ± -   | CHK J. BROWN 6/26/89  |  |
| 2 PLC DEC ± 0.13[.005]  | APPD J. BROWN 6/26/89 |  |
| ANGLES ± -  | APPD J. BROWN 6/26/89 |  |
| MATERIAL HSG △  | APPD J. BROWN 6/26/89 | NAME ASSEMBLY, RECEPTACLE, EUROCARD, TOOLLESS PRESSFIT, 120 POSITION |
| CONT △  | PRODUCT SPEC -        |  |
| FINISH CONT △△△   | APPLICATION SPEC -    | SIZE D   |
|   | WEIGHT -              | FSCM NO 00779  |
|   |                       | DRAWING NO 535079  |
|   |                       | SCALE 4:1  |
|   |                       | SHEET 1 OF 1   |

## X-ON Electronics

Largest Supplier of Electrical and Electronic Components

*Click to view similar products for [DIN 41612 Connectors](#) category:*

*Click to view products by [TE Connectivity](#) manufacturer:*

Other Similar products are found below :

[004.767](#) [608489050008049](#) [691327-1](#) [74670-0732](#) [74680-0340](#) [75880-0015](#) [76453-0014](#) [86093159ALF](#) [9732967801](#) [QLC260R](#)  
[120X10019X](#) [120X10089X](#) [122A10249X](#) [122A11089X](#) [122A13089X](#) [122A10089X](#) [122A10129X](#) [122A10349X](#) [122A13359X](#) [1377391-4](#)  
[DIN-048CPC-SR1-MH](#) [1393583-2](#) [1393726-7](#) [140X10129X](#) [143-1913-000](#) [143-1908-000](#) [1484472-1](#) [2110070-1](#) [2110070-2](#) [CBC20T00-](#)  
[008FDS5-0-1-002VR](#) [172699-5036](#) [2-1393557-4](#) [2-1437084-2](#) [394506](#) [419-2080-402](#) [V42254B2202C968](#) [419-2086-201](#) [419-2087-002](#)  
[448657-1](#) [448847-3](#) [5-1393755-9](#) [02990000004](#) [054302](#) [043556](#) [09062483201750](#) [0850033067](#) [09031646555](#) [09061486901840](#)  
[09185107324800](#) [102A10019X](#)