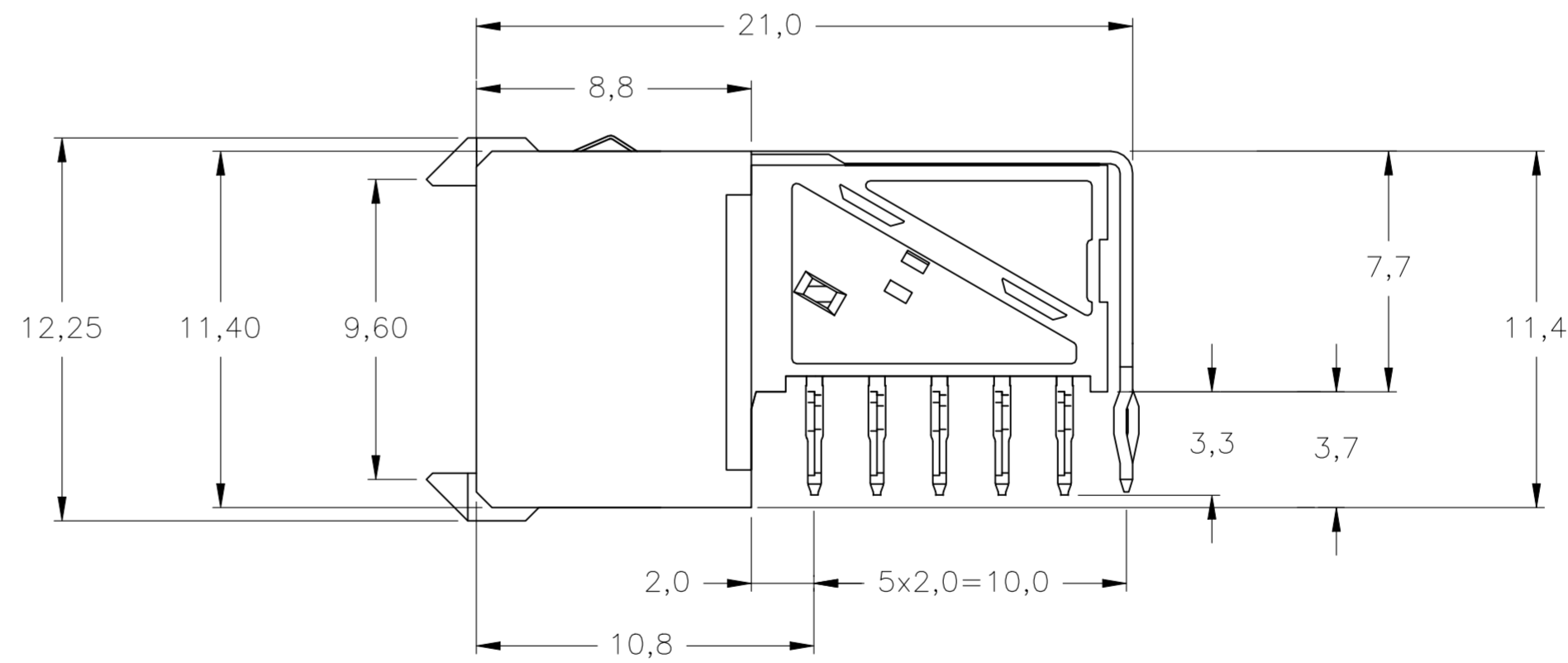
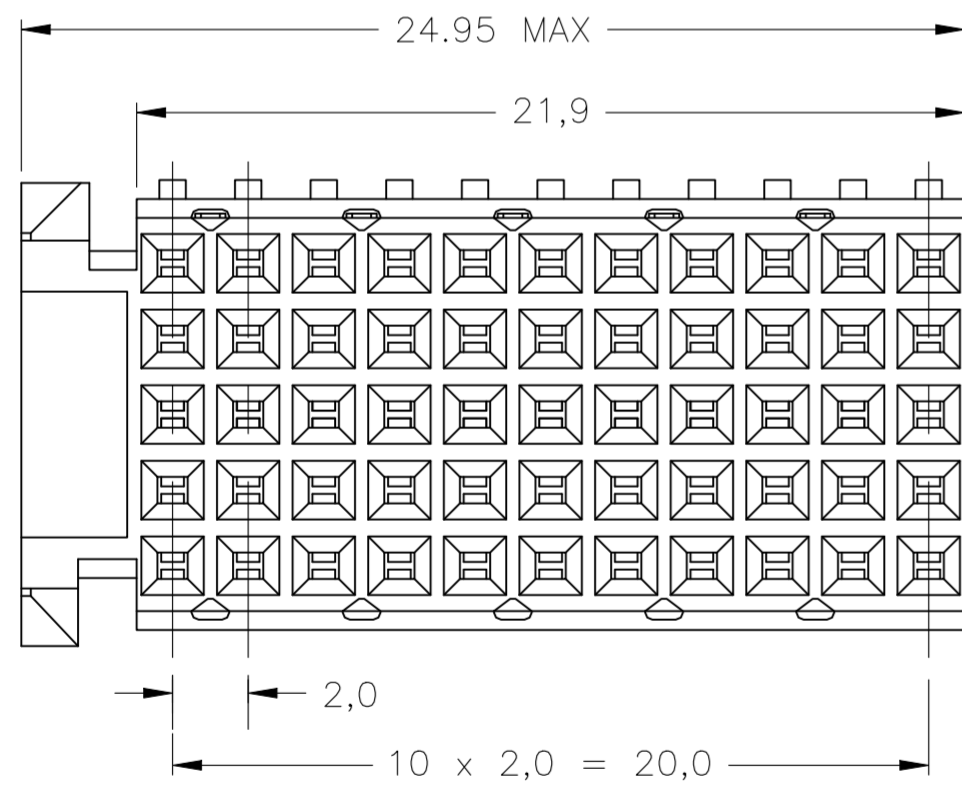
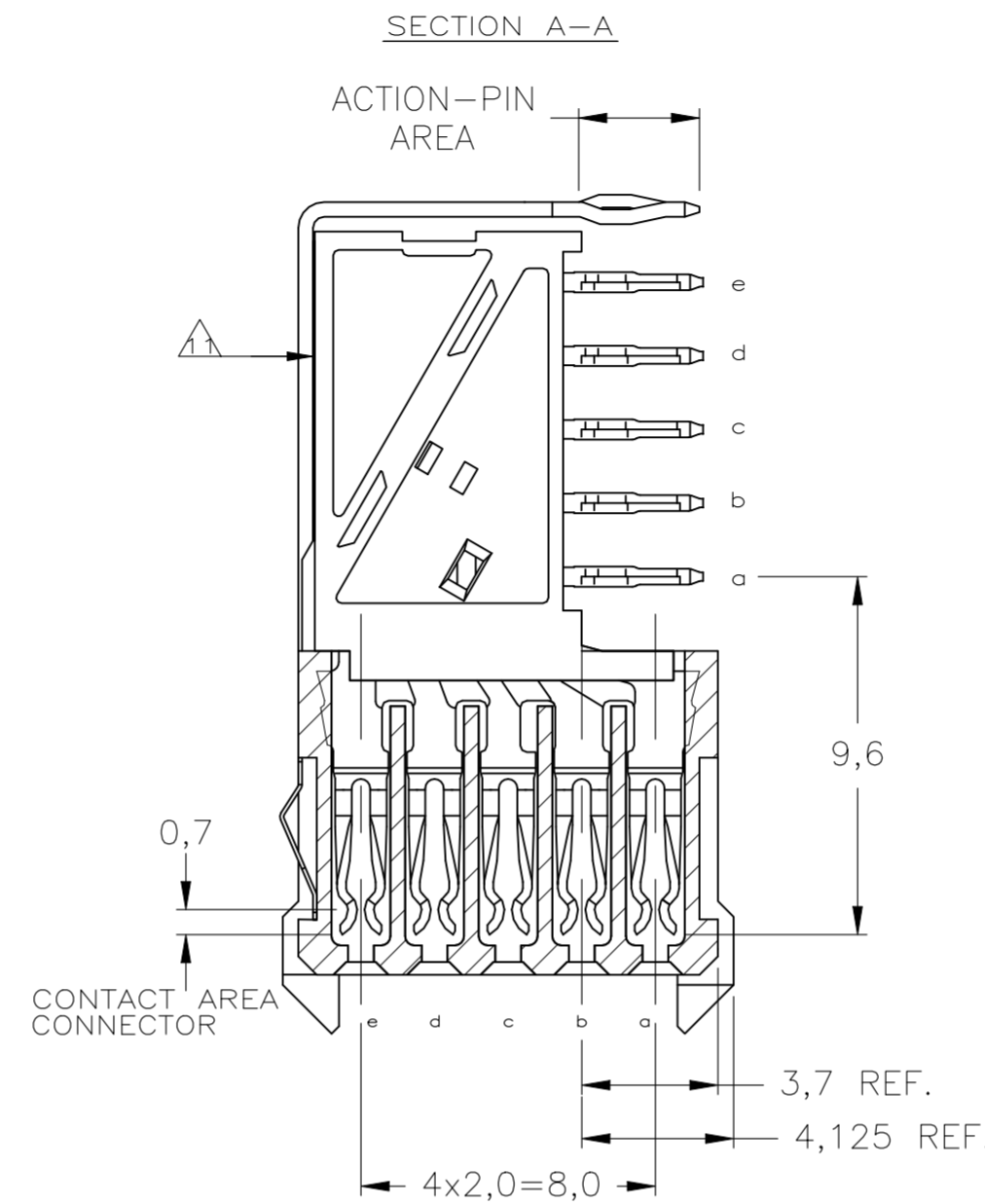
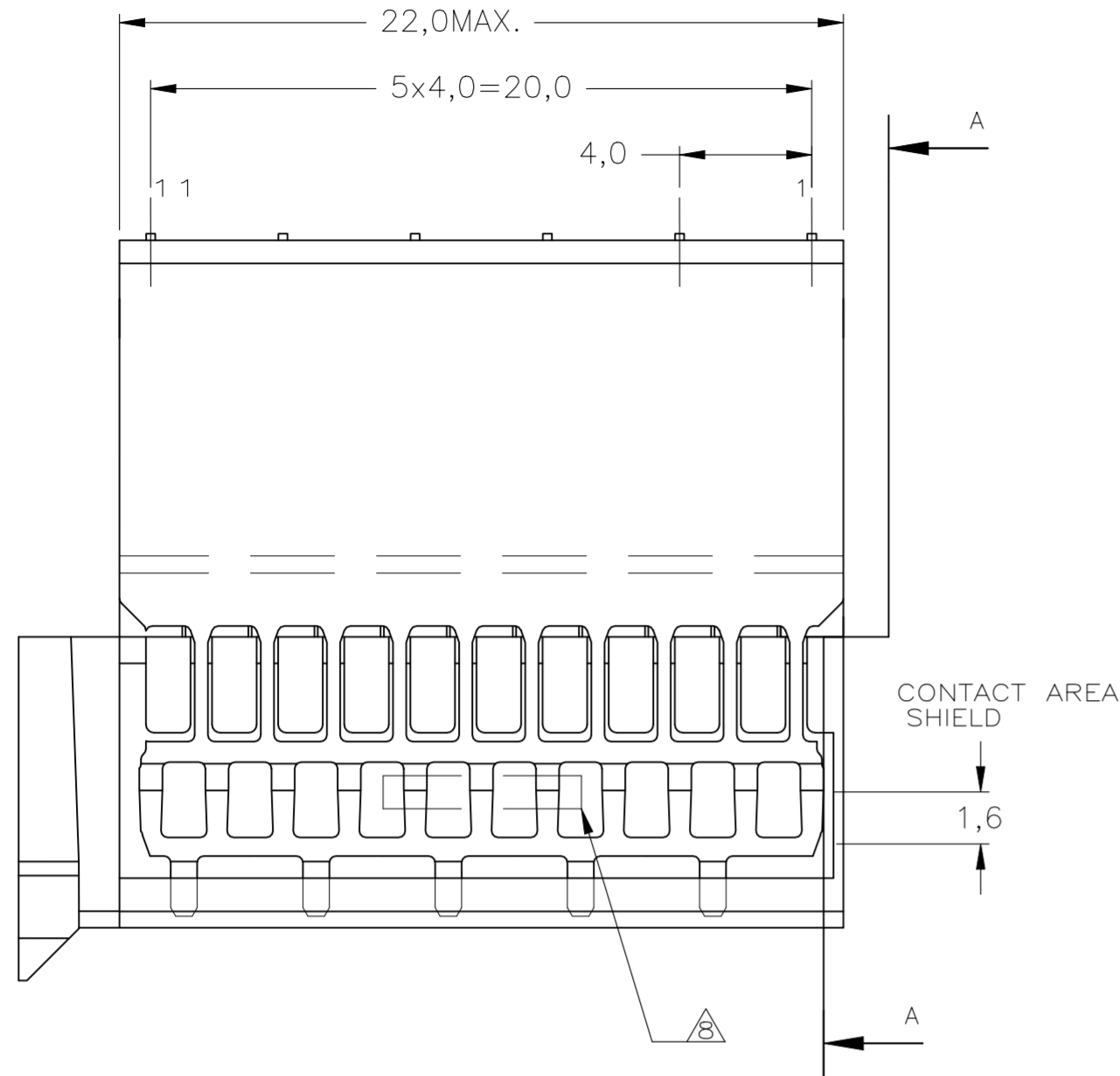


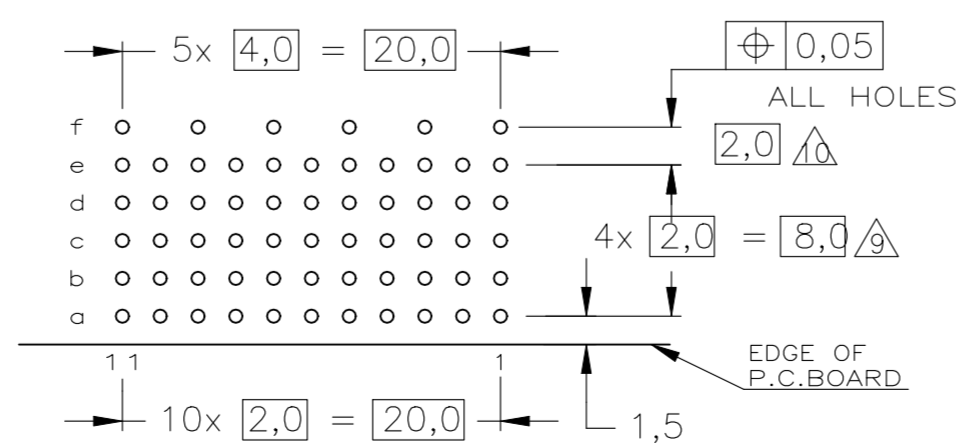
REVISIONS					
P	LTR	DESCRIPTION	DATE	DWN	APVD
J		ECO-21-007936	13AUG2021	TL	HL

NOTES:

- ⚠ MATERIAL CONTACTS; PHOSPHORBRONZE
MATERIAL SHIELD ; PHOSPHORBRONZE
MATERIAL HOUSING; GLASSFILLED POLYESTER (GRAY)
- ⚠ GENERAL PLATING SPECIFICATION: UNDERPLATING (ENTIRE CONTACT):
1,27µm NICKEL MIN. AND ACTION PIN: 0,5µm TIN MIN.
FOR PLATING OF MATING SURFACES SEE APPLICABLE SPECIFICATION REFERENCE FOR EACH DASH NUMBER.
- ⚠ CONFORMS TO ALL TESTING ACCORDING IEC 61076-4-101 PERFORMANCE LEVEL 2.
- ⚠ CONFORMS TO ALL TESTING ACCORDING IEC 61076-4-101 PERFORMANCE LEVEL 1.
- ⚠ CONNECTOR TESTED AND QUALIFIED AGAINST TELCORDIA GR-1217-CORE QUALITY LEVEL III, CENTRAL OFFICE APPLICATIONS.
- ⚠ CONNECTOR LUBRICATED WITH TELCORDIA GR-1217-CORE APPROVED LUBRICANT.
- ⚠ ASSEMBLY PRINTED WITH P/N AND DATECODE
THE MARKING CAN APPEAR ON THE FRONT SIDE OR BACK SIDE.
- ⚠ HOLE PATTERN FOR FEMALE CONNECTOR TYPE C
55 PLATED-THROUGH HOLES AT 2x2mm SQUARE GRID
ROW "r" 6 PLATED THROUGH HOLES FOR UPERSHIELD
- ⚠ SHIELD MOUNTED ON CONNECTOR WITH DOUBLE SIDED ADHESIVE TAPE OR ADHESIVE
- 12 FITS WITH LOWERSHIELD, BASIC PARTNUMBER : 5352112.
- ⚠ 0.76µm MIN Au PLATING AT MATING SURFACES.



COMPONENT SIDE AS SHOWN RECOMMENDED PCB-HOLE LAY-OUT SCALE 2,5:1



P.C.B. HOLE DIM. ACTION PIN FOR DETAILS SEE APPLICATION SPECIFICATION

	⚠⚠⚠	⚠	3-5352115-0
OBSOLETE	⚠⚠⚠	⚠	5352115-9
OBSOLETE	⚠⚠	⚠	5352115-4
	⚠⚠	⚠	5352115-1
	FINISH	MATERIAL	PARTNUMBER

THIS DRAWING IS A CONTROLLED DOCUMENT.		DWN	19AUG2004	K.N.KIRAN	
DIMENSIONS: mm		CHK	24SEP2004	B.MOOIJ	
TOLERANCES UNLESS OTHERWISE SPECIFIED:		APVD	24SEP2004	B.MOOIJ	
0-PLC ±		NAME			
1-PLC ±		108-19082			
2-PLC ±		APPLICATION SPEC			
3-PLC ±		114-19029			
4-PLC ±		WEIGHT 0.000000			
ANGLES ±		CUSTOMER DRAWING			
FINISH		SCALE 5:1		SHEET 1 of 1	
MATERIAL		REV J		RESTRICTED TO	

TE Connectivity Ltd.

Z-PACK 2mm HM
TYPE C - 11 COLUMNS
PRE-SHIELDED RECEPTACLE

SIZE	CAGE CODE	DRAWING NO	RESTRICTED TO
A2	00779	C=5352115	-

X-ON Electronics

Largest Supplier of Electrical and Electronic Components

Click to view similar products for [Hard Metric Connectors](#) category:

Click to view products by [TE Connectivity](#) manufacturer:

Other Similar products are found below :

[6345127-1](#) [646916-9](#) [6469658-1](#) [973108](#) [1-2000713-0](#) [1-2000713-2](#) [1-2000713-3](#) [1645343-1](#) [1645456-1](#) [1645594-1](#) [1645595-1](#) [1645601-1](#)
[1934822-1](#) [278071110010833](#) [1645179-1](#) [1645245-1](#) [1645457-1](#) [1645525-1](#) [1645570-1](#) [1645596-1](#) [17041102202](#) [1857470-1](#) [1934275-1](#)
[1934289-1](#) [1934759-1](#) [2000673-1](#) [2170292-2](#) [2-536642-6](#) [3-106015-1](#) [352188-1](#) [352629-1](#) [5120823-1](#) [5120899-1](#) [3-100145-0](#) [3-100147-0](#)
[3-100669-1](#) [3-106081-0](#) [HM2DK2368PLF](#) [5646530-1](#) [3-352049-0](#) [3-352069-0](#) [3-352115-0](#) [3-352638-0](#) [352189-1](#) [3-646357-0](#) [3-646487-0](#)
[3-646513-0](#) [106726-1](#) [114352](#) [114619](#)