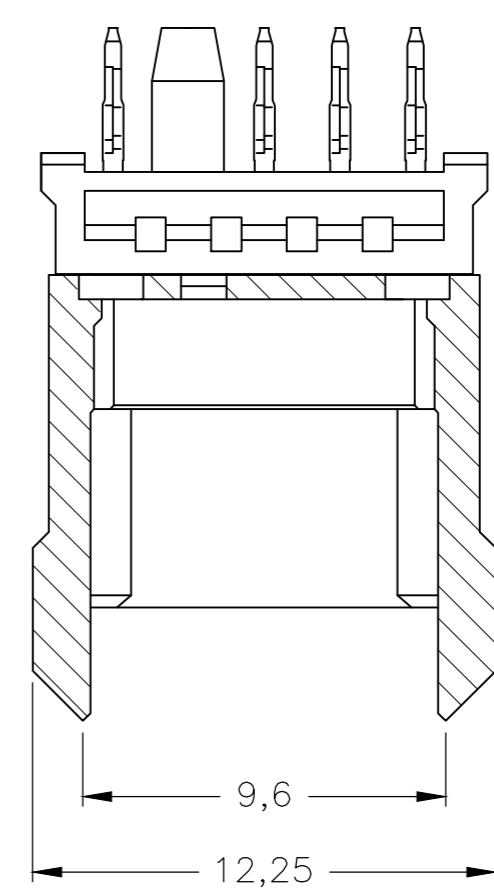
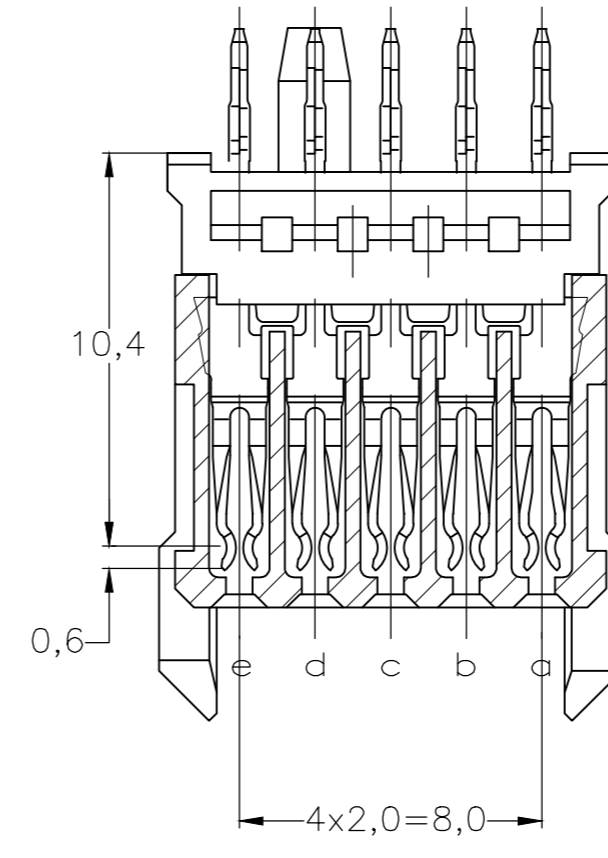
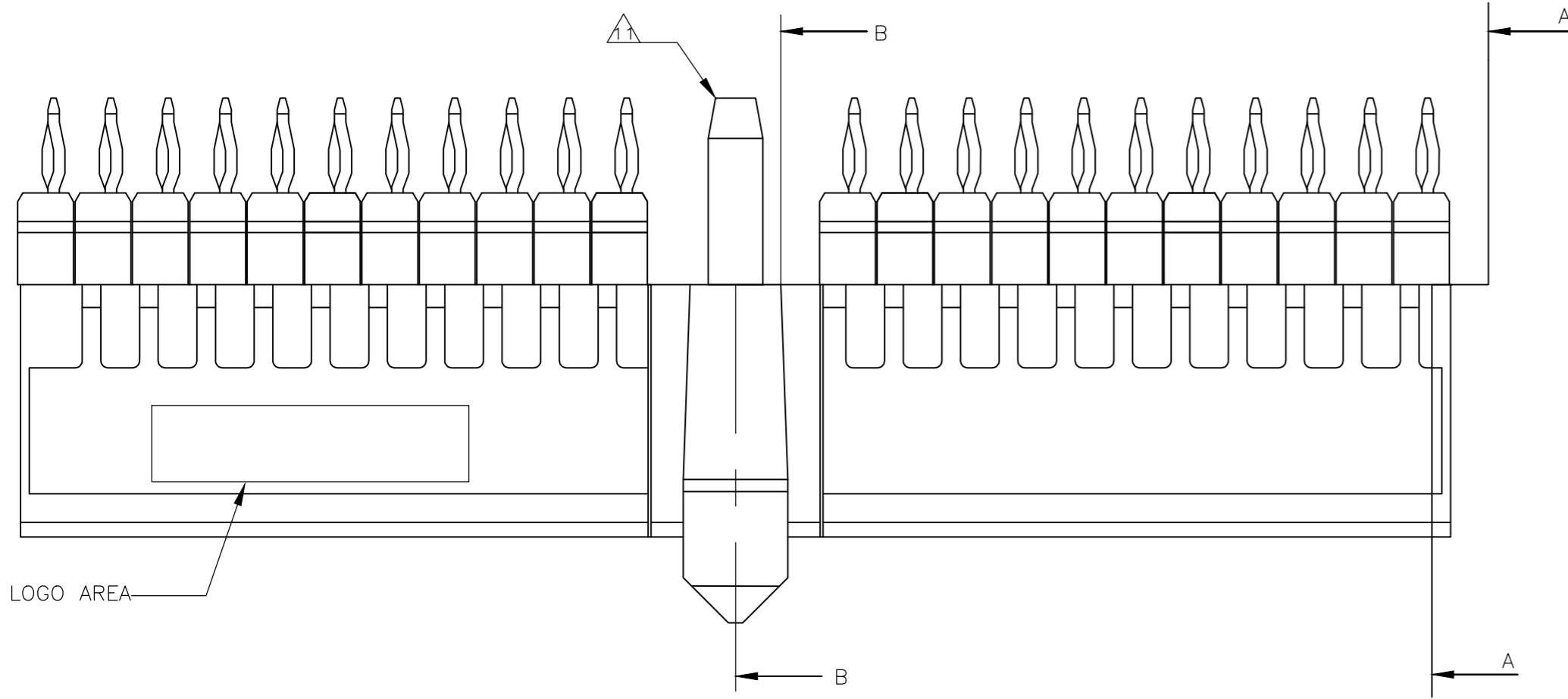


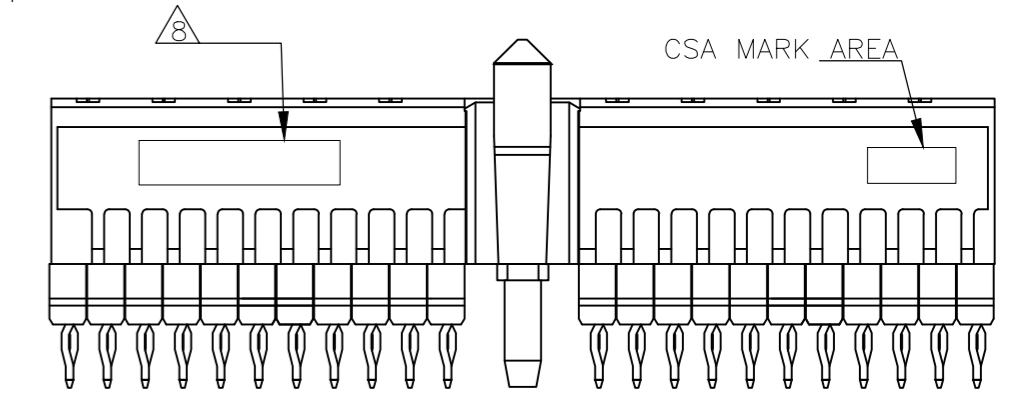
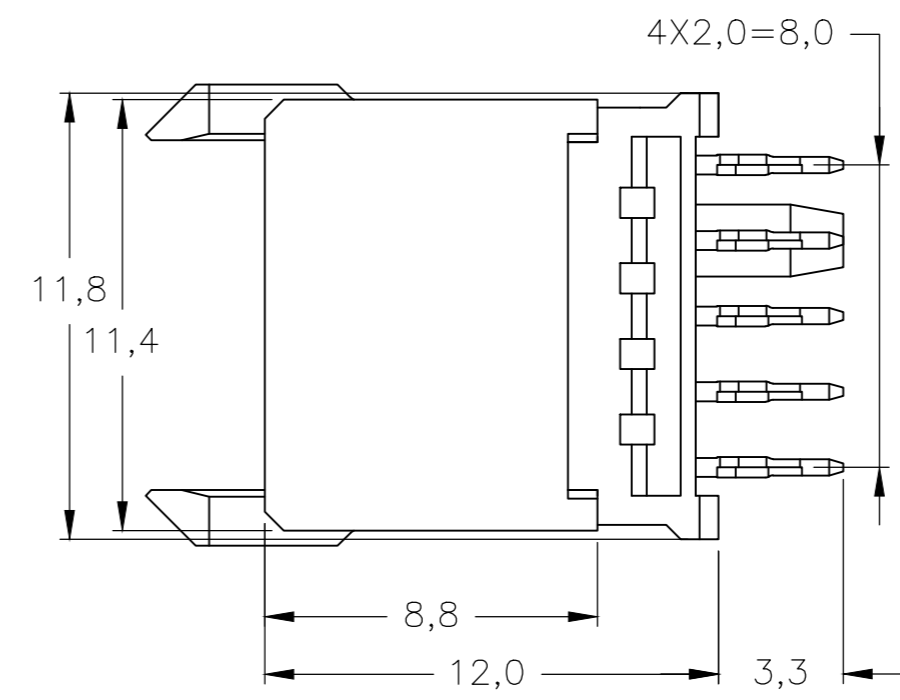
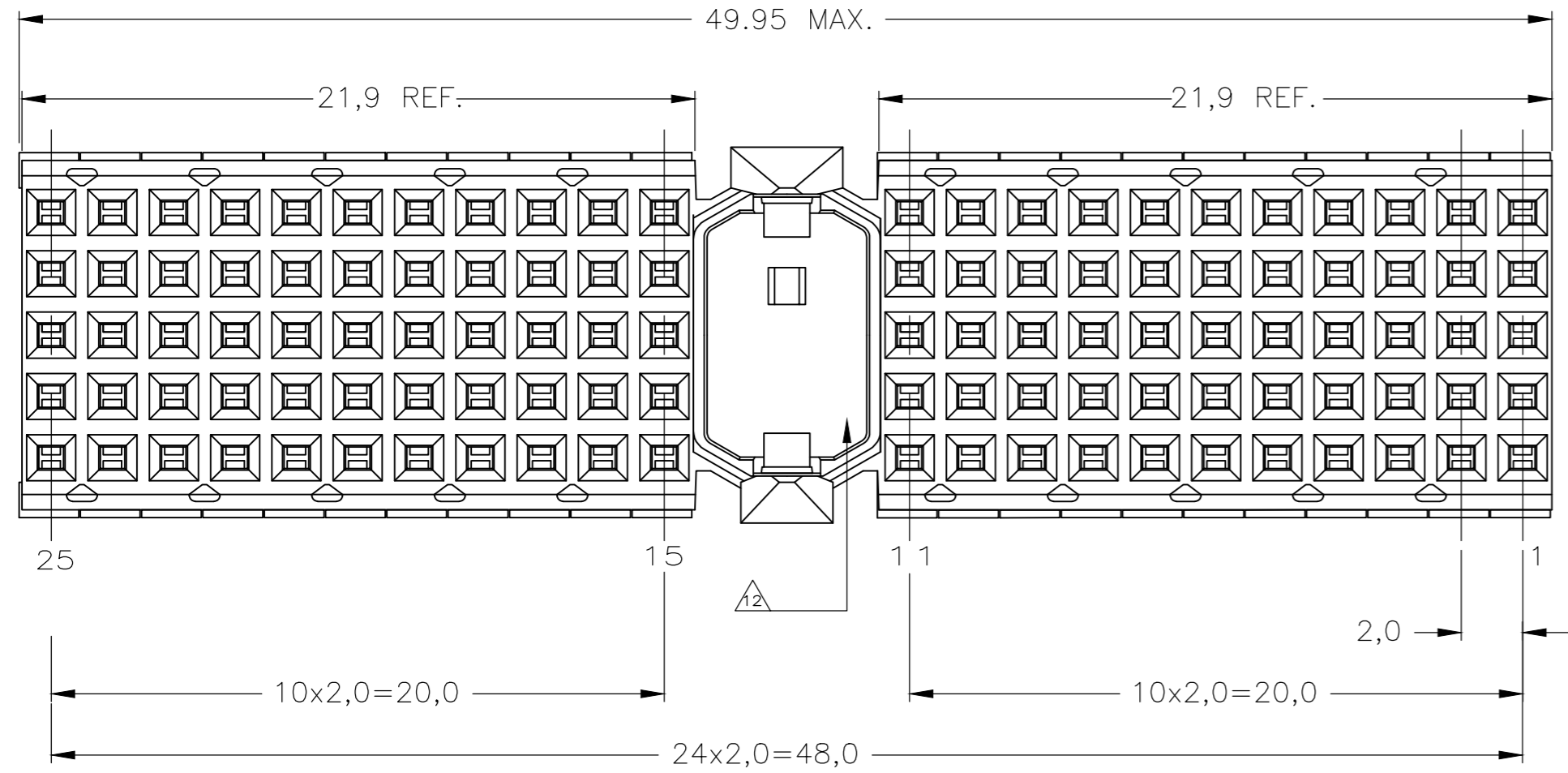
THIS DRAWING IS UNPUBLISHED. RELEASED FOR PUBLICATION
 © COPYRIGHT - By - ALL RIGHTS RESERVED.

REVISIONS					
P	LTR	DESCRIPTION	DATE	DWN	APVD
G1		REVISED PER ECR ECO-19-002730	05AUG2019	A.S	H.L



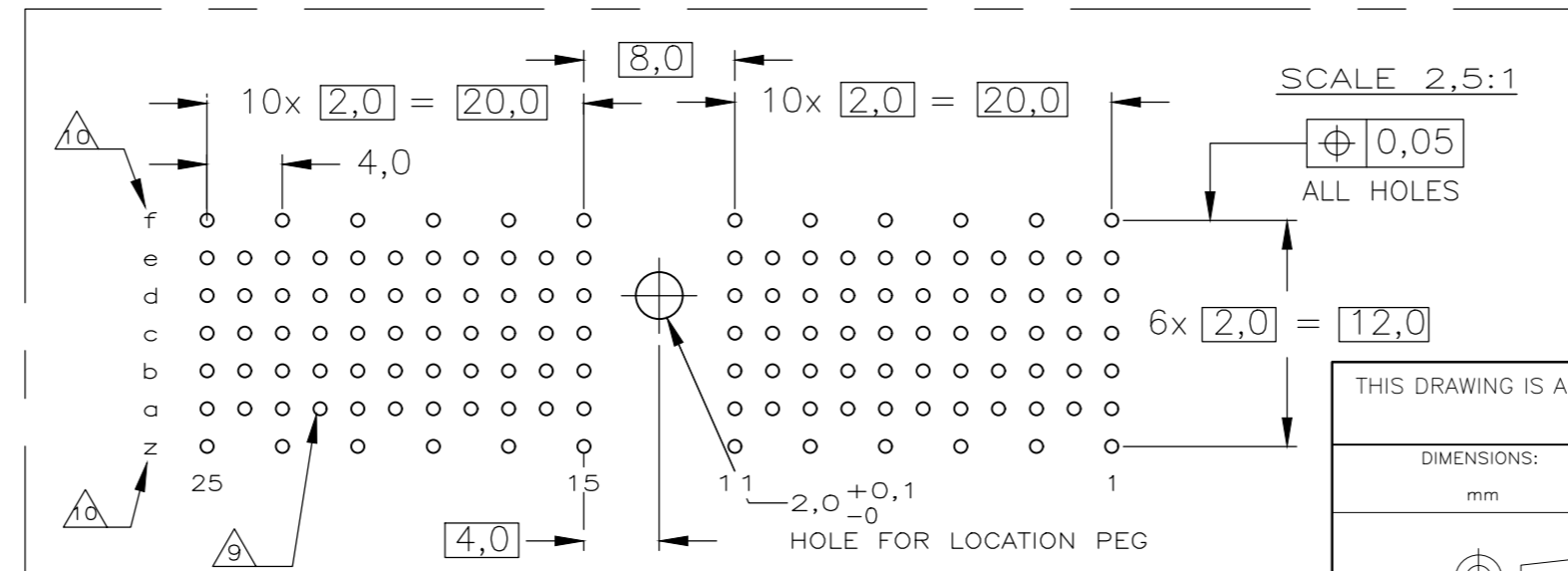
SECTION A-A

SECTION B-B



VIEW M SCALED

- NOTES:**
- △ MATERIAL CONTACT; PHOSPHORBRONZE
MATERIAL HOUSING; GLASSFILLED POLYESTER
UL-RATING 94V0 (GRAY).
 - △ GENERAL PLATING SPECIFICATION: UNDERPLATING (ENTIRE CONTACT):
1,27µm NICKEL MIN. AND ACTION PIN: 0,5µm TIN MIN.
FOR PLATING OF MATING SURFACES SEE APPLICABLE SPECIFICATION
REFERENCE FOR EACH DASH NUMBER.
 - △ CONFORMS TO ALL TESTING ACCORDING IEC 61076-4-101
PERFORMANCE LEVEL 2.
 - △ CONFORMS TO ALL TESTING ACCORDING IEC 61076-4-101
PERFORMANCE LEVEL 1.
 - △ CONNECTOR TESTED AND QUALIFIED AGAINST TELCORDIA GR-1217-CORE
QUALITY LEVEL III, CENTRAL OFFICE APPLICATIONS.
 - △ CONNECTOR TESTED AND QUALIFIED AGAINST TELCORDIA GR-1217-CORE
QUALITY LEVEL III, UNCONTROLLED ENVIRONMENT APPLICATIONS.
 - △ CONNECTOR LUBRICATED WITH TELCORDIA GR-1217-CORE
APPROVED LUBRICANT.
 - △ CONNECTOR PRINTED WITH PARTNUMBER AND DATECODE.
 - △ PLATED-THROUGH HOLES AT 2x2mm SQUARE GRID (110 HOLES).
 - △ HOLES IN ROW f AND z FOR POSSIBLE FUTURE USE OF
GROUND RETURN SHIELD. (SHIELDS NOT YET TOOLED)
 - △ LOCATION PEG.
 - △ AREA RESERVED FOR KEYING PART (BASIC P.N.:100526).
 - △ OBSOLETE PARTS: OBSOLETE CIS STREAMLINING PER D.RENAUD/D.SINISI



COMPONENT SIDE AS SHOWN
 RECOMMENDED PCB-HOLE LAY-OUT

P.C.B. HOLE DIM. ACTION PIN
 FOR DETAILS SEE
 APPLICATION SPECIFICATION

THIS DRAWING IS A CONTROLLED DOCUMENT.		DWN	25AUG2004
DIMENSIONS: mm		CHK	27OCT2004
TOLERANCES UNLESS OTHERWISE SPECIFIED:		APVD	27OCT2004
6-PLC ±		NAME	
1-PLC ±		K.N.KIRAN	
2-PLC ±		B.MOOIJ	
3-PLC ±		B.MOOIJ	
4-PLC ±		PRODUCT SPEC	
ANGLES ±		108-19082	
FINISH		APPLICATION SPEC	
-		114-19029	
-		WEIGHT	
-		0.000000	

△3	OBSOLETE	△6	△7	△	1-5352457-9
△3	OBSOLETE	△5	△8	△	5352457-9
△3	OBSOLETE	△4	△9	△	5352457-4
		△3		△	5352457-1
		FINISH			PARTNUMBER
		MATERIAL			

TE Connectivity		Z-PACK 2mm HM TYPE A 110 POS. VERTICAL FEMALE CONNECTOR WITH LOCATION PEG	
SIZE	CAGE CODE	DRAWING NO	RESTRICTED TO
A2	00779	C=5352457	-
CUSTOMER DRAWING		SCALE	SHEET
-		5:1	1 of 1
-		REV	G1

X-ON Electronics

Largest Supplier of Electrical and Electronic Components

Click to view similar products for [Hard Metric Connectors](#) category:

Click to view products by [TE Connectivity](#) manufacturer:

Other Similar products are found below :

[6345127-1](#) [646916-9](#) [6469658-1](#) [973108](#) [1-2000713-0](#) [1-2000713-2](#) [1-2000713-3](#) [1645343-1](#) [1645456-1](#) [1645594-1](#) [1645595-1](#) [1645601-1](#)
[1934822-1](#) [278071110010833](#) [1645179-1](#) [1645245-1](#) [1645457-1](#) [1645525-1](#) [1645570-1](#) [1645596-1](#) [17041102202](#) [1857470-1](#) [1934275-1](#)
[1934289-1](#) [1934759-1](#) [2000673-1](#) [2170292-2](#) [2-536642-6](#) [3-106015-1](#) [352188-1](#) [352629-1](#) [5120823-1](#) [5120899-1](#) [3-100145-0](#) [3-100147-0](#)
[3-100669-1](#) [3-106081-0](#) [HM2DK2368PLF](#) [5646530-1](#) [3-352049-0](#) [3-352069-0](#) [3-352115-0](#) [3-352638-0](#) [352189-1](#) [3-646357-0](#) [3-646487-0](#)
[3-646513-0](#) [106726-1](#) [114352](#) [114619](#)