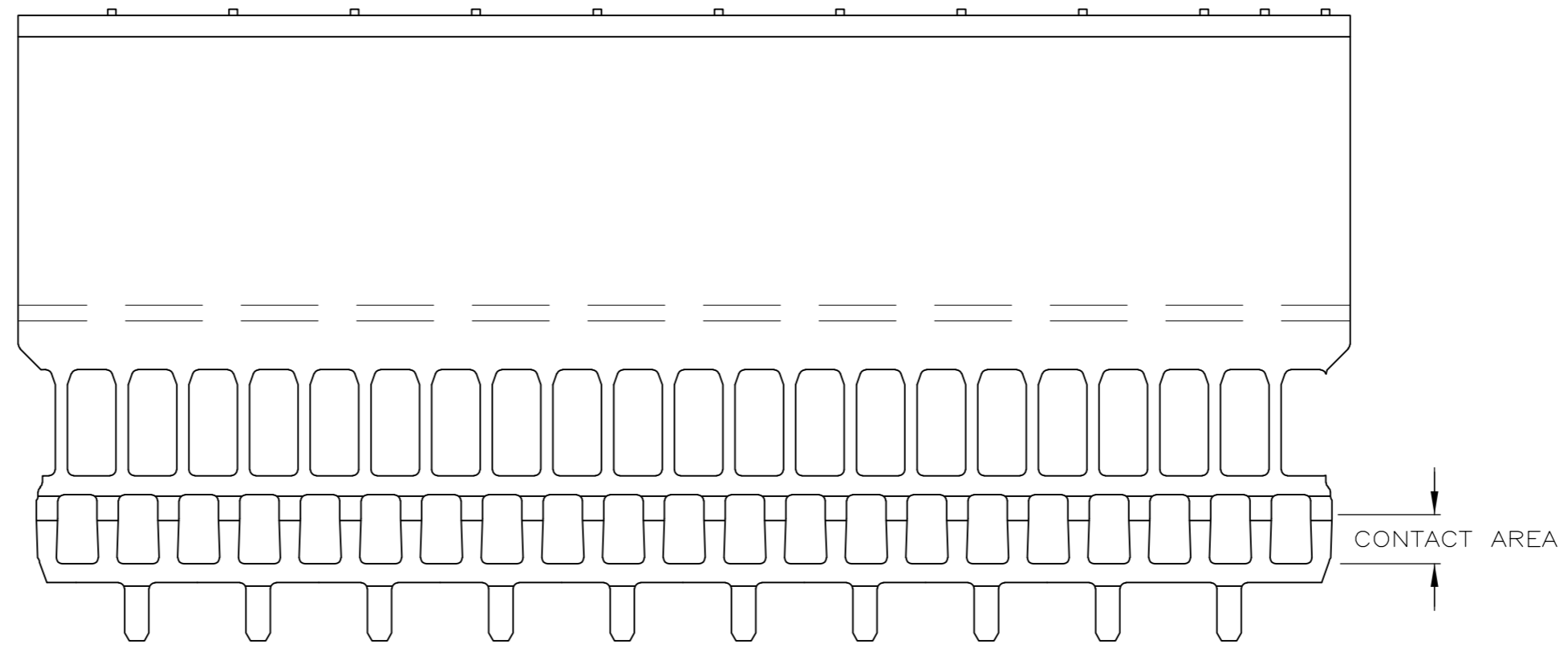
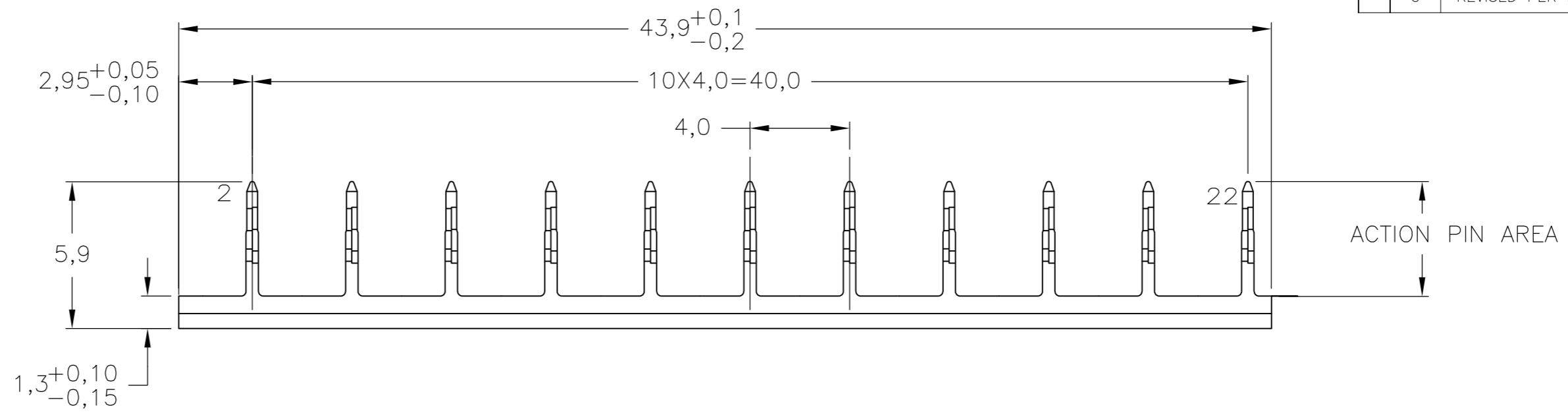
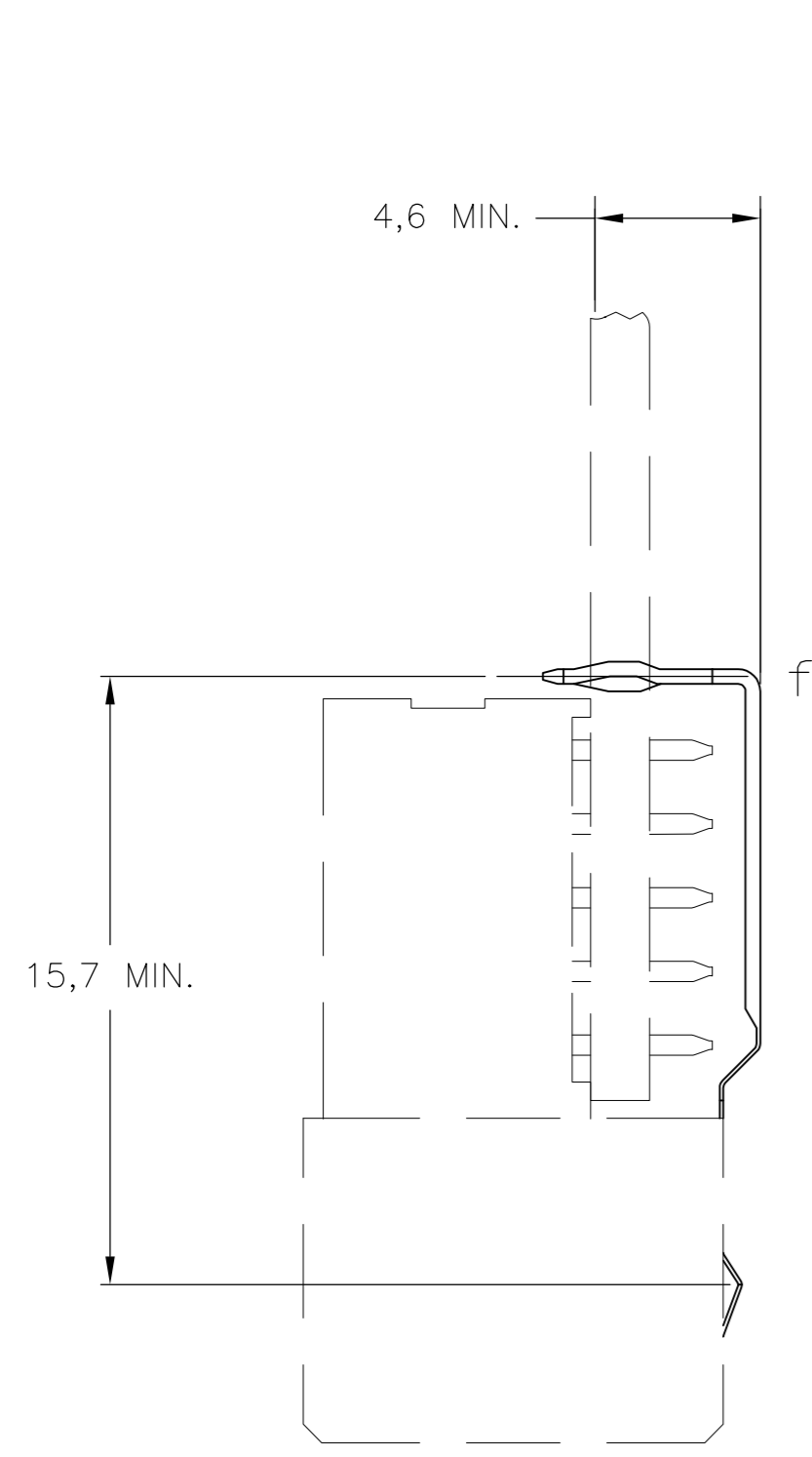


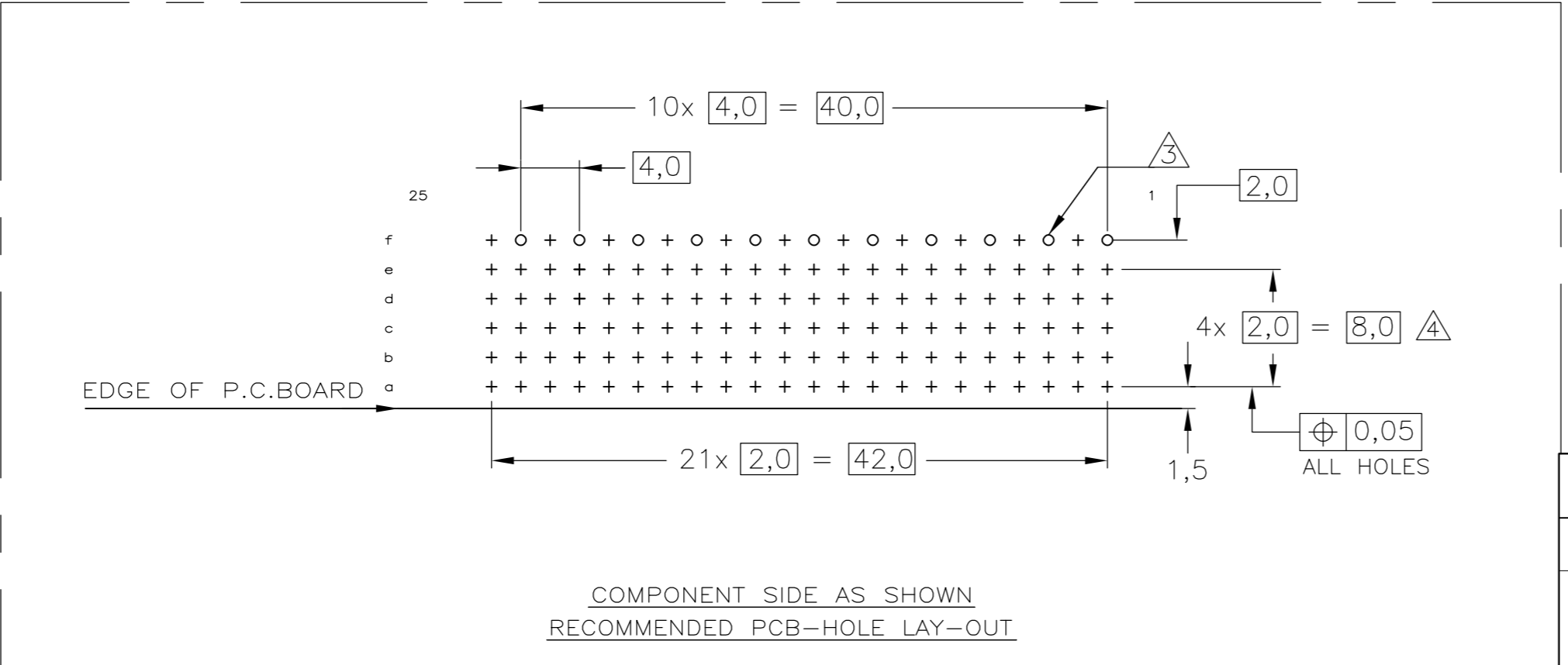
THIS DRAWING IS UNPUBLISHED. RELEASED FOR PUBLICATION
 © COPYRIGHT - By - ALL RIGHTS RESERVED.

LOC		DIST		REVISIONS			
P	LTR	DESCRIPTION	DATE	DWN	APVD		
C		REVISED PER ECO-13-015151	16DEC2013	FL	FY		



NOTES:

- 1 GENERAL PLATING SPECIFICATION: UNDERPLATING (ENTIRE CONTACT): 1,27µm NICKEL MIN. AND ACTION PIN: 0,5µm TIN MIN. FOR PLATING OF MATING SURFACES SEE PERFORMANCE LEVEL SHOWN IN PART NUMBER TABLE.
- 2 MATERIAL; PHOSPHORBRONZE.
- 3 ROW "f" 11 PLATED THROUGH HOLES FOR LOWERSHIELD.
- 4 HOLE PATTERN FOR FEMALE CONNECTOR TYPE B-22 COLUMNS WITH UPPERSHIELD, 110+11 PLATED-THROUGH HOLES AT 2x2mm SQUARE GRID MAX. BOARD THICKNESS 3,5 mm.
- 5 SHIELDS LUBRICATED WITH BELLCORE APPROVED LUBRICANT. TECHNICAL REF: TR-NWT-001217 ISSUE 1, SEPT. 1992.
- 6 CONFORMS TO ALL TESTING ACCORDING IEC 61076-4-101 PERFORMANCE LEVEL 2.
- 7 CONFORMS TO ALL TESTING ACCORDING IEC 61076-4-101 PERFORMANCE LEVEL 1.
- 8 CONNECTOR TESTED AND QUALIFIED AGAINST TELCORDIA GR-1217-CORE QUALITY LEVEL III, CENTRAL OFFICE APPLICATIONS.
- 9 0,76µm MIN GOLD PLATING AT MATING SURFACE.



FINISH	MATERIAL	PARTNUMBER
1 1 10	2	4-5352468-0
1 6 9	2	5352468-9
1 1	2	5352468-2

THIS DRAWING IS A CONTROLLED DOCUMENT.		DWN B. Mooij 08-JUL-05			NAME	
DIMENSIONS: mm		CHK B. Mooij 08-JUL-05			Z-PACK 2mm HM	
TOLERANCES UNLESS OTHERWISE SPECIFIED:		APVD J. Broeksteeg 08-JUL-05	GROUND RETURN LOWERSHIELD		RESTRICTED TO	
0-PLC ±		PRODUCT SPEC	TYPE B-22 COLUMNS			
1-PLC ± ±0.2		APPLICATION SPEC	SIZE A2	CAGE CODE 00779	DRAWING NO. C=5352468	
2-PLC ±		WEIGHT -	SCALE 5:1	SHEET 1 of 1	REV C	
3-PLC ±		MATERIAL -	CUSTOMER DRAWING			
4-PLC ±		FINISH -				
ANGLES ±						

X-ON Electronics

Largest Supplier of Electrical and Electronic Components

Click to view similar products for [Hard Metric Connectors](#) category:

Click to view products by [TE Connectivity](#) manufacturer:

Other Similar products are found below :

[6345127-1](#) [646916-9](#) [6469658-1](#) [973108](#) [1-2000713-0](#) [1-2000713-2](#) [1-2000713-3](#) [1645343-1](#) [1645456-1](#) [1645594-1](#) [1645595-1](#) [1645601-1](#)
[1934822-1](#) [278071110010833](#) [1645179-1](#) [1645245-1](#) [1645457-1](#) [1645525-1](#) [1645570-1](#) [1645596-1](#) [17041102202](#) [1857470-1](#) [1934275-1](#)
[1934289-1](#) [1934759-1](#) [2000673-1](#) [2170292-2](#) [2-536642-6](#) [3-106015-1](#) [352188-1](#) [352629-1](#) [5120823-1](#) [5120899-1](#) [3-100145-0](#) [3-100147-0](#)
[3-100669-1](#) [3-106081-0](#) [HM2DK2368PLF](#) [5646530-1](#) [3-352049-0](#) [3-352069-0](#) [3-352115-0](#) [3-352638-0](#) [352189-1](#) [3-646357-0](#) [3-646487-0](#)
[3-646513-0](#) [106726-1](#) [114352](#) [114619](#)