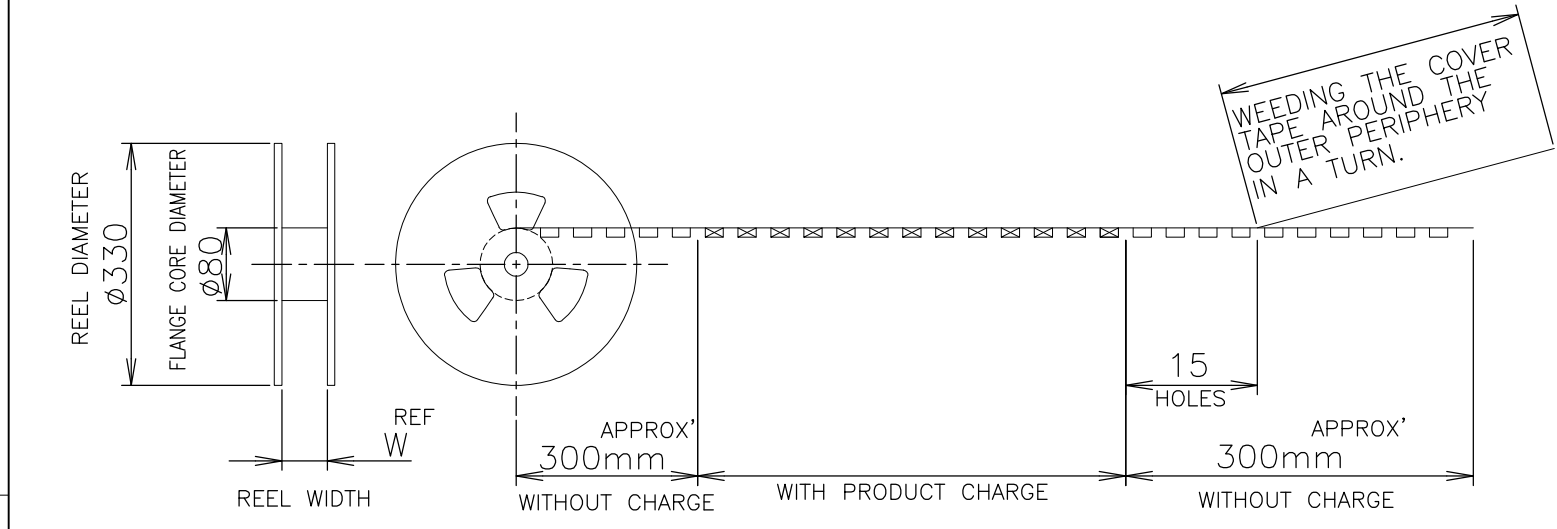
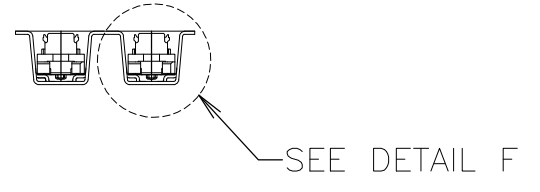
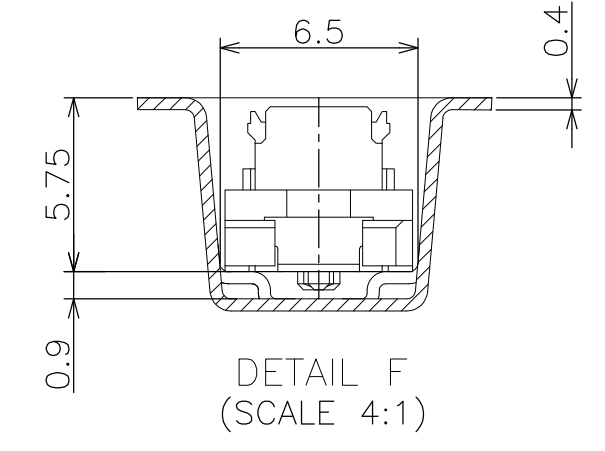
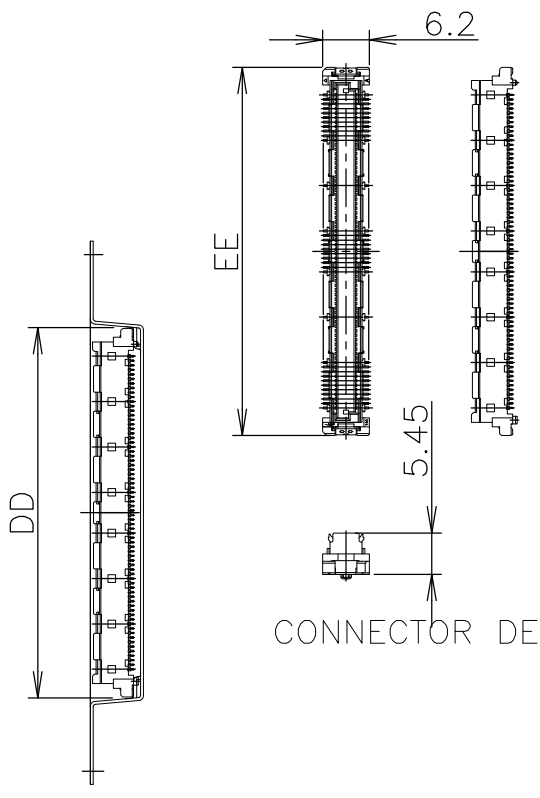
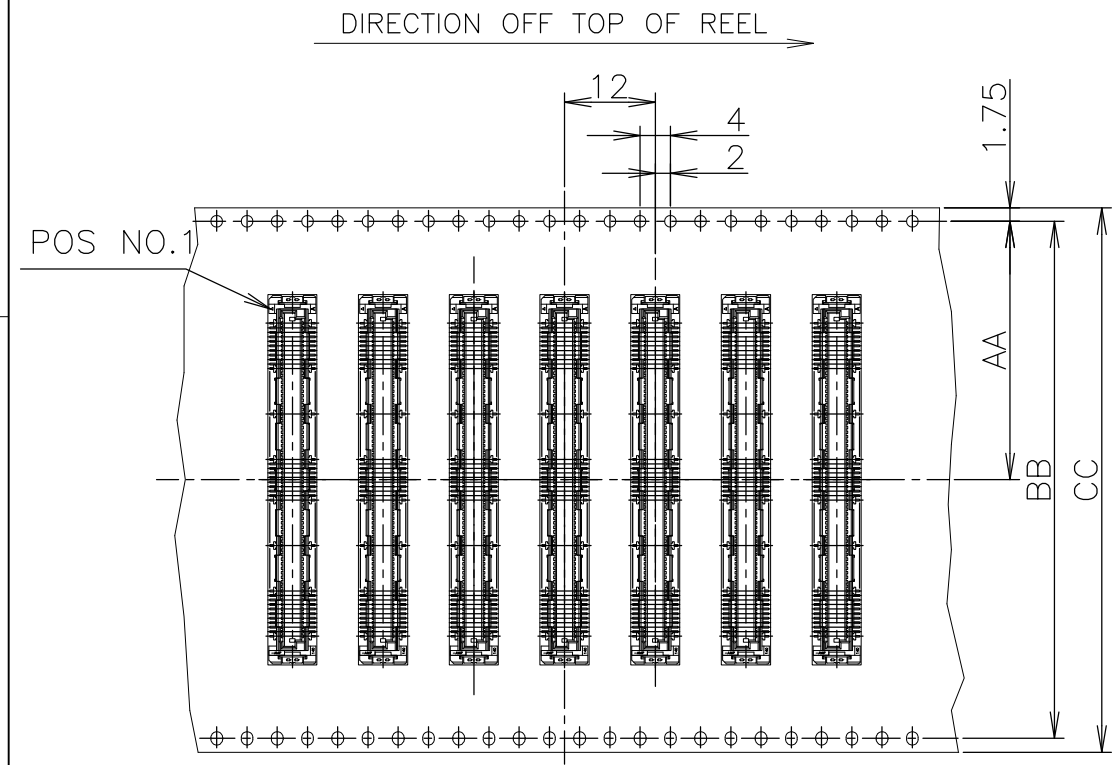


THIS DRAWING IS UNPUBLISHED. RELEASED FOR PUBLICATION JUN , 1996.
 © COPYRIGHT 1996 BY TYCO ELECTRONICS CORPORATION. ALL RIGHTS RESERVED.

LOC	DIST	REVISIONS					
		P	LTR	DESCRIPTION	DATE	DWN	APVD
J		B		REVISED ECR-08-000339	01FEB08	T.T	T.F
		C		REVISED PER ECO-17-002393	27MAY17	B.J	S.Y



SEALANT	TOOLING STATUS	QTY.	W	EE	DD	CC	BB	AA	POS.	PART NO.
SEALANT	NOT AVAILABLE	800	77.5	54.7	55	72	68.4	34.2	160	6-5353185-1
	AVAILABLE		77.5	48.7	49	72	68.4	34.2	140	6-0
	NOT AVAILABLE		61.5	42.7	43	56	52.4	26.2	120	5-9
	NOT AVAILABLE		61.5	36.7	37	56	52.4	26.2	100	5-8
	NOT AVAILABLE		61.5	33.7	34	56	52.4	26.2	90	5-7
	NOT AVAILABLE		49.5	30.7	31	44	40.4	20.2	80	5-6
	AVAILABLE		49.5	27.7	28	44	40.4	20.2	70	5-5
	NOT AVAILABLE		49.5	24.7	25	44	40.4	20.2	60	5-4
	NOT AVAILABLE		37.5	21.7	22	32	28.4	14.2	50	5-3
	NOT AVAILABLE		37.5	18.7	19	32	28.4	14.2	40	5-2
NON SEALANT	NOT AVAILABLE	800	29.5	15.7	16	24	11.5	30	5-5353185-1	
	NOT AVAILABLE	800	77.5	54.7	55	72	68.4	34.2	160	1-5353185-1
	AVAILABLE		77.5	48.7	49	72	68.4	34.2	140	1-0
	NOT AVAILABLE		61.5	42.7	43	56	52.4	26.2	120	-9
	AVAILABLE		61.5	36.7	37	56	52.4	26.2	100	-8
	NOT AVAILABLE		61.5	33.7	34	56	52.4	26.2	90	-7
	NOT AVAILABLE		49.5	30.7	31	44	40.4	20.2	80	-6
	AVAILABLE		49.5	27.7	28	44	40.4	20.2	70	-5
	NOT AVAILABLE		49.5	24.7	25	44	40.4	20.2	60	-4
	NOT AVAILABLE		37.5	21.7	22	32	28.4	14.2	50	-3

THIS DRAWING IS A CONTROLLED DOCUMENT.

DWN LEO ZHOU 14DEC04
 CHK STEVEN YAO 14DEC04
 APVD I.ENOMOTO 14DEC04

Tyco Electronics Corporation
 Kawasaki, Japan

NAME 名称
 EMOSS ASSY
 FH 0.6BTB CONNECTOR
 PLUG 6H STD TYPE

DIMENSIONS: 单位: 耗 mm
 TOLERANCES UNLESS OTHERWISE SPECIFIED: 一般公差
 0 PLC ± 0.2
 1 PLC ± 0.2
 2 PLC ± 0.2
 3 PLC ± 0.2
 4 PLC ± 0.2
 ANGLES ± 5'

MATERIAL 材料
 FINISH 仕上

PRODUCT SPEC 製品規格
 108-60047

APPLICATION SPEC 取付適用規格
 114-5255

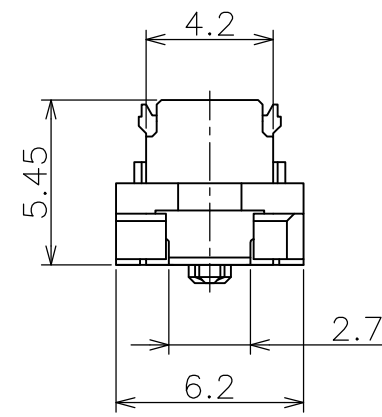
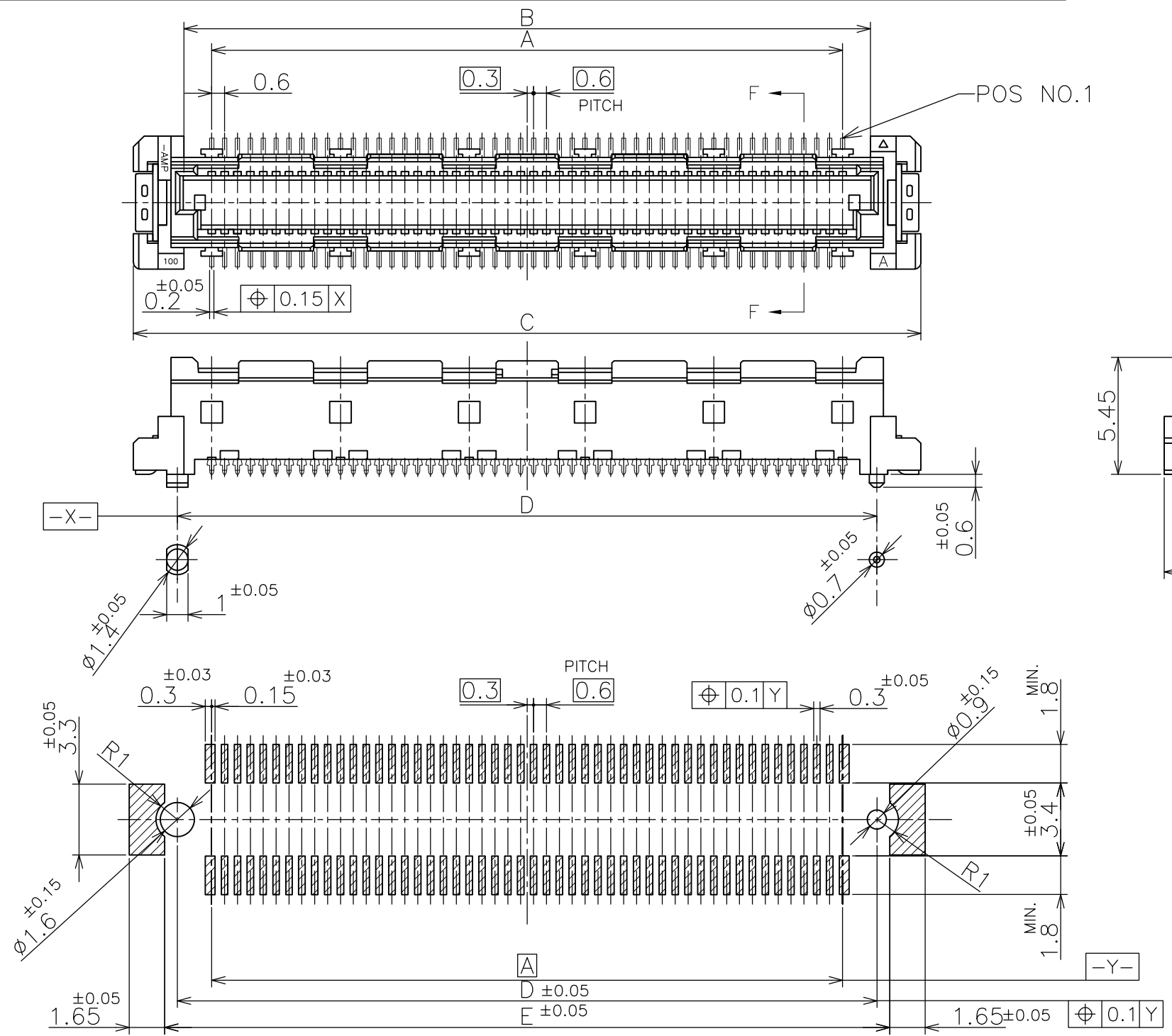
WEIGHT

SIZE A3 CAGE CODE 00779 DRAWING NO. 番号 G-5353185 RESTRICTED TO

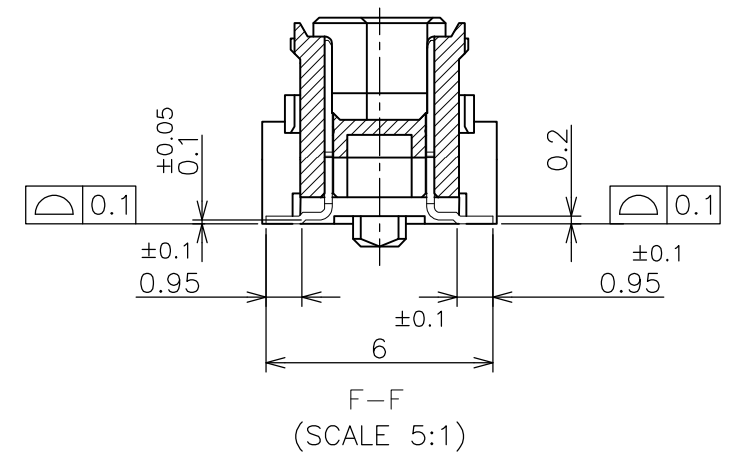
CUSTOMER DRAWING SCALE 尺度 1:1 SHEET 1 OF 2 REV C

THIS DRAWING IS UNPUBLISHED. RELEASED FOR PUBLICATION JUN , 1996.
 © COPYRIGHT 1996 BY TYCO ELECTRONICS CORPORATION. ALL RIGHTS RESERVED.

LOC	DIST	REVISIONS		
		P	LTR	DESCRIPTION
J				SEE SHEET 1



- △ MATERIAL : HOUSING : HIGH TEMP THERMO PLASTIC UL94V-0
CONTACT : COPPER ALLOY
- △ FINISH : UNDER PL Ni 0.0013mm MIN ALL OVER.
CONTACT AREA 0.0002 MIN Au PL.
SOLDERING AREA 0.001 MIN TIN PL.
- △ PACKING ASSY DWG SEE SHEET 1.
- △ THIS PRODUCT WAS COATED BY FLUX-PENETRATION-INHIDTING AGENT.



REFERENCE P.C. BOARD LAYOUT
(VIEW FROM CONN. MOUNTING SIDE)

51.8	50.6	54.7	50	47.4	160	1-5353185-1 & 6-5353185-1
45.8	44.6	48.7	44	41.4	140	1-5353185-0 & 6-5353185-0
39.8	38.6	42.7	38	35.4	120	↑ -9 & 5- ↑ -9
33.8	32.6	36.7	32	29.4	100	↑ -8 & 5- ↑ -8
30.8	29.6	33.7	29	26.4	90	↑ -7 & 5- ↑ -7
27.8	26.6	30.7	26	23.4	80	↑ -6 & 5- ↑ -6
24.8	23.6	27.7	23	20.4	70	↑ -5 & 5- ↑ -5
21.8	20.6	24.7	20	17.4	60	↑ -4 & 5- ↑ -4
18.8	17.6	21.7	17	14.4	50	↑ -3 & 5- ↑ -3
15.8	14.6	18.7	14	11.4	40	↑ -2 & 5- ↑ -2
12.8	11.6	15.7	11	8.4	30	5353185-1 & 5-5353185-1
E	D	C	B	A	POS	△ PART NO.

THIS DRAWING IS A CONTROLLED DOCUMENT.

DIMENSIONS: 単位: 耗 mm	TOLERANCES UNLESS OTHERWISE SPECIFIED: 一般公差
0 PLC ± 0.3	1 PLC ± 0.3
2 PLC ± 0.3	3 PLC ± 0.3
4 PLC ± 0.3	PLC ANGLES ± 3'
MATERIAL 材料	FINISH 仕上

DWN	CHK	APVD	PRODUCT SPEC 製品規格	APPLICATION SPEC 取付適用規格	WEIGHT
-----	-----	------	----------------------	----------------------------	--------

Tyco Electronics Tyco Electronics Corporation
Kawasaki, Japan

NAME 名称
EMBOSS ASSY
FH 0.6BTB CONNECTOR
PLUG 6H STD TYPE

SIZE	CAGE CODE	DRAWING NO 番号	RESTRICTED TO
A3	00779	G-5353185	

CUSTOMER DRAWING SCALE 尺度 4:1 SHEET 2 OF 2 REV C

X-ON Electronics

Largest Supplier of Electrical and Electronic Components

Click to view similar products for [Board to Board & Mezzanine Connectors](#) category:

Click to view products by [TE Connectivity](#) manufacturer:

Other Similar products are found below :

[10135583-642402LF](#) [89885-310LF](#) [589158040000018](#) [6-1393048-0](#) [68683-613](#) [MDF7-12DP-2.54DSA](#) [MDF7-18P-2.54DSA\(01\)](#) [MDF7-20DP-2.54DSA](#) [MDF7-26D-2.54DSA\(55\)](#) [MDF7-3P-2.54DSA\(01\)](#) [MDF7B-20P-2.54DSA\(01\)](#) [MDF7B-3P-2.54DSA\(55\)](#) [MDF7C-18P-2.54DSA\(55\)](#) [MDF7P-5P-2.54DSA\(55\)](#) [75234-0516](#) [FCN-230C068-11](#) [FCN-268F012-G/BD](#) [FCN-268F036-G/BD](#) [FCN-268M012-G/0D](#) [FCN-268M024-G/1D](#) [FCN-360C008-C](#) [FCN-723J004/1](#) [MIS-048-01-F-D-DP-K](#) [832-10-034-10-001000](#) [93696-325LF](#) [11828-1FA](#) [AXK630345P](#) [18097-0013](#) [2007042-2](#) [304400-2](#) [FCN-214Q030-G/0](#) [FCN-215Q040-G/0](#) [FCN-230C068-ESA](#) [FCN-234P048-G/0](#) [FCN-235D050-G/C](#) [FCN-360A3](#) [FCN-360C040-B](#) [210-93-314-41-105000](#) [2-22603-0](#) [379-064-521-202](#) [MDF7-12P-2.54DSA\(01\)](#) [MDF7-16P-2.54DS\(56\)](#) [MDF7-16P-2.54DSA\(55\)](#) [MDF7-40DP-2.54DSA\(55\)](#) [MDF7-8P-2.54DSA\(55\)](#) [AXG720047](#) [5031084030](#) [55323-1519](#) [DF33-2P-3.3DSA\(24\)](#) [DF33-2S-3.3C](#)