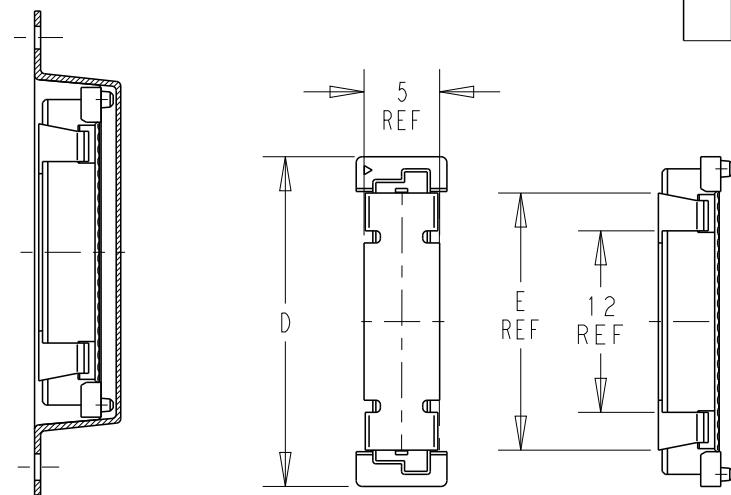
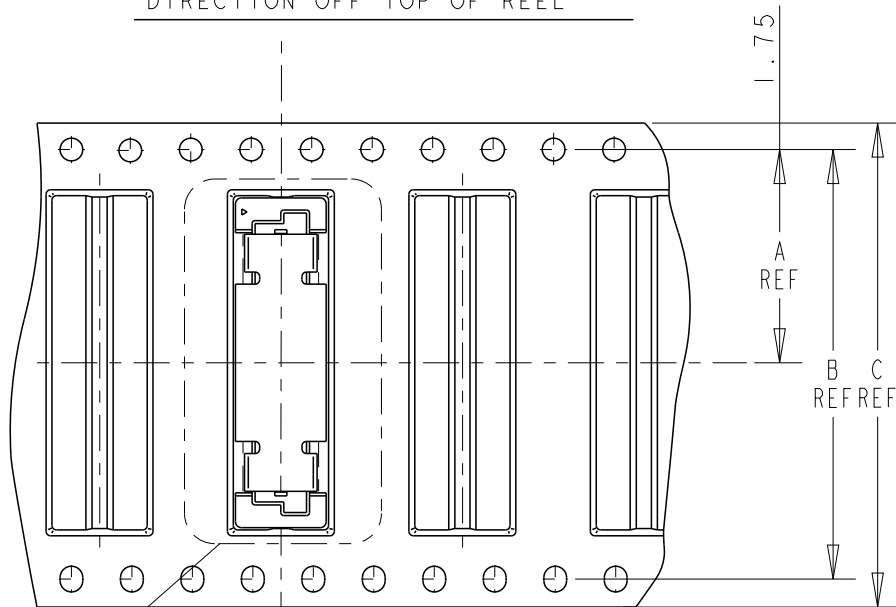


THIS DRAWING IS UNPUBLISHED. RELEASED FOR PUBLICATION 20
© COPYRIGHT 20 BY - ALL RIGHTS RESERVED.

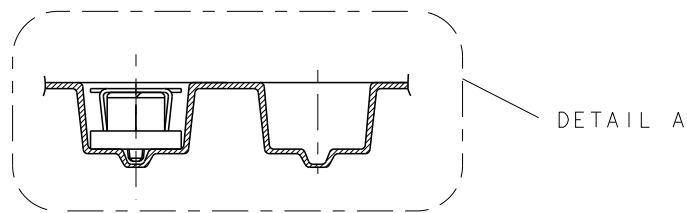
REVISIONS

| P | LTR | DESCRIPTION | DATE | DWN | APVD |
|---|-----|--------------------------------------|-----------|------|------|
| | B | REVISED PER ECO-17-005660 | 12OCT2017 | B. J | S. Y |
| | B1 | Add dimension table on page 2 | 27NOV2019 | AL | HL |
| | B2 | ADD NEW P/N 1-5353999-1, REACTIVE -2 | 25MAR2021 | A. L | H. L |

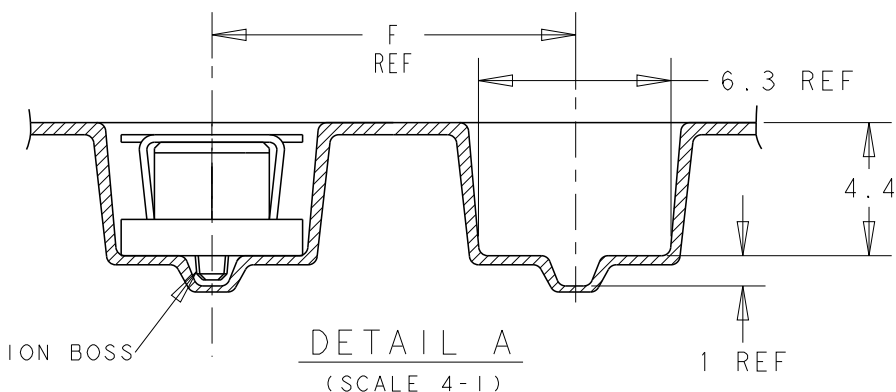
DIRECTION OFF TOP OF REEL



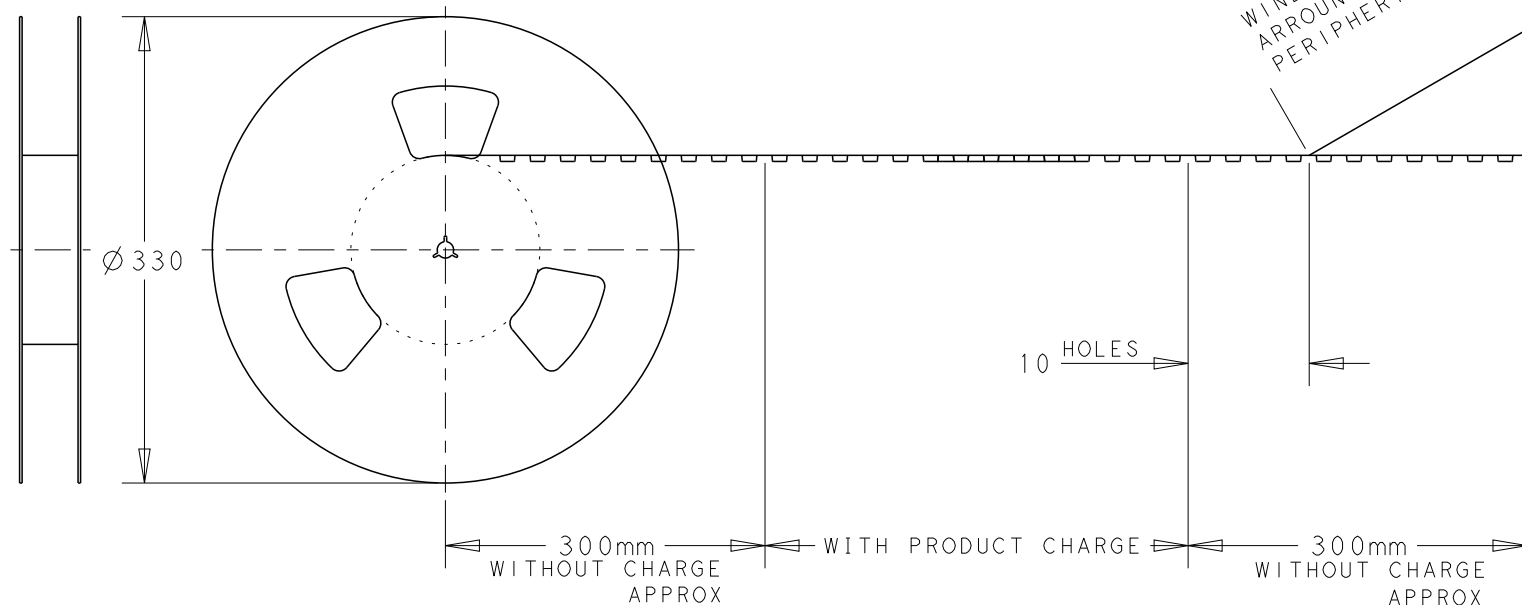
DETAIL B



DETAIL B



WINDING THE COVER TAPE AROUND THE OUTER PERIPHERY IN A TURN.



| AVAILABLE | 1000 | 12 | 17 | 29.8 | 44 | 40.4 | 20.2 | 60 | 2- | -2 |
|----------------|------|----|----|------|-----|-------|------|-----|----------|-----------|
| | ↑ | ↑ | ↑ | 85.8 | ↑ | ↑ | ↑ | 200 | 1- | -0 |
| | | | | 77.8 | 104 | 100.4 | 50.2 | 180 | | -9 |
| | | | | 69.8 | ↑ | ↑ | ↑ | 160 | | -8 |
| | | | | 61.8 | 88 | 84.4 | 42.2 | 140 | | -6 |
| | | | | 53.8 | ↑ | ↑ | ↑ | 120 | | -5 |
| | 700 | 16 | | 45.8 | 72 | 68.4 | 34.2 | 100 | | -4 |
| | ↑ | ↑ | | 37.8 | 56 | 52.4 | 26.2 | 80 | | -3 |
| | | | | 29.8 | 44 | 40.4 | 20.2 | 60 | | -2 |
| | 1000 | 12 | 17 | 21.8 | 32 | 28.4 | 14.2 | 40 | | 5353999-1 |
| TOOLING STATUS | QTY | F | E | D | C | B | A | POS | PART NO. | |

NOTES:

5 OBSOLETE PARTS: OBSOLETE CIS STREAMLINING PER D.RENAUD/D.SINISI

6 CONNECTOR WITH BLACK HOUSING

LOW HALOGEN

THIS DRAWING IS A CONTROLLED DOCUMENT.

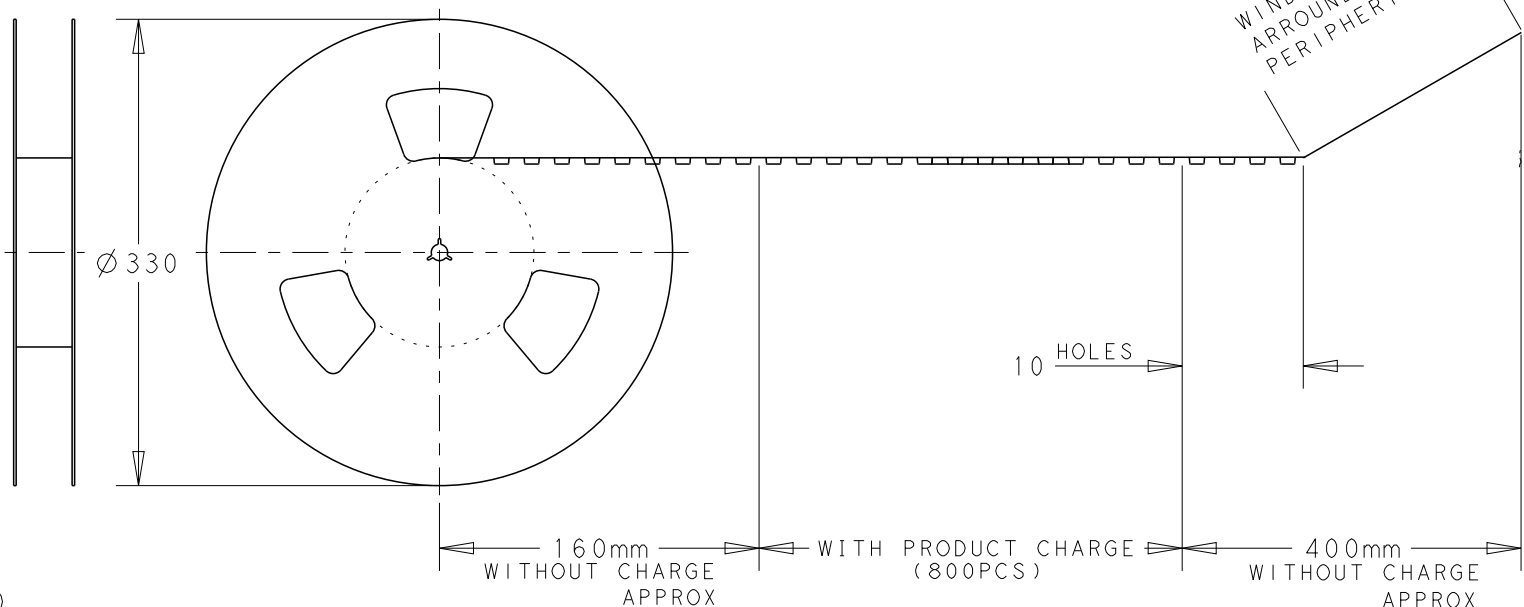
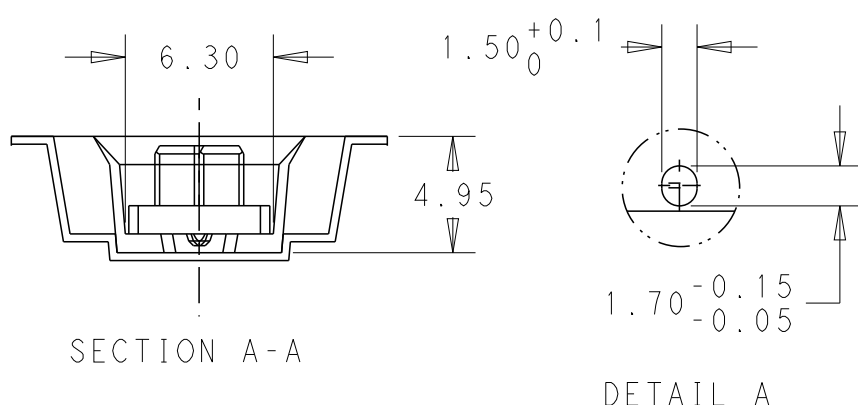
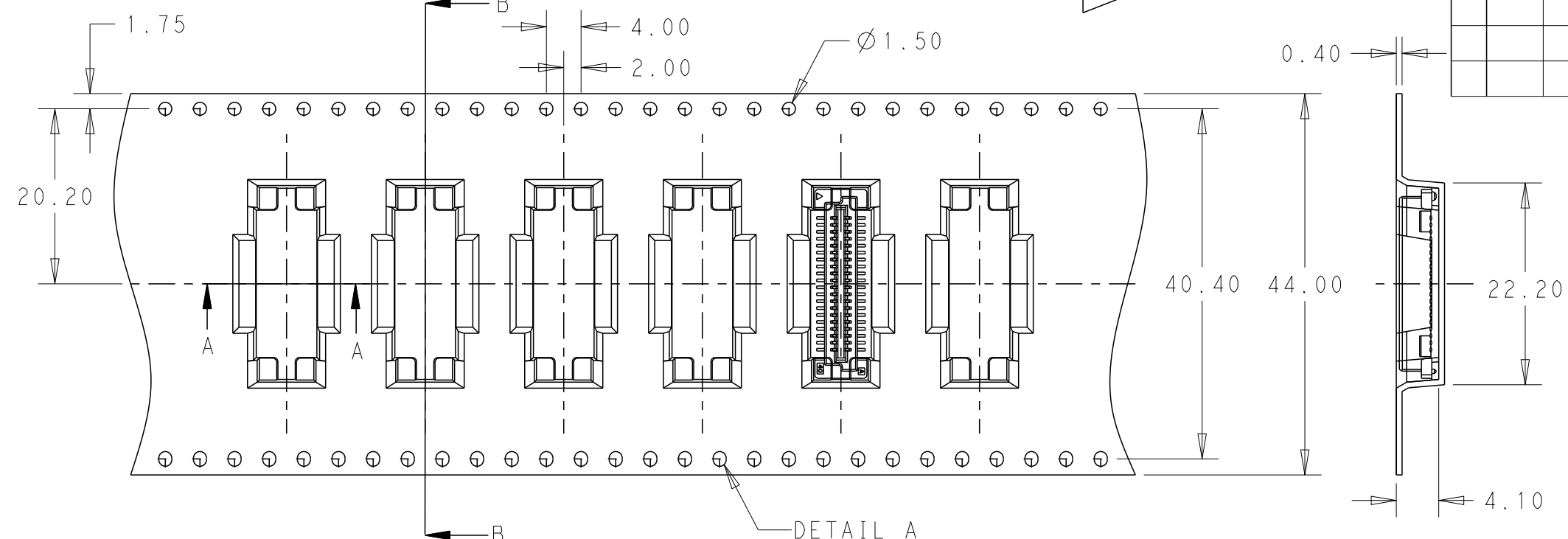
| | |
|-------------------|--|
| DIMENSIONS: mm | TOLERANCES UNLESS OTHERWISE SPECIFIED: |
| | 0 PLC ±- |
| | 1 PLC ±0.3 |
| | 2 PLC ±0.25 |
| | 3 PLC ±0.2 |
| | 4 PLC ±- |
| | ANGLES ±- |
| MATERIAL | FINISH |

| | |
|------------------|----------|
| DWN | 16SEP04 |
| FLORENCE TAN | |
| CHK | ERIC TNG |
| APVD | SF LEONG |
| PRODUCT SPEC | 108-5390 |
| APPLICATION SPEC | - |
| WEIGHT | - |
| CUSTOMER DRAWING | |

| | | | |
|-----------------|-----------|--|---------------|
| TE Connectivity | | NAME | |
| | | REC ASSY, 5H, 0.76 GOLD 0.8FH, BTB CONNECTOR 0.5 BOSS LENGTH | |
| SIZE | CAGE CODE | DRAWING NO | RESTRICTED TO |
| A3 | 00779 | C-5353999 | - |
| SCALE 4:1 | | SHEET 1 OF 3 | REV B2 |

| P | LTR | DESCRIPTION | DATE | DWN | APVD |
|---|-----|-------------|------|-----|------|
| - | - | SEE SHEET 1 | - | - | - |

8 USER DIRECTION OF UNREELING



7. UNLESS OTHERWISE SPECIFIED TOLERANCE PER EIA-481-D

8 USER DIRECTION OF UNREELING.

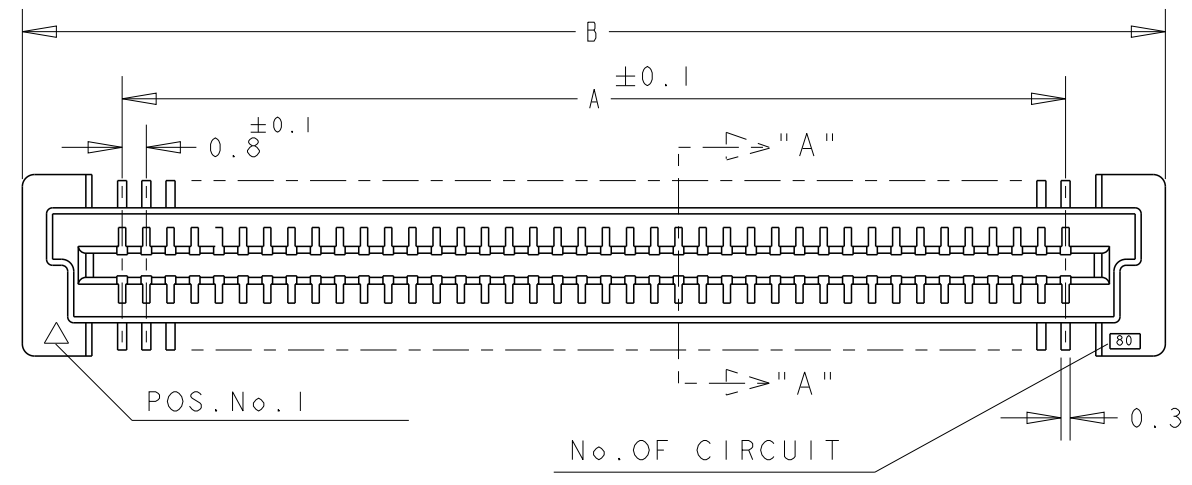
9. REEL CONFIGURATION AND DIMENSIONS PER EIA-481-2-A OR ENGINEERING APPROVED EQUIVALENTS.

1-5353999-1 EMBOSS PACKAGE AS SHOWN (WITHOUT COVER)

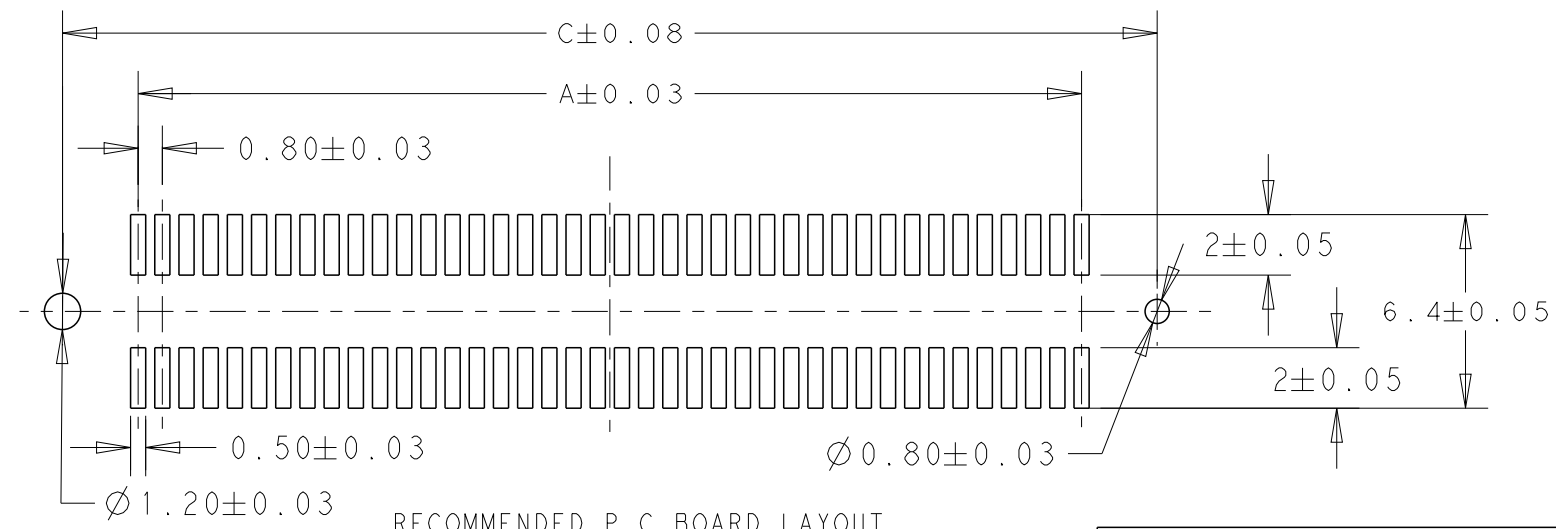
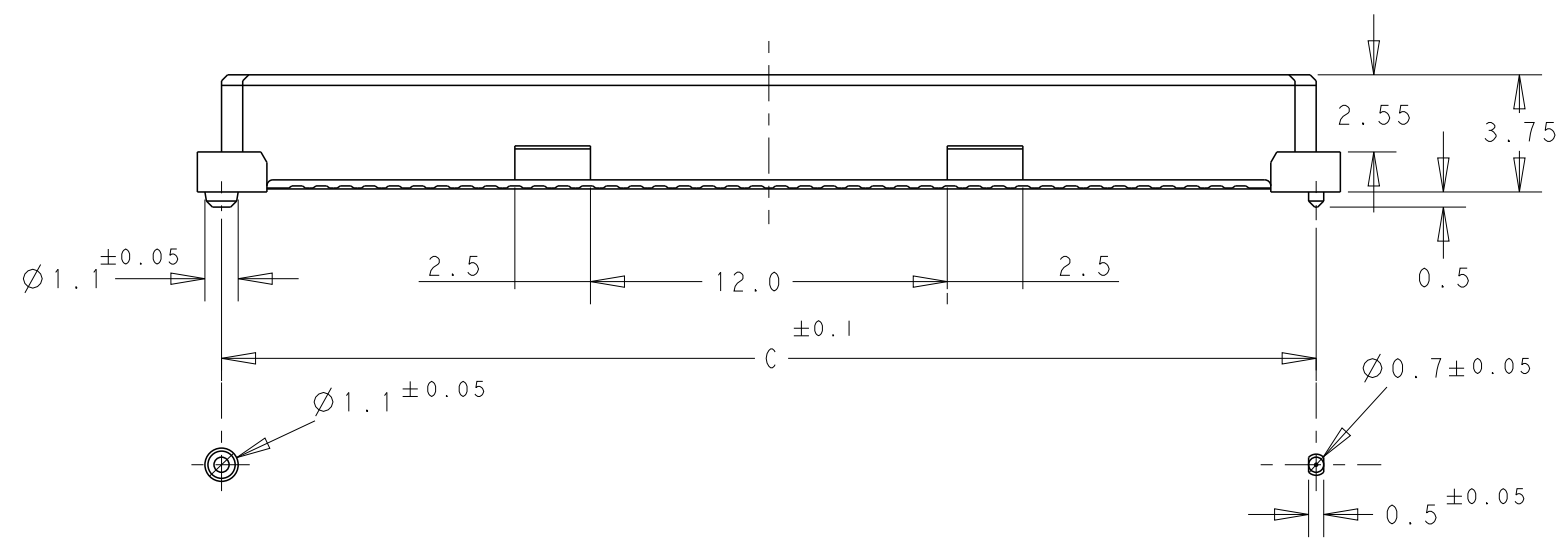
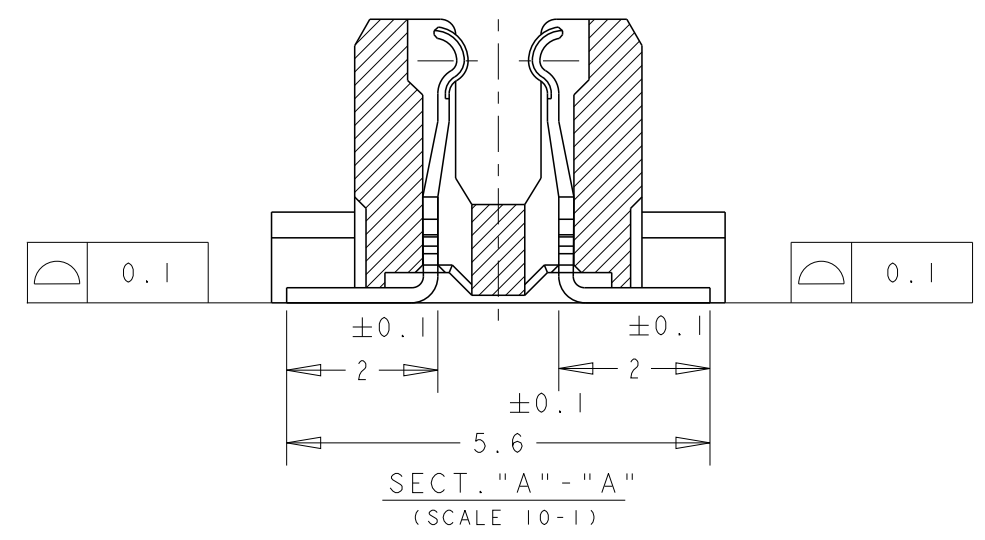
| | | | | |
|--|--|-----------------------------|------------------------------|-----------------|
| THIS DRAWING IS A CONTROLLED DOCUMENT. | | DWN 16SEP04 FLORENCE TAN | TE Connectivity | |
| DIMENSIONS: mm | | CHK ERIC TNG | | |
| TOLERANCES UNLESS OTHERWISE SPECIFIED: | | APVD SF LEONG | NAME REC ASSY, 5H, 0.76 GOLD | |
| 0 PLC \pm | | PRODUCT SPEC 108-5390 | 0.8FH, BTB CONNECTOR | |
| 1 PLC ± 0.3 | | APPLICATION SPEC - | 0.5 BOSS LENGTH | |
| 2 PLC ± 0.25 | | WEIGHT - | SIZE A3 | CAGE CODE 00779 |
| 3 PLC ± 0.2 | | CUSTOMER DRAWING | DRAWING NO C-5353999 | RESTRICTED TO - |
| 4 PLC \pm | | SCALE 4:1 | SHEET 2 OF 3 | REV B2 |
| ANGLES \pm | | | | |
| FINISH - | | | | |

THIS DRAWING IS UNPUBLISHED. RELEASED FOR PUBLICATION 20
 © COPYRIGHT 20 BY - ALL RIGHTS RESERVED.

| REVISIONS | | | | | |
|-----------|-----|-------------|------|-----|------|
| P | LTR | DESCRIPTION | DATE | DWN | APVD |
| | - | SEE SHEET 1 | - | - | - |
| | | | | | |
| | | | | | |



LOW HALOGEN



| | | | |
|------|------|------|------|
| 84.2 | 85.8 | 79.2 | 200 |
| 76.2 | 77.8 | 71.2 | 180 |
| 68.2 | 69.8 | 63.2 | 160 |
| 60.2 | 61.8 | 55.2 | 140 |
| 52.2 | 53.8 | 47.2 | 120 |
| 44.2 | 45.8 | 39.2 | 100 |
| 36.2 | 37.8 | 31.2 | 80 |
| 28.2 | 29.8 | 23.2 | 60 |
| 20.2 | 21.8 | 15.2 | 40 |
| C | B | A | POS. |

- NOTES:
- 1 MATERIAL: HOUSING: L.C.P. (HIGH TEMP. THERMOPLASTIC)
UL 94V-0, NATURAL.
CONTACT: BERYLIUM COPPER.
 - 2 FINISH: CONTACT AREA: 0.00076 MIN GOLD ON
0.0013 MIN ALL OVER NICKEL.
SOLDERING AREA: 0.002 MIN MATTE-TIN.
 - 3. POSITION SERIES: SEE TABLE.
 - 4. CONN STACK HEIGHT COMBINE OF PLUG "Y" H VS REC "X" H.
STACK HEIGHT = Y + X - 5

THIS DRAWING IS A CONTROLLED DOCUMENT.

| DIMENSIONS: | TOLERANCES UNLESS OTHERWISE SPECIFIED: |
|-------------|--|
| mm | |
| | 0 PLC ± |
| | 1 PLC ±0.3 |
| | 2 PLC ±0.25 |
| | 3 PLC ±0.2 |
| | 4 PLC ± |
| | ANGLES ± |
| MATERIAL | FINISH |
| | |

16SEP04
 DWN FLORENCE TAN
 CHK ERIC TNG
 APVD SE LEONG
 PRODUCT SPEC 108-5390
 APPLICATION SPEC -
 WEIGHT -

STE TE Connectivity

NAME REC ASSY, 5H, 0.76 GOLD
 0.8FH, BTB CONNECTOR
 0.5 BOSS LENGTH

| | | | |
|------|-----------|------------|---------------|
| SIZE | CAGE CODE | DRAWING NO | RESTRICTED TO |
| A3 | 00779 | C-5353999 | - |

CUSTOMER DRAWING SCALE 4:1 SHEET 3 OF 3 REV B2

X-ON Electronics

Largest Supplier of Electrical and Electronic Components

Click to view similar products for [Board to Board & Mezzanine Connectors](#) category:

Click to view products by [TE Connectivity](#) manufacturer:

Other Similar products are found below :

[589158040000018](#) [MDF7C-18P-2.54DSA\(55\)](#) [FCN-230C068-11](#) [FCN-268F012-G/BD](#) [FCN-268F036-G/BD](#) [FCN-268M012-G/0D](#) [FCN-268M024-G/1D](#) [FCN-723J004/1](#) [MIS-048-01-F-D-DP-K](#) [832-10-034-10-001000](#) [FX4C-80S-1.27DSA](#) [FCN-214Q030-G/0](#) [FCN-234P048-G/0](#) [FCN-235D050-G/C](#) [210-93-314-41-105000](#) [2-22603-0](#) [MDF7-40DP-2.54DSA\(55\)](#) [AXG720047](#) [5031084030](#) [MIT-114-03-F-D-K](#) [55323-1519](#) [DF33-2P-3.3DSA\(24\)](#) [YFT-20-05-H-03-SB-K](#) [503308-3040](#) [026-6203-PDB](#) [027-6203-PDB](#) [069159702701000](#) [10123981-102LF](#) [101A10019X](#) [55650-0588-C](#) [68682-310LF](#) [68684-306](#) [75140-7012](#) [87471-650](#) [194261-1](#) [FCN-268F024-G0D](#) [10124054-515LF](#) [68685-603](#) [8-1616154-3](#) [MIS-019-01-F-D](#) [FCN-268M024-G/3D](#) [20021832-06016C1LF](#) [KX15-20KLDL-E1000E](#) [MDF7-16DP-2.54DSA\(55\)](#) [AXE810124](#) [FCN-214J100-G/0](#) [FCN-230C068-E/S](#) [AXE812124](#) [AXE816124](#) [AXE720127](#)