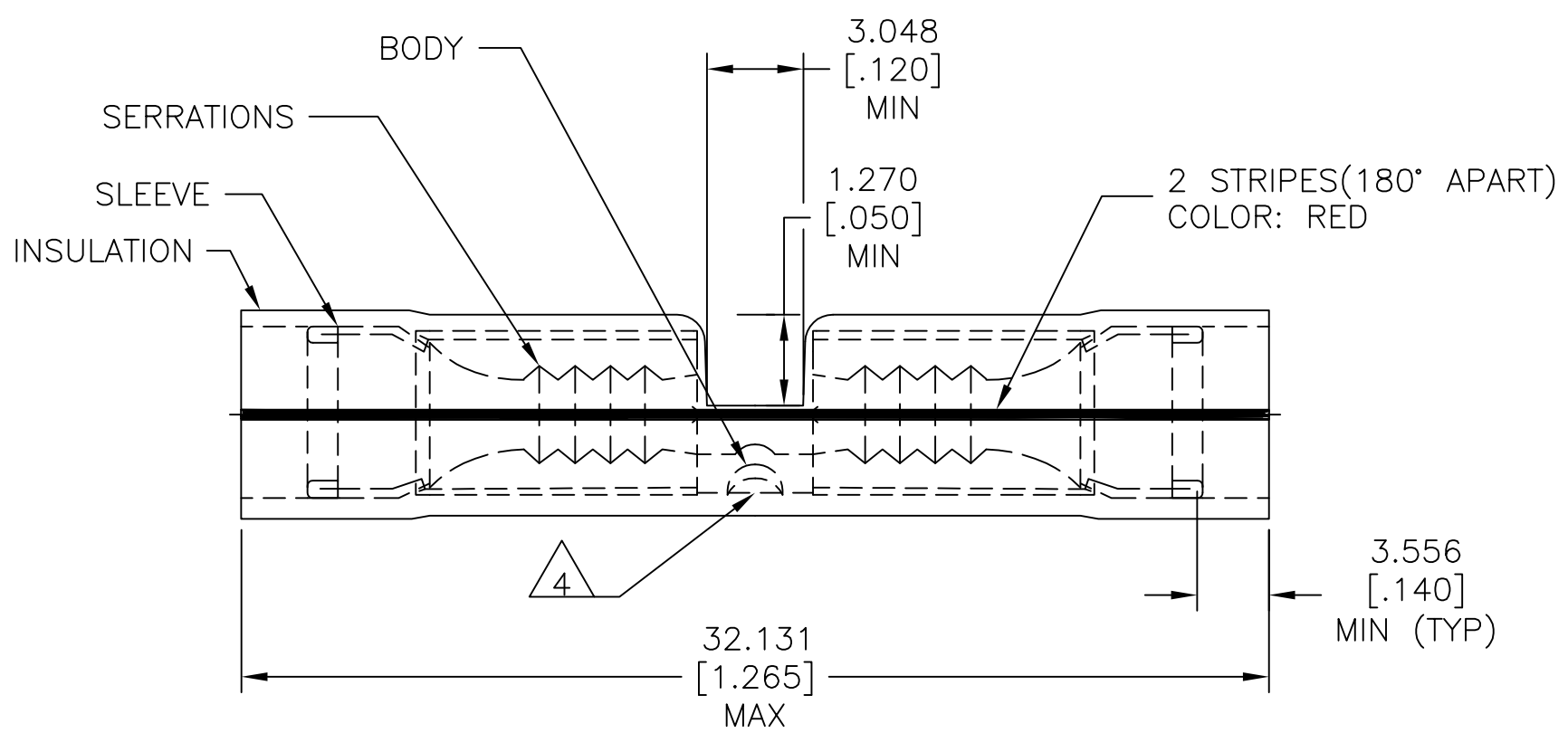
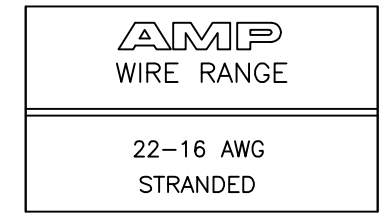


| REVISIONS | | | | | |
|-----------|-----|---------------------------|-----------|-----|------|
| P | LTR | DESCRIPTION | DATE | DWN | APVD |
| | K | REV PER 0G3A-0582-04 | 31AUG04 | JR | TM |
| | K1 | REVISED PER ECO-17-007400 | 22NOV2017 | RS | DR |



- 1 WIRE INSULATION $\phi 2.032[\phi .080]$ TO $\phi 3.175[\phi .125]$.
- 2 FINISH:
 BODY AND SLEEVE: TIN/LEAD (93-7) PLATE PER ASTM B545.(3% MIN LEAD CONTENT)
 INSULATION: COLOR-NATURAL.
- 3 MATERIAL:
 BODY AND SLEEVE: COPPER PER ASTM B152
 INSULATION: PVF²
- 4 STAMP AMP 22-18* APPROX AS SHOWN.
 22-16 TERMINALS ARE STAMPED
 22-18 IN ACCORDANCE WITH MILITARY SPEC SAE AS 7928.
 COMMERCIAL WIRE RANGE IS 22-16.

| | | | |
|------------------------------|------|--------------|----------|
| M7928/6-3 CLASS 2 | 2500 | ON TAPE | 53548-2 |
| M7928/6-3 CLASS 1 & 2 | 1000 | LOOSE PIECE | 53548-1 |
| MILITARY PART NUMBER & CLASS | QTY | PACKAGE TYPE | PART NO. |

| | | | | | | | | | |
|--|--|---|--|---|-----------------------------|--|--------------|--------------------|-----------------------|
| AMP INCORPORATED CUSTOMER SERVICE SYSTEMS | | MAX RECOMMENDED OPERATING TEMPERATURE: 150°C[302°F] | THIS DRAWING IS A CONTROLLED DOCUMENT. | | DWN S.S. GOULDEN 9-28-93 | TE Connectivity NAME SPLICE, BUTT,PVF ² , P.I.D.G., WIRE SIZE: 22-16 AWG | | | |
| FOR ADDITIONAL PRODUCT INFORMATION OR COPIES OF DRAWINGS AND TECHNICAL DOCUMENTS | PRODUCT INFORMATION CENTER 1-800-522-6752 | VOLTAGE RATING: - | DIMENSIONS: mm [INCHES] | TOLERANCES UNLESS OTHERWISE SPECIFIED: | CHK R. HERSEY 9-28-93 | | | | |
| FOR APPLICATION TOOLING INFORMATION | TOOLING ASSISTANCE CENTER 1-800-722-1111 | CIRCULAR MIL AREA: 0.26-1.65mm ² [509-3,260] STRANDED | | 0 PLC ± - 1 PLC ± - 2 PLC ± - 3 PLC ± 0.127[.005] 4 PLC ± - ANGLES ± - | PRODUCT SPEC - | APPLICATION SPEC 114-2157 | | | |
| FOR ORDER ENTRY | 1-800-526-5142 | THIS DRAWING IS A CONTROLLED DOCUMENT FOR AMP INCORPORATED. IT IS SUBJECT TO CHANGE AND THE CONTROLLING ENGINEERING ORGANIZATION SHOULD BE CONTACTED FOR THE LATEST REVISION. | | MATERIAL 3 | FINISH 2 | WEIGHT - | SIZE A3 | CAGE CODE 00779 | DRAWING NO C=53548 |
| | | | | | CUSTOMER DRAWING | | SCALE 1:1 | SHEET 1 OF 1 | REV K1 |

X-ON Electronics

Largest Supplier of Electrical and Electronic Components

Click to view similar products for [Terminals](#) category:

Click to view products by [TE Connectivity](#) manufacturer:

Other Similar products are found below :

[00-054007-01074-6](#) [00-054007-70206-1](#) [00-054007-70210-8](#) [00-054007-70217-7](#) [00-054007-70226-9](#) [00-054007-70228-3](#) [00-054007-70248-1](#) [00-054007-70256-6](#) [00-054007-70301-3](#) [00-054007-70316-7](#) [00-054007-49560-4](#) [00-054007-70209-2](#) [00-054007-70225-2](#) [00-054007-70227-6](#) [00-054007-70231-3](#) [00-054007-70241-2](#) [00-054007-70242-9](#) [00-054007-70244-3](#) [00-054007-70246-7](#) [00-054007-70263-4](#) [00-054007-70288-7](#) [00-054007-70290-0](#) [00-054007-70300-6](#) [00-054007-70304-4](#) [01-2065-1-0216](#) [01-2900-1-04412](#) [00581P0075](#) [600TS-10](#) [60205-1](#) [604200-1](#) [605601-1](#) [60598-1-CUT-TAPE](#) [61314-6-C](#) [61810-3](#) [61-S](#) [61-SN](#) [626-0194](#) [62-NBM-A](#) [62-SN](#) [62-SP](#) [63-S](#) [640179-1](#) [M55155/059I03](#) [M55155/079C01](#) [M55155/099H02](#) [M55155/109H01](#) [M55155/109H02](#) [M55155/12XH05](#) [M55155/16XH02](#) [M55155/29-5S](#)