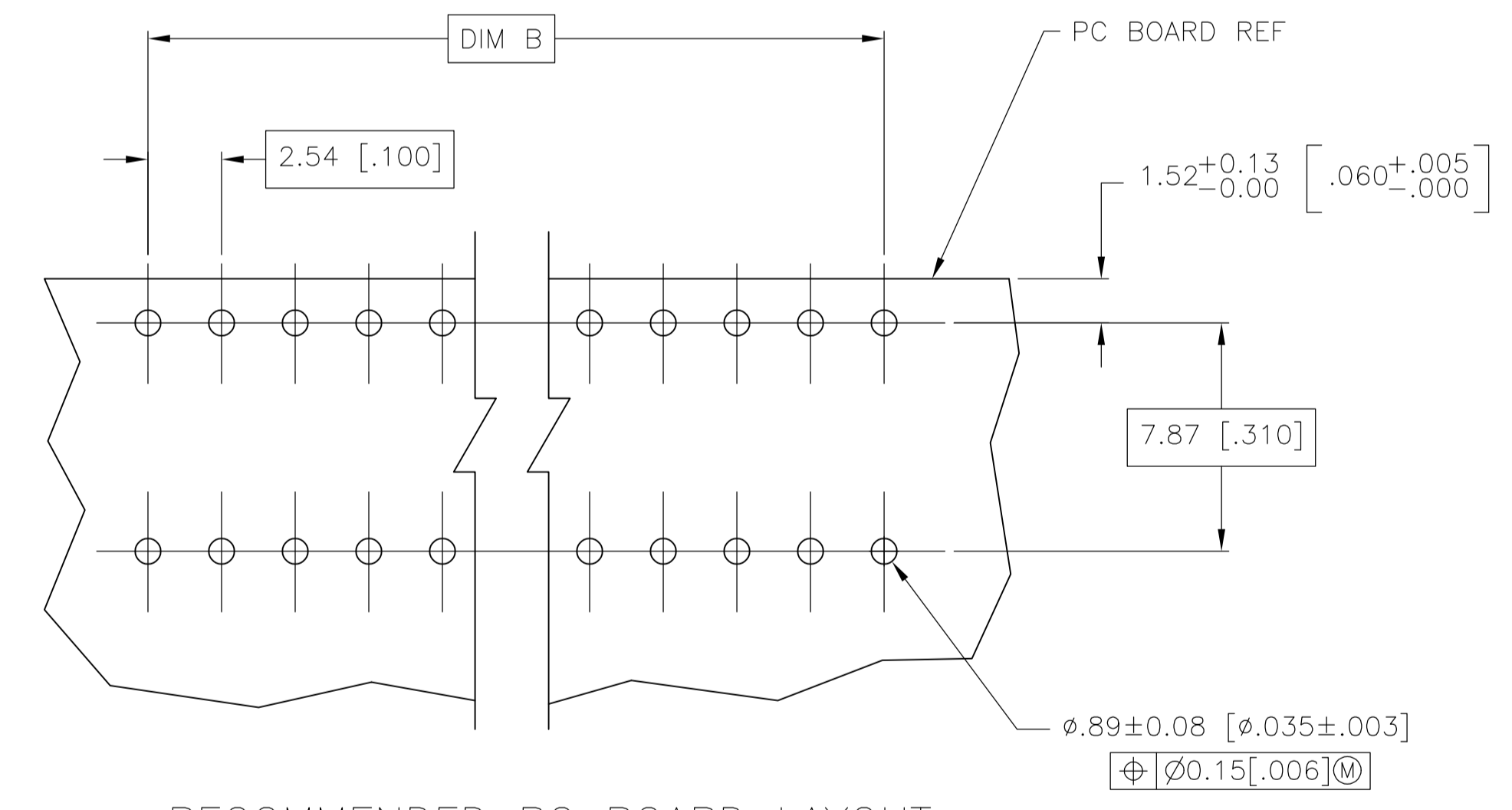
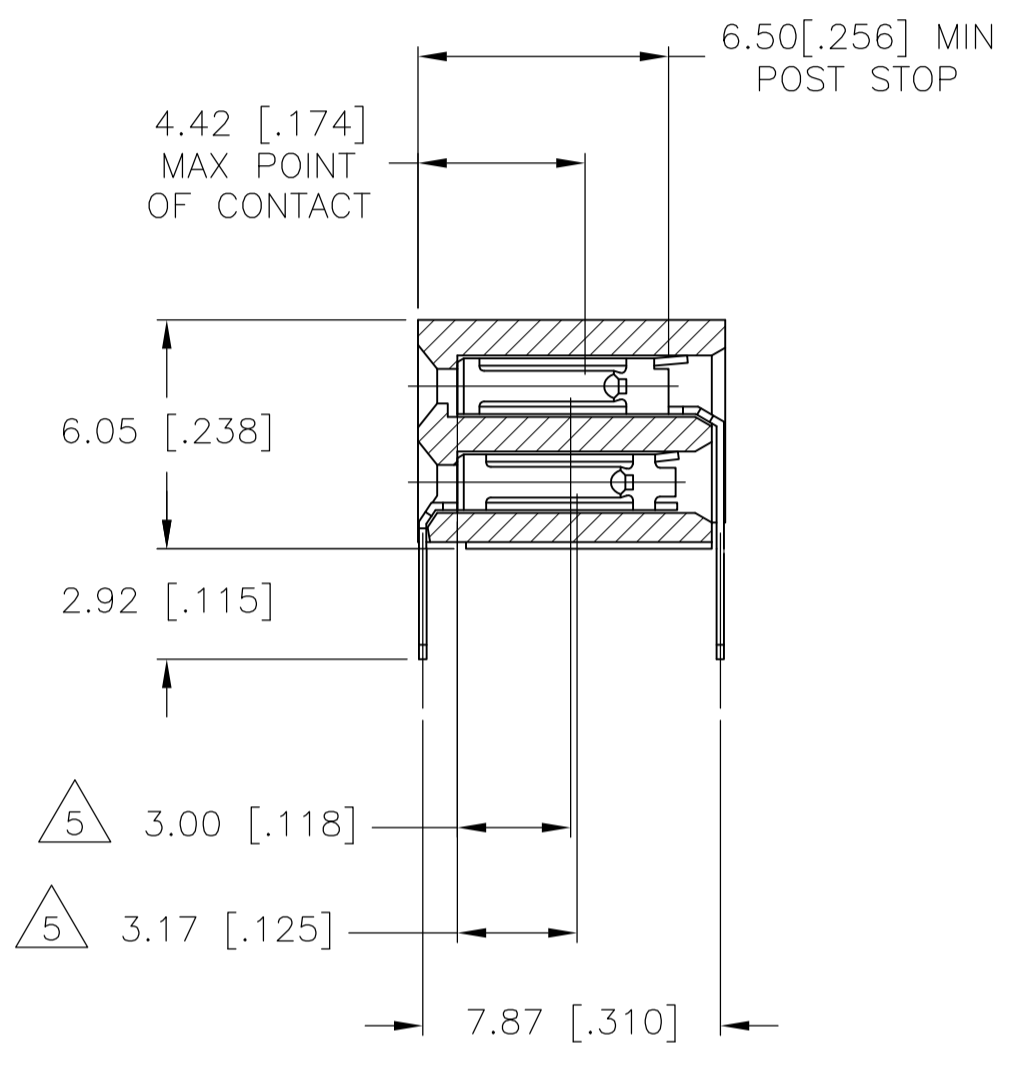
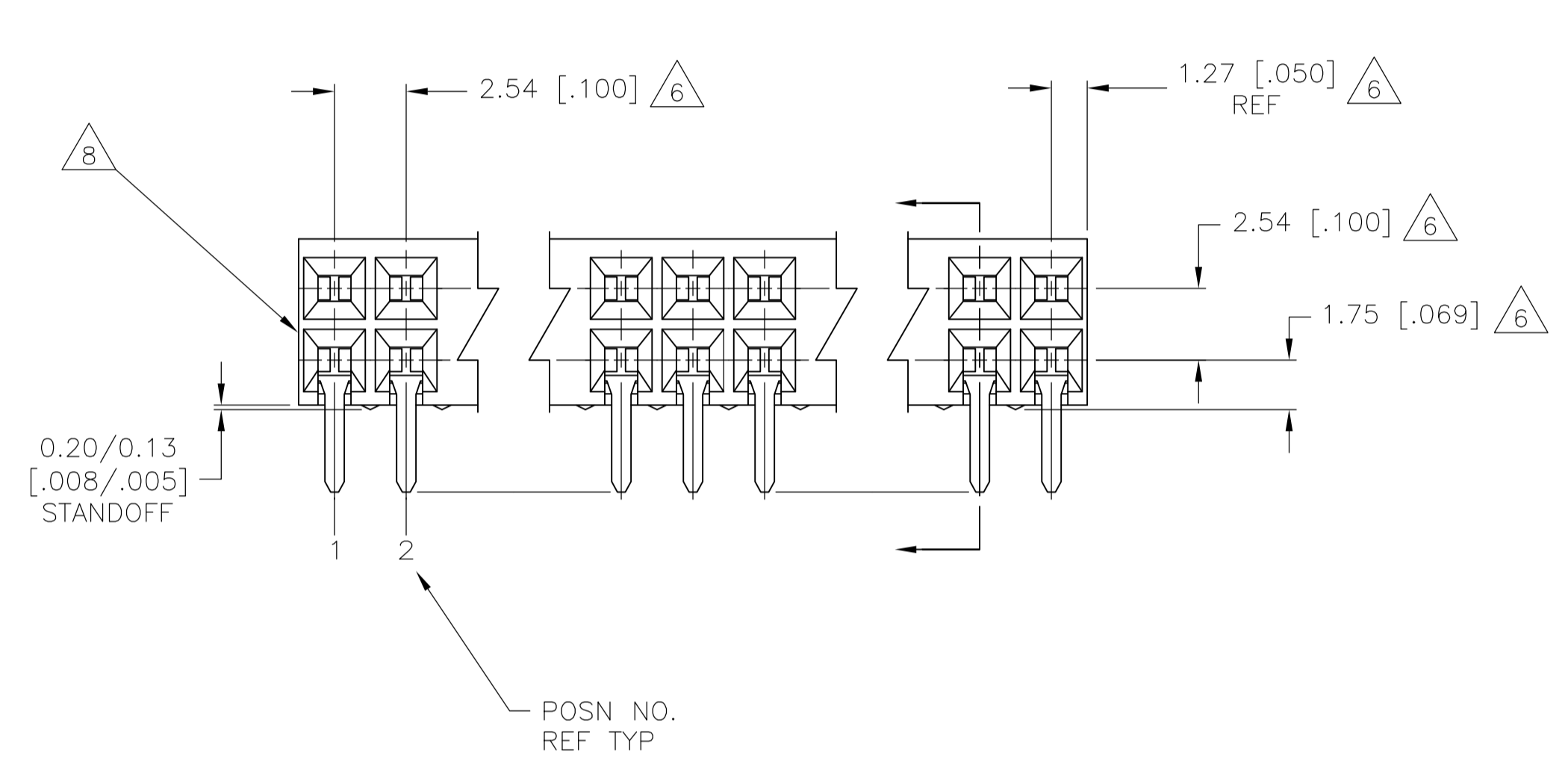
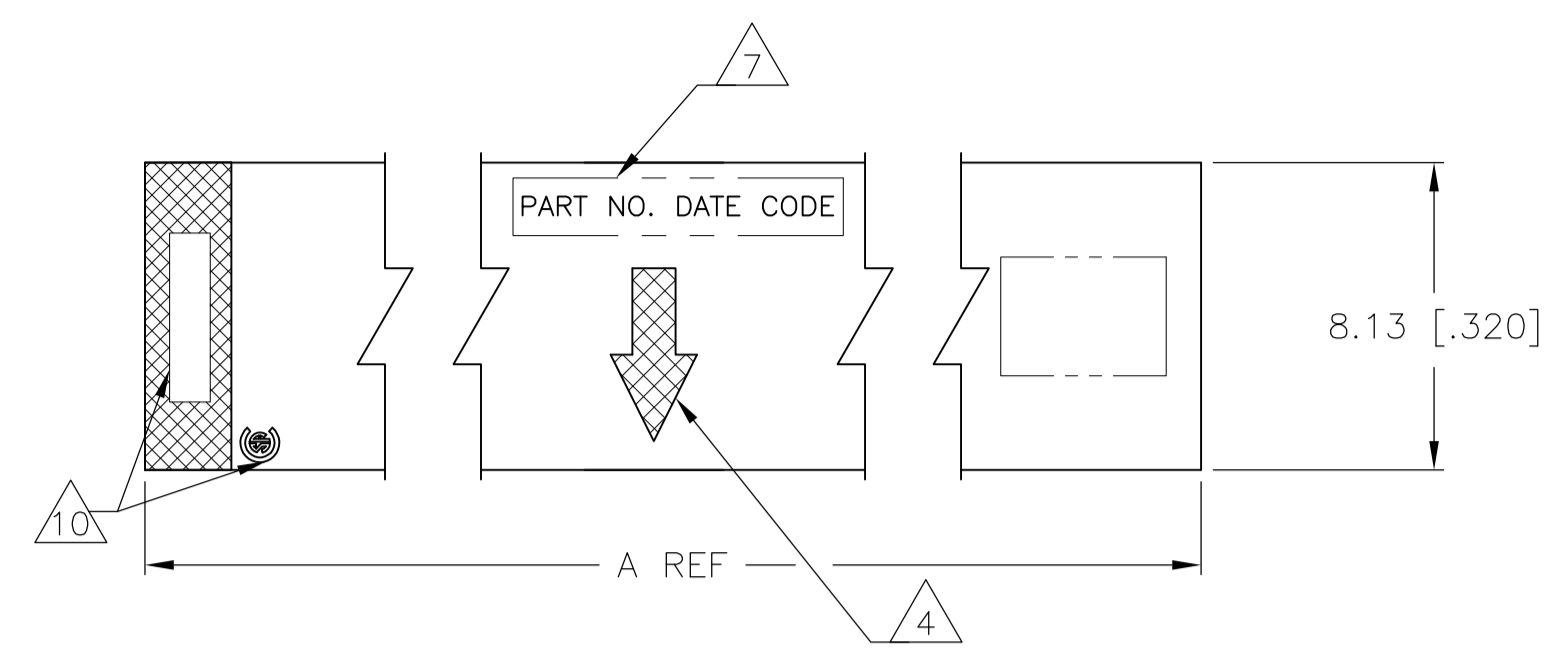


| LOC |    | DIST |         | REVISIONS         |         |     |      |
|-----|----|------|---------|-------------------|---------|-----|------|
| AD  | 00 | P    | LTR     | DESCRIPTION       | DATE    | DMN | APVO |
|     |    | Y6   | REVISED | PER ECO-13-005565 | 02APR13 | KH  | JO   |



RECOMMENDED PC BOARD LAYOUT

- 1 HOUSING MATERIAL: GLASS FILLED POLYESTER, COLOR- BLACK
- 2 CONTACT MATERIAL: PHOSPHOR BRONZE
- 3 CONTACT FINISH: 0.00076[.000030] THK DUPLEX PLATED GOLD ON CONTACT AREA, 0.00127[.000050] MIN THK BRIGHT TIN-LEAD ON SOLDERLEADS, ALL OVER 0.00127[.000050] NICKEL
- 4 MOLDED IN ARROW DESIGNATES THE MATING FACE OF THE CONNECTOR
- 5 POINT OF MEASUREMENT FOR PLATING THICKNESS OF CONTACT AREA
- 6 DIMENSIONS PERTAIN TO HOUSING CAVITY CENTERLINES
- 7 PART NUMBER AND DATE CODE MARKED IN APPROXIMATE LOCATION SHOWN, EITHER END.
- 8 ALTERNATE LOCATION FOR DATE CODE FOR 4 AND 6 POSITION.
- 10 TE LOGO AND CSA LOGO ARE MOLDED INTO HOUSING, THIS LOCATION.

|                           |                |     |             |                      |
|---------------------------|----------------|-----|-------------|----------------------|
| 10.16 [.400]              | 12.70 [.500]   | 10  | 6-535512-4  |                      |
| 7.62 [.300]               | 10.16 [.400]   | 8   | 6-535512-3  |                      |
| 5.08 [.200]               | 7.62 [.300]    | 6   | 6-535512-2  |                      |
| 2.54 [.100]               | 5.08 [.200]    | 4   | 6-535512-1  |                      |
| 162.56 [6.400]            | 165.10 [6.500] | 130 | 6-535512-0  |                      |
| 160.02 [6.300]            | 162.56 [6.400] | 128 | 5-535512-9  |                      |
| 157.48 [6.200]            | 160.02 [6.300] | 126 | 5-535512-8  |                      |
| 152.40 [6.000]            | 154.94 [6.100] | 122 | 5-535512-7  |                      |
| 149.86 [5.900]            | 152.40 [6.000] | 120 | 5-535512-6  |                      |
| 147.32 [5.800]            | 149.86 [5.900] | 118 | 5-535512-5  |                      |
| 144.78 [5.700]            | 147.32 [5.800] | 116 | 5-535512-4  |                      |
| 142.24 [5.600]            | 144.78 [5.700] | 114 | 5-535512-3  |                      |
| 139.70 [5.500]            | 142.24 [5.600] | 112 | 5-535512-2  |                      |
| 137.16 [5.400]            | 139.70 [5.500] | 110 | 5-535512-1  |                      |
| 134.62 [5.300]            | 137.16 [5.400] | 108 | 5-535512-0  |                      |
| 132.08 [5.200]            | 134.62 [5.300] | 106 | 4-535512-9  |                      |
| 129.54 [5.100]            | 132.08 [5.200] | 104 | 4-535512-8  |                      |
| 127.00 [5.000]            | 129.54 [5.100] | 102 | 4-535512-7  |                      |
| 124.46 [4.900]            | 127.00 [5.000] | 100 | 4-535512-6  |                      |
| SUPERCEDED BY 4-5535512-5 |                |     |             |                      |
| 121.92 [4.800]            | 124.46 [4.900] | 98  | 4-535512-5  |                      |
| 119.38 [4.700]            | 121.92 [4.800] | 96  | 4-535512-4  |                      |
| 116.84 [4.600]            | 119.38 [4.700] | 94  | 4-535512-3  |                      |
| 114.30 [4.500]            | 116.84 [4.600] | 92  | 4-535512-2  |                      |
| 111.76 [4.400]            | 114.30 [4.500] | 90  | 4-535512-1  |                      |
| 109.22 [4.300]            | 111.76 [4.400] | 88  | 4-535512-0  |                      |
| SUPERCEDED BY 3-5535512-9 |                |     |             |                      |
| 106.68 [4.200]            | 109.22 [4.300] | 86  | 3-535512-9  |                      |
| 104.14 [4.100]            | 106.68 [4.200] | 84  | 3-535512-8  |                      |
| 101.16 [4.000]            | 104.14 [4.100] | 82  | 3-535512-7  |                      |
| 91.44 [3.600]             | 93.98 [3.700]  | 74  | 3-535512-6  |                      |
| 88.90 [3.500]             | 91.44 [3.600]  | 72  | 3-535512-5  |                      |
| 83.82 [3.300]             | 86.36 [3.400]  | 68  | 3-535512-4  |                      |
| 81.28 [3.200]             | 83.82 [3.300]  | 66  | 3-535512-3  |                      |
| 78.74 [3.100]             | 81.28 [3.200]  | 64  | 3-535512-2  |                      |
| 76.20 [3.000]             | 78.74 [3.100]  | 62  | 3-535512-1  |                      |
| 73.66 [2.900]             | 76.20 [3.000]  | 60  | 3-535512-0  |                      |
| 71.12 [2.800]             | 73.66 [2.900]  | 58  | 2-535512-9  |                      |
| 63.50 [2.500]             | 66.04 [2.600]  | 52  | 2-535512-8  |                      |
| 55.88 [2.200]             | 58.42 [2.300]  | 46  | 2-535512-7  |                      |
| 50.8 [2.000]              | 53.34 [2.100]  | 42  | 2-535512-6  |                      |
| 48.26 [1.900]             | 50.8 [2.000]   | 40  | 2-535512-5  |                      |
| 45.72 [1.800]             | 48.26 [1.900]  | 38  | 2-535512-4  |                      |
| 38.10 [1.500]             | 40.64 [1.600]  | 32  | 2-535512-3  |                      |
| 35.56 [1.400]             | 38.10 [1.500]  | 30  | 2-535512-2  |                      |
| 33.02 [1.300]             | 35.56 [1.400]  | 28  | 2-535512-1  |                      |
| 30.48 [1.200]             | 33.02 [1.300]  | 26  | 2-535512-0  |                      |
| 25.40 [1.000]             | 27.94 [1.100]  | 22  | 1-535512-9  |                      |
| 17.78 [.700]              | 20.32 [.800]   | 16  | 1-535512-8  |                      |
| 15.24 [.600]              | 17.78 [.700]   | 14  | 1-535512-7  |                      |
| 20.32 [.800]              | 22.86 [.900]   | 18  | 1-535512-6  |                      |
| 58.42 [2.300]             | 60.96 [2.400]  | 48  | 1-535512-5  |                      |
| 154.94 [6.100]            | 157.48 [6.200] | 124 | 1-535512-4  |                      |
| 99.06 [3.900]             | 101.16 [4.000] | 80  | 1-535512-3  |                      |
| 96.52 [3.800]             | 99.06 [3.900]  | 78  | 1-535512-2  |                      |
| 93.98 [3.700]             | 96.52 [3.800]  | 76  | 1-535512-1  |                      |
| 86.36 [3.400]             | 88.90 [3.500]  | 70  | 1-535512-0  |                      |
| 68.58 [2.700]             | 71.12 [2.800]  | 56  | 535512-9    |                      |
| 66.04 [2.600]             | 68.58 [2.700]  | 54  | 535512-8    |                      |
| 60.96 [2.400]             | 63.50 [2.500]  | 50  | 535512-7    |                      |
| 53.34 [2.100]             | 55.88 [2.200]  | 44  | 535512-6    |                      |
| 43.18 [1.700]             | 45.72 [1.800]  | 36  | 535512-5    |                      |
| 40.64 [1.600]             | 43.18 [1.700]  | 34  | 535512-4    |                      |
| 27.94 [1.100]             | 30.48 [1.200]  | 24  | 535512-3    |                      |
| 22.86 [.900]              | 25.40 [1.000]  | 20  | 535512-2    |                      |
| 12.70 [.500]              | 15.24 [.600]   | 12  | 535512-1    |                      |
| B                         |                | A   | NO. OF POSN | ASSEMBLY PART NUMBER |

THIS DRAWING IS A CONTROLLED DOCUMENT.

DRN R BROWN 17MAY02  
CHK J OLSON 17MAY02  
APVO J OLSON 17MAY02

TE Connectivity

AMPMODU MOD II RECEPTACLE ASSEMBLY, HORIZONTAL, .100 CL, 2 ROW, CLOSED-ENTRY, SHORT POINT OF CONTACT, END-TO-END STACKABLE

SIZE A1 CASE CODE DRAWING NO. 00779 C=535512

WEIGHT --

CUSTOMER DRAWING SCALE 5:1 SHEET 1 OF 1 REV Y6

## X-ON Electronics

Largest Supplier of Electrical and Electronic Components

*Click to view similar products for [Headers & Wire Housings](#) category:*

*Click to view products by [TE Connectivity](#) manufacturer:*

Other Similar products are found below :

[892-18-020-10-001101](#) [58102-G61-06LF](#) [582553-1](#) [0009485154](#) [009176003701906](#) [0050291907](#) [LY20-4P-DT1-P1E-BR](#) [02.125.8002.8](#)  
[609-3404](#) [61062-3](#) [61082-181009](#) [622-3653LF](#) [63453-116](#) [636-1030](#) [636-1427](#) [636-3427](#) [636-4007](#) [641938-9](#) [641991-4](#) [644827-2](#) [65817-010LF](#) [65817-015LF](#) [65863-015LF](#) [66207-023LF](#) [67095-007LF](#) [67601157](#) [68645-018](#) [68648-049](#) [70.362.1628.0](#) [70-4210](#) [70-4226B](#) [70-4853B](#) [707-5020](#) [707-5028](#) [71.350.2428.0](#) [71918-208LF](#) [71961-016LF](#) [733-134](#) [733-162](#) [754199-000](#) [760-3052](#) [787-8014-00](#) [79531-3000](#)  
[FCN-360C032-B](#) [FCN-367T-T012/H](#) [FCN-723D010/2](#) [80.063.4001.1](#) [800-90-001-10-001000](#) [800-90-010-10-002000](#) [801-43-002-10-013000](#)