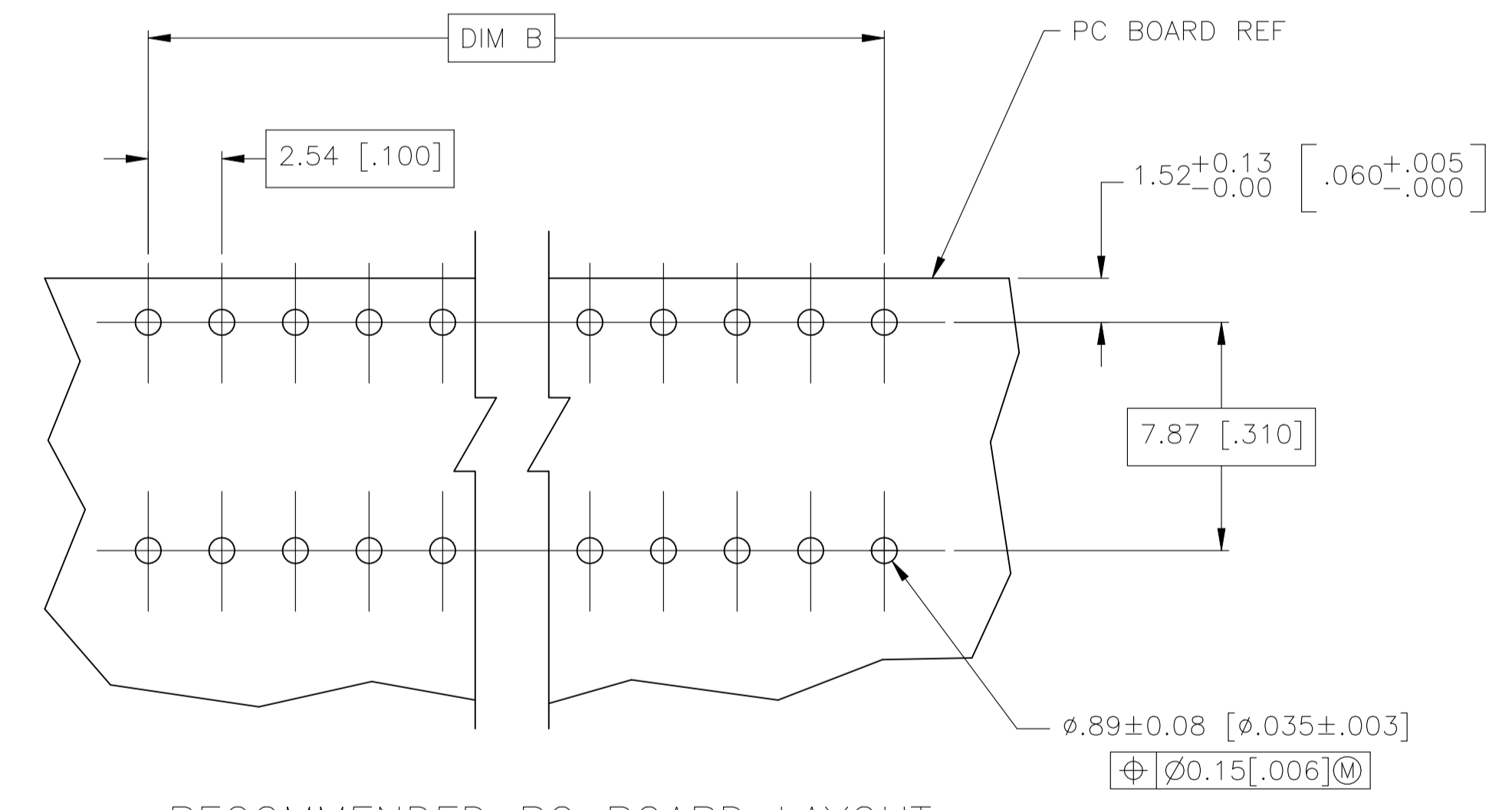
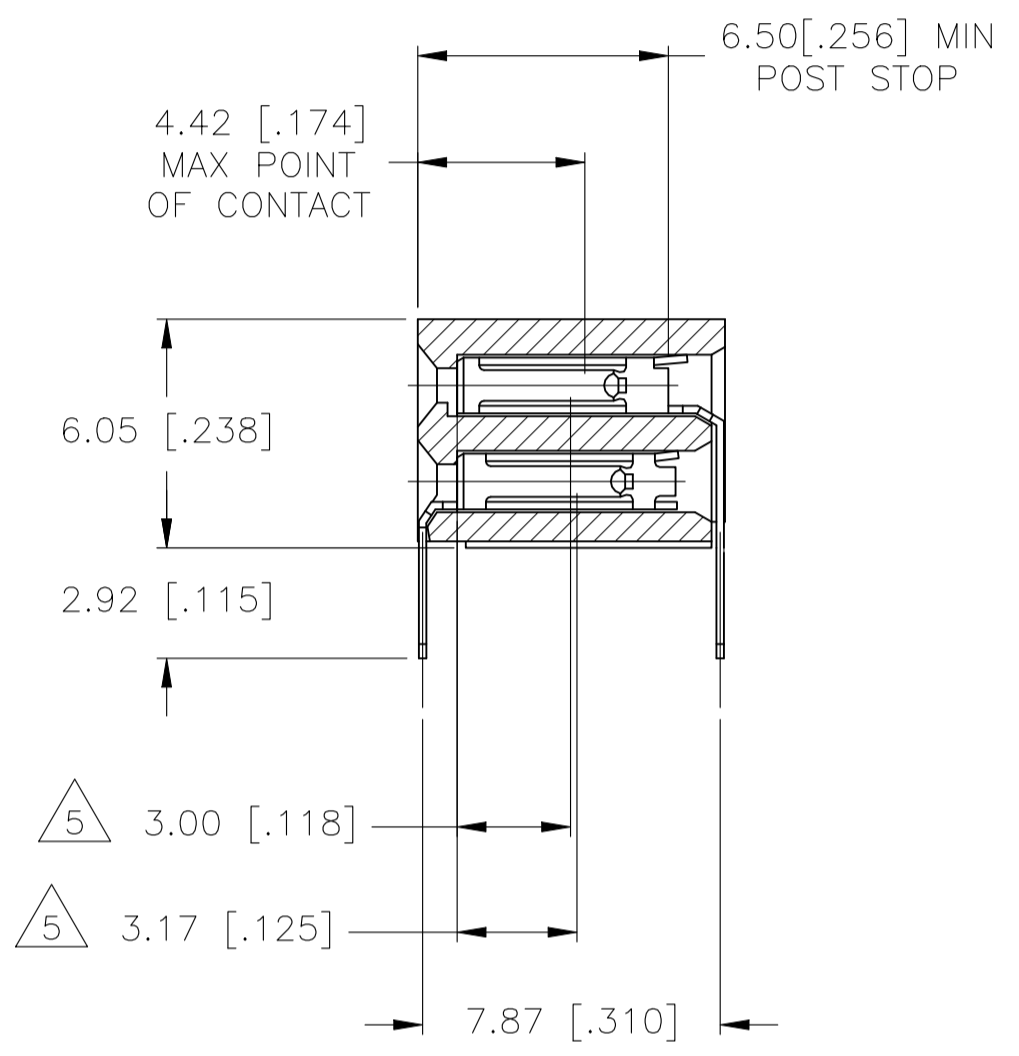
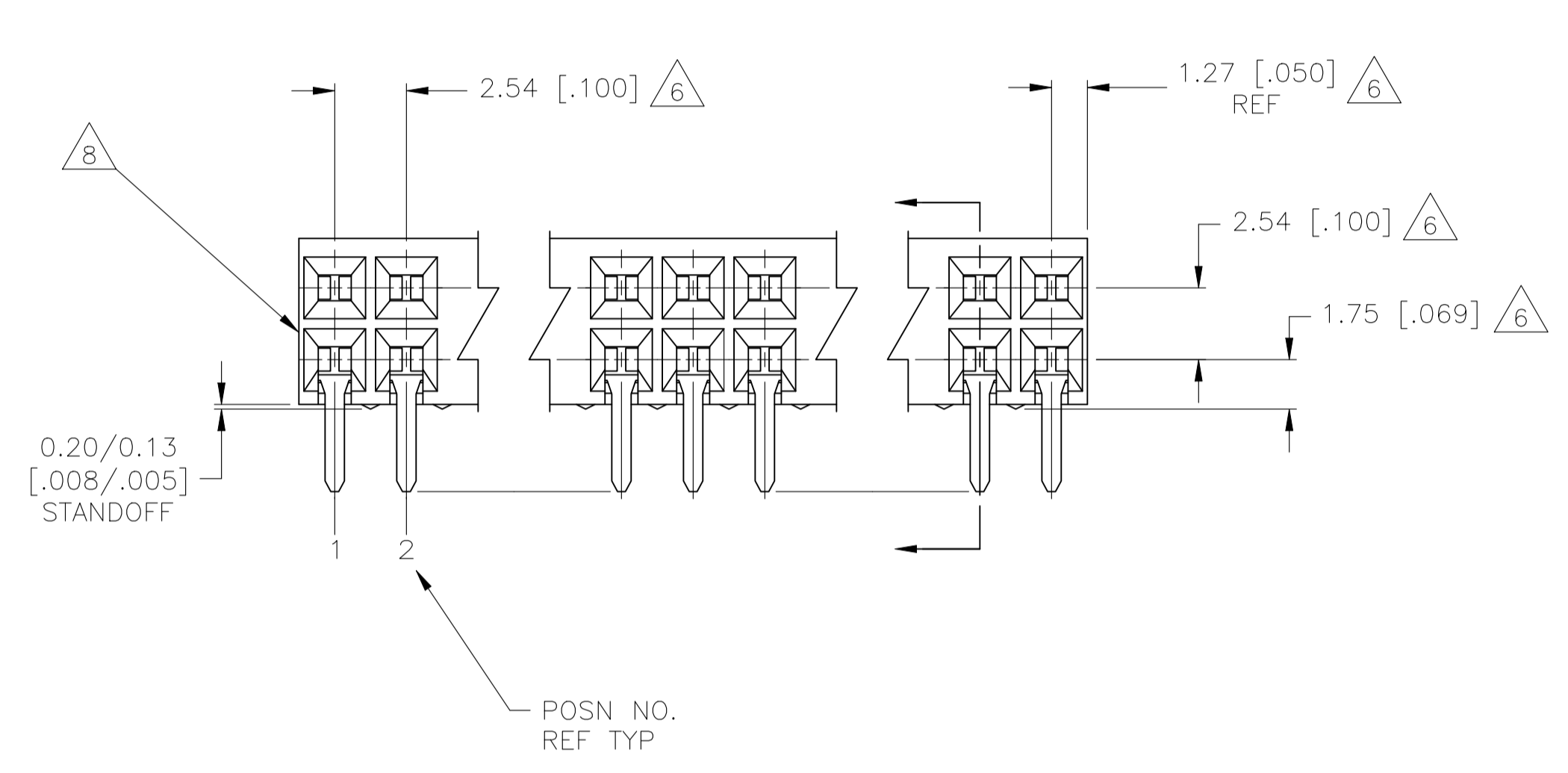
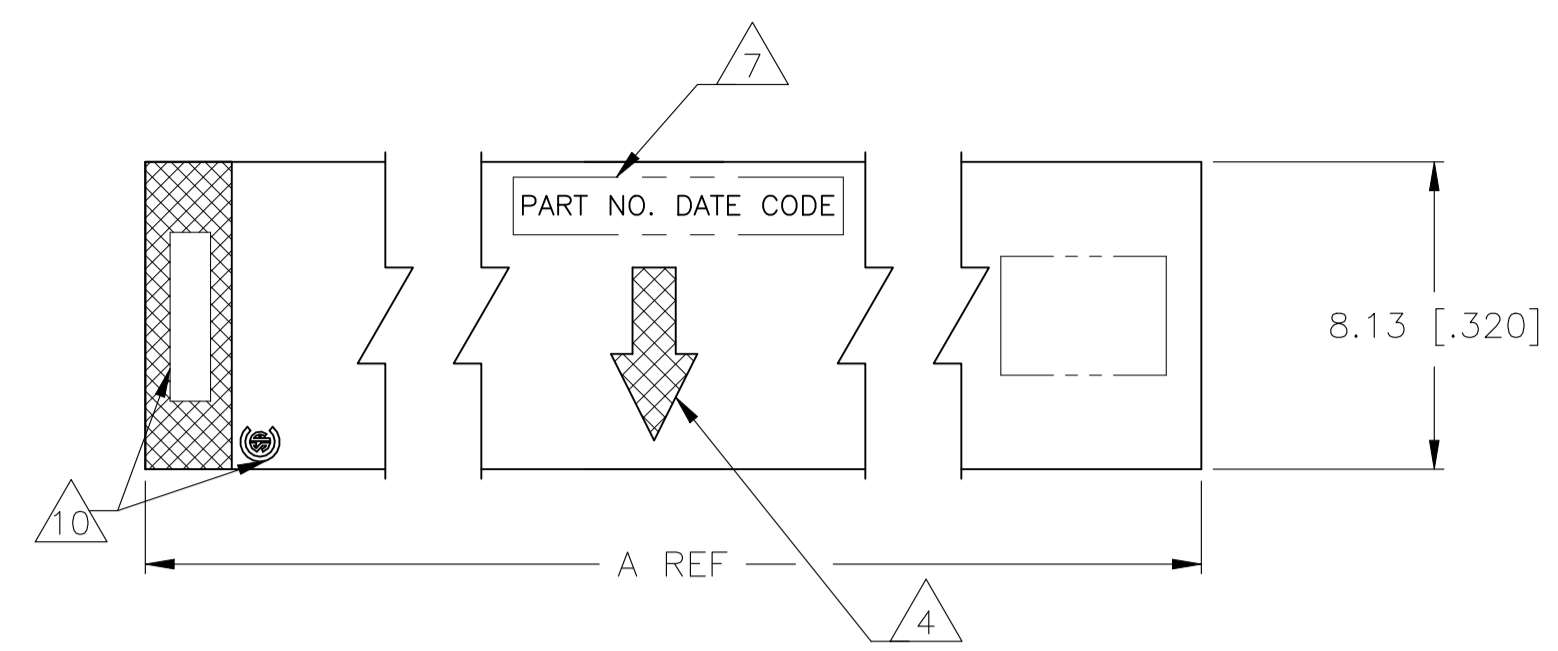


REVISIONS				
REV	DATE	DESCRIPTION	BY	APPV
Z	08NOV2021	RESIN SUPPLIER CHANGE FOR THE HOUSING	SCB	KJK



RECOMMENDED PC BOARD LAYOUT

- 1 HOUSING MATERIAL: GLASS FILLED POLYESTER, COLOR- BLACK
- 2 CONTACT MATERIAL: PHOSPHOR BRONZE
- 3 CONTACT FINISH: 0.00076[.000030] THK DUPLEX PLATED GOLD ON CONTACT AREA, 0.00127[.000050] MIN THK BRIGHT TIN-LEAD ON SOLDERLEADS, ALL OVER 0.00127[.000050] NICKEL
- 4 MOLDED IN ARROW DESIGNATES THE MATING FACE OF THE CONNECTOR
- 5 POINT OF MEASUREMENT FOR PLATING THICKNESS OF CONTACT AREA
- 6 DIMENSIONS PERTAIN TO HOUSING CAVITY CENTERLINES
- 7 PART NUMBER AND DATE CODE MARKED IN APPROXIMATE LOCATION SHOWN, EITHER END.
- 8 ALTERNATE LOCATION FOR DATE CODE FOR 4 AND 6 POSITION.
- 10 TE LOGO AND CSA LOGO ARE MOLDED INTO HOUSING, THIS LOCATION.

NO. OF POSN	ASSEMBLY PART NUMBER	B	A
10	6-535512-4	10.16 [.400]	12.70 [.500]
8	6-535512-3	7.62 [.300]	10.16 [.400]
6	6-535512-2	5.08 [.200]	7.62 [.300]
4	6-535512-1	2.54 [.100]	5.08 [.200]
130	6-535512-0	162.56 [6.400]	165.10 [6.500]
128	5-535512-9	160.02 [6.300]	162.56 [6.400]
126	5-535512-8	157.48 [6.200]	160.02 [6.300]
122	5-535512-7	152.40 [6.000]	154.94 [6.100]
120	5-535512-6	149.86 [5.900]	152.40 [6.000]
118	5-535512-5	147.32 [5.800]	149.86 [5.900]
116	5-535512-4	144.78 [5.700]	147.32 [5.800]
114	5-535512-3	142.24 [5.600]	144.78 [5.700]
112	5-535512-2	139.70 [5.500]	142.24 [5.600]
110	5-535512-1	137.16 [5.400]	139.70 [5.500]
108	5-535512-0	134.62 [5.300]	137.16 [5.400]
106	4-535512-9	132.08 [5.200]	134.62 [5.300]
104	4-535512-8	129.54 [5.100]	132.08 [5.200]
102	4-535512-7	127.00 [5.000]	129.54 [5.100]
100	4-535512-6	124.46 [4.900]	127.00 [5.000]
98	4-535512-5	121.92 [4.800]	124.46 [4.900]
96	4-535512-4	119.38 [4.700]	121.92 [4.800]
94	4-535512-3	116.84 [4.600]	119.38 [4.700]
92	4-535512-2	114.30 [4.500]	116.84 [4.600]
90	4-535512-1	111.76 [4.400]	114.30 [4.500]
88	4-535512-0	109.22 [4.300]	111.76 [4.400]
86	3-535512-9	106.68 [4.200]	109.22 [4.300]
84	3-535512-8	104.14 [4.100]	106.68 [4.200]
82	3-535512-7	101.60 [4.000]	104.14 [4.100]
74	3-535512-6	91.44 [3.600]	93.98 [3.700]
72	3-535512-5	88.90 [3.500]	91.44 [3.600]
68	3-535512-4	83.82 [3.300]	86.36 [3.400]
66	3-535512-3	81.28 [3.200]	83.82 [3.300]
64	3-535512-2	78.74 [3.100]	81.28 [3.200]
62	3-535512-1	76.20 [3.000]	78.74 [3.100]
60	3-535512-0	73.66 [2.900]	76.20 [3.000]
58	2-535512-9	71.12 [2.800]	73.66 [2.900]
52	2-535512-8	63.50 [2.500]	66.04 [2.600]
46	2-535512-7	55.88 [2.200]	58.42 [2.300]
42	2-535512-6	50.8 [2.000]	53.34 [2.100]
40	2-535512-5	48.26 [1.900]	50.8 [2.000]
38	2-535512-4	45.72 [1.800]	48.26 [1.900]
32	2-535512-3	38.10 [1.500]	40.64 [1.600]
30	2-535512-2	35.56 [1.400]	38.10 [1.500]
28	2-535512-1	33.02 [1.300]	35.56 [1.400]
26	2-535512-0	30.48 [1.200]	33.02 [1.300]
22	1-535512-9	25.40 [1.000]	27.94 [1.100]
16	1-535512-8	17.78 [.700]	20.32 [.800]
14	1-535512-7	15.24 [.600]	17.78 [.700]
18	1-535512-6	20.32 [.800]	22.86 [.900]
48	1-535512-5	58.42 [2.300]	60.96 [2.400]
124	1-535512-4	154.94 [6.100]	157.48 [6.200]
80	1-535512-3	99.06 [3.900]	101.16 [4.000]
78	1-535512-2	96.52 [3.800]	99.06 [3.900]
76	1-535512-1	93.98 [3.700]	96.52 [3.800]
70	1-535512-0	86.36 [3.400]	88.90 [3.500]
56	535512-9	68.58 [2.700]	71.12 [2.800]
54	535512-8	66.04 [2.600]	68.58 [2.700]
50	535512-7	60.96 [2.400]	63.50 [2.500]
44	535512-6	53.34 [2.100]	55.88 [2.200]
36	535512-5	43.18 [1.700]	45.72 [1.800]
34	535512-4	40.64 [1.600]	43.18 [1.700]
24	535512-3	27.94 [1.100]	30.48 [1.200]
20	535512-2	22.86 [.900]	25.40 [1.000]
12	535512-1	12.70 [.500]	15.24 [.600]

THIS DRAWING IS A CONTROLLED DOCUMENT.

DIMENSIONS: mm	TOLERANCES UNLESS OTHERWISE SPECIFIED:	DIN R BROWN 17MAY02	TE Connectivity
0 PLC ± -	1 PLC ± -	CHK J OLSON 17MAY02	AMPMODU MOD II RECEPTACLE ASSEMBLY, HORIZONTAL, .100 CL, 2 ROW, CLOSED-ENTRY, SHORT POINT OF CONTACT, END-TO-END STACKABLE
2 PLC ± -	3 PLC ± 0.13 [.005]	APVD J OLSON 17MAY02	NAME
4 PLC ± -	ANGLES ± -	PRODUCT SPEC	APPLICATION SPEC
MATERIAL	FINISH	SIZE	CAGE CODE DRAWING NO
1 2	3	WEIGHT	A1 00779 C=535512
CUSTOMER DRAWING		SCALE 5:1	SHEET 1 OF 1 REV Z

X-ON Electronics

Largest Supplier of Electrical and Electronic Components

Click to view similar products for [Headers & Wire Housings](#) category:

Click to view products by [TE Connectivity](#) manufacturer:

Other Similar products are found below :

[57102-F02-18ULF](#) [58102-G61-06LF](#) [582553-1](#) [009176003701906](#) [0050291907](#) [02.125.8002.8](#) [609-3404](#) [61062-3](#) [622-0430](#) [622-3653LF](#)
[63453-116](#) [636-1030](#) [636-1427](#) [636-3427](#) [636-4007](#) [641938-9](#) [65495-038](#) [65692-001LF](#) [65781-018](#) [65781-047](#) [65817-010LF](#) [65817-015LF](#)
[66207-023LF](#) [67095-007LF](#) [68631-112](#) [68645-018](#) [68648-049](#) [699319-000](#) [M90C108951C](#) [70.362.1628.0](#) [70-4210](#) [70-4226B](#) [70-4853B](#)
[707-5020](#) [707-5028](#) [71.350.2428.0](#) [71961-016LF](#) [733-134](#) [754199-000](#) [760-3052](#) [787-8014-00](#) [80.063.4001.1](#) [800-90-001-10-001000](#)
[801-43-002-10-013000](#) [801-43-006-10-002000](#) [803-41-018-10-001000](#) [803-43-014-20-001000](#) [803-43-024-10-001000](#) [803-93-012-10-001000](#)
[8-1437020-4](#)