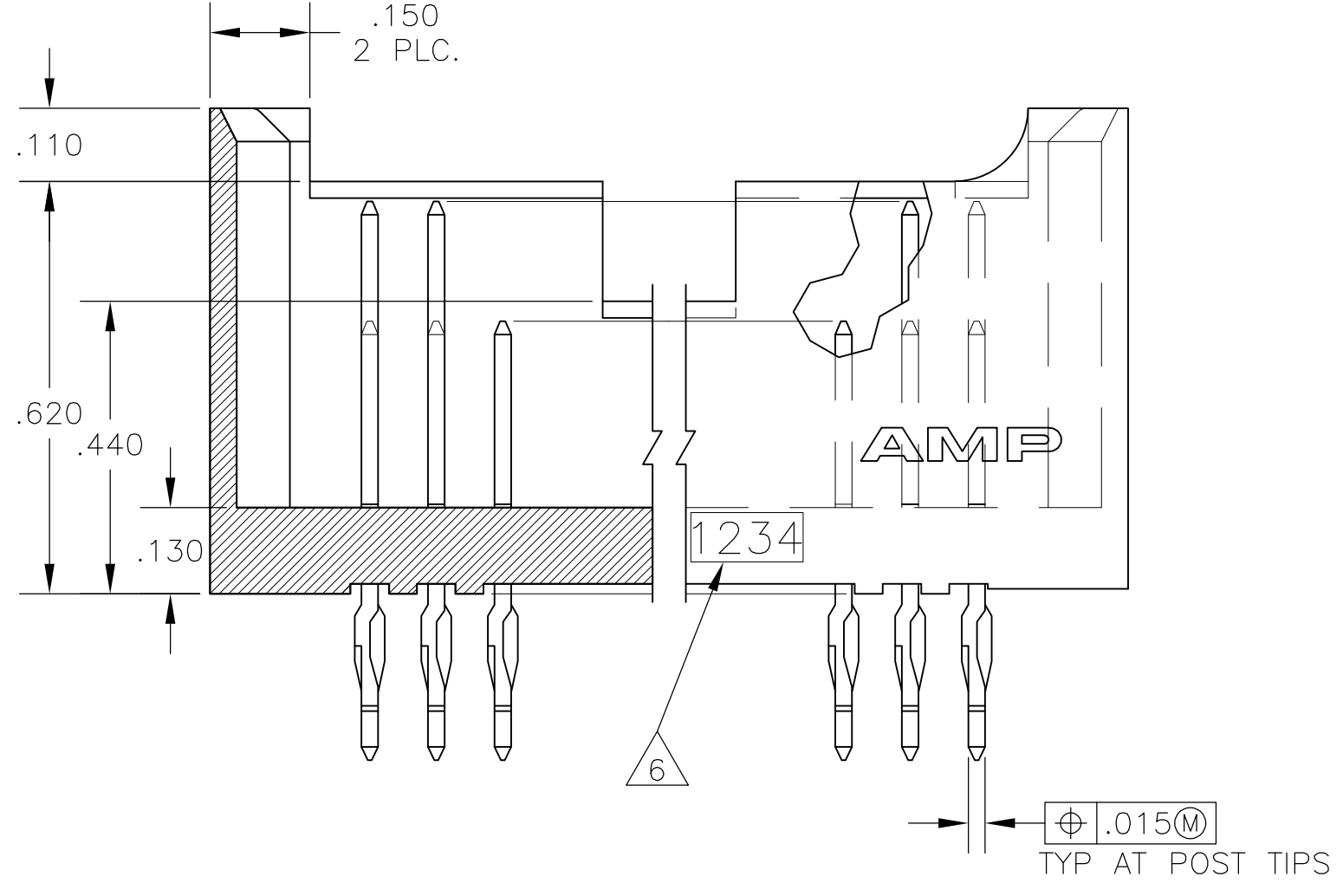
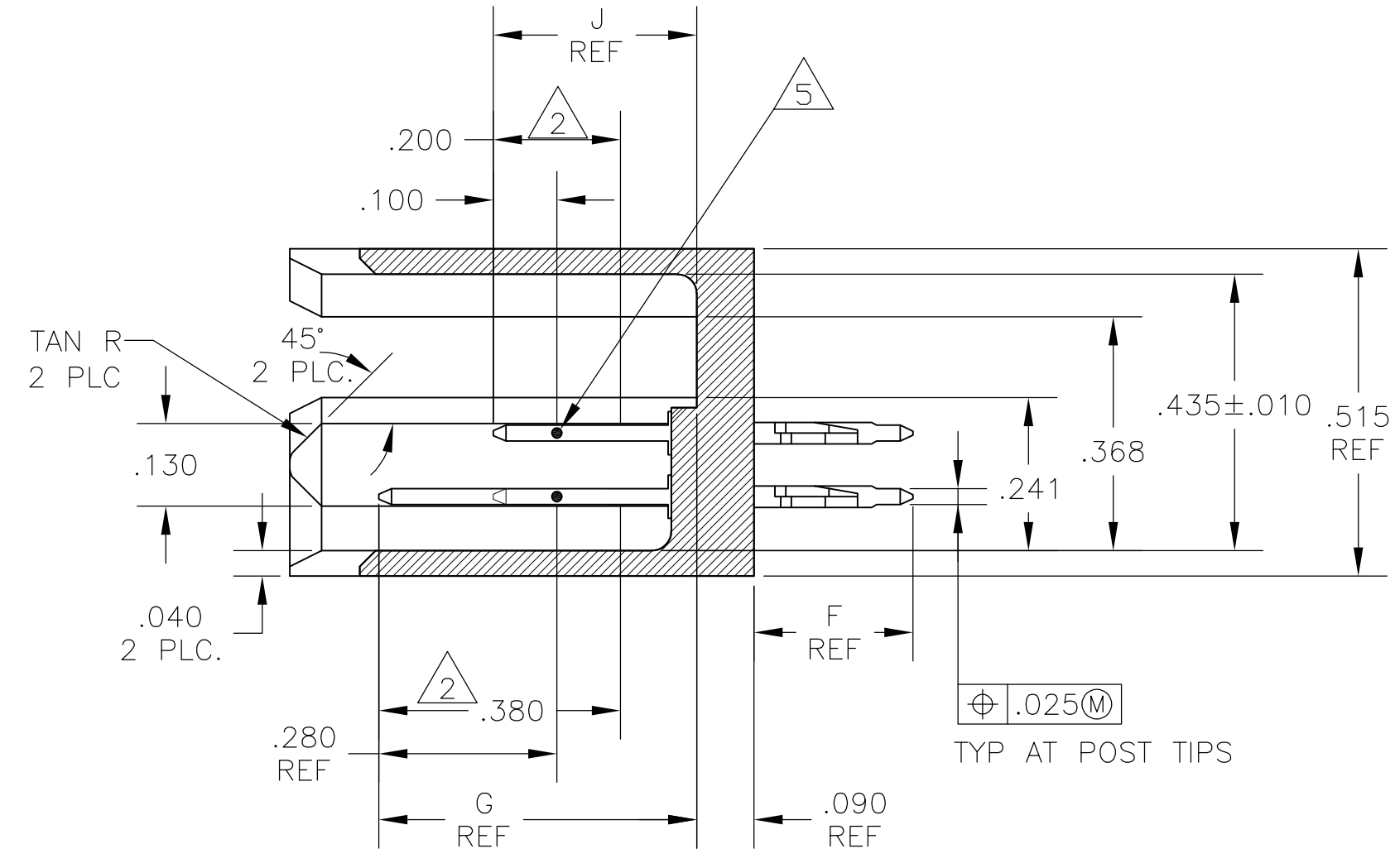
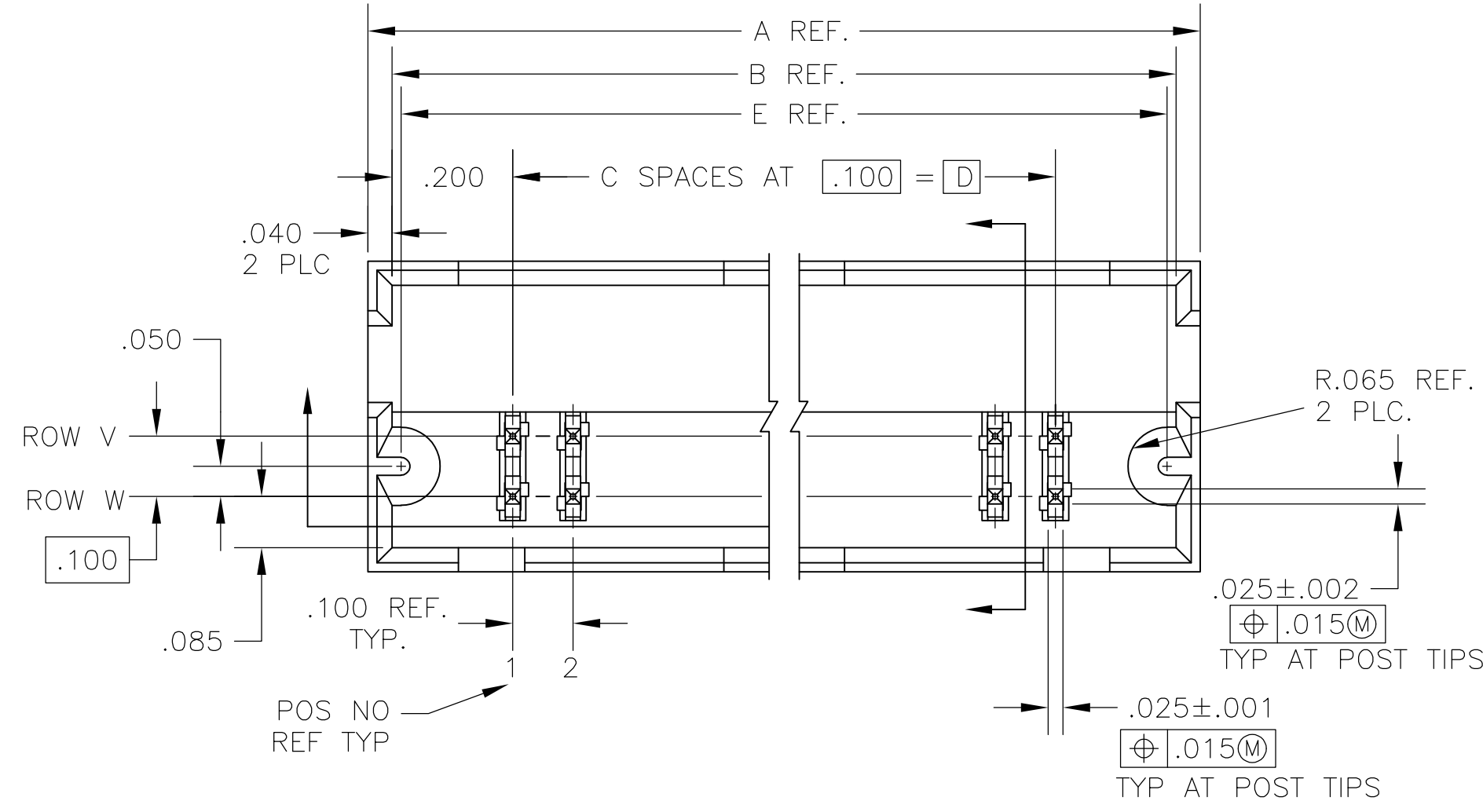


THIS DRAWING IS UNPUBLISHED. RELEASED FOR PUBLICATION
 © COPYRIGHT - By - ALL RIGHTS RESERVED.

LOC		DIST		REVISIONS			
P	LTR	DESCRIPTION		DATE	DWN	APVD	
AD	39	A1	REVISED PER ECO-12-019332		07NOV12	KH	JO



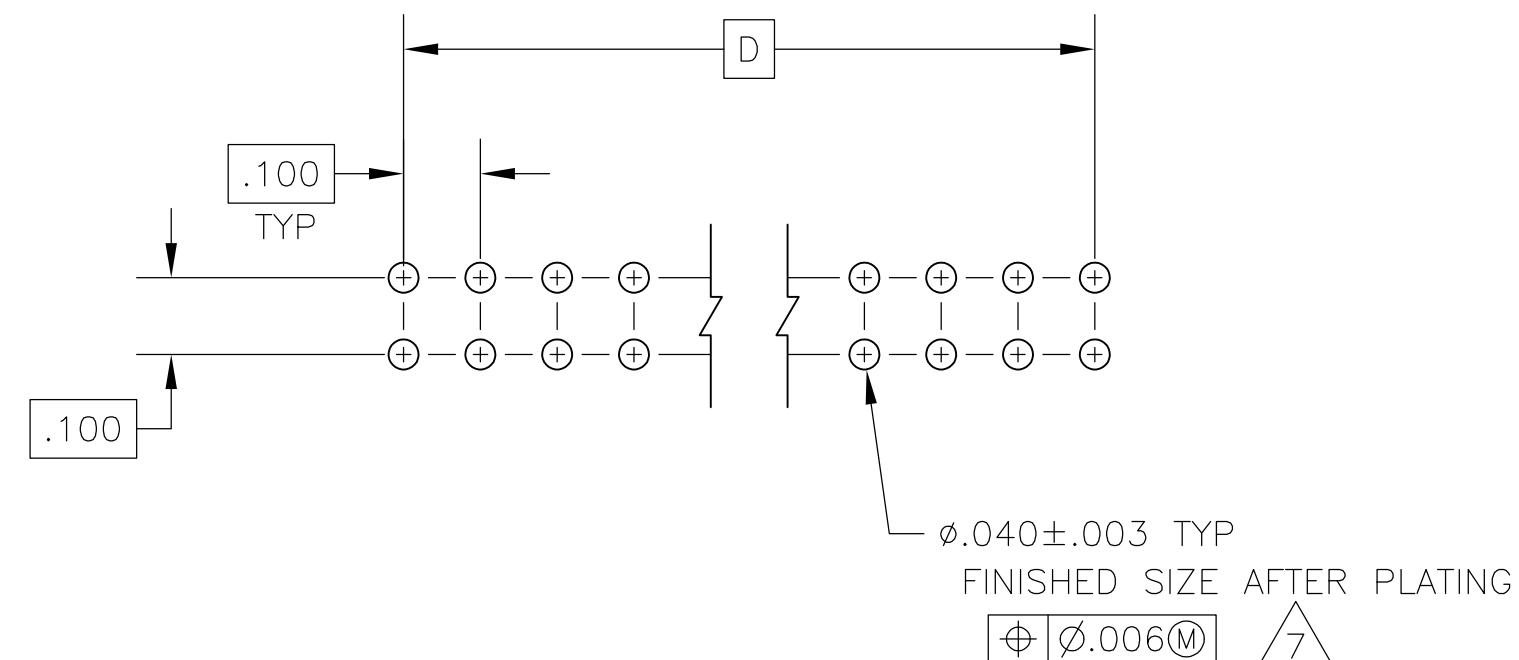
(SEE SHEET 2 FOR NOTES, TABLE & PCB LAYOUT.)

THIS DRAWING IS A CONTROLLED DOCUMENT.		DWN	D BIECHLER	09/20/89	 TE Connectivity																	
DIMENSIONS: INCHES		CHK	D SARVER	09/20/89																		
TOLERANCES UNLESS OTHERWISE SPECIFIED:		APVD	D SARVER	09/20/89																		
<table border="1"> <tr><td>0 PLC</td><td>±</td><td>-</td></tr> <tr><td>1 PLC</td><td>±</td><td>-</td></tr> <tr><td>2 PLC</td><td>±</td><td>-</td></tr> <tr><td>3 PLC</td><td>±</td><td>.005</td></tr> <tr><td>4 PLC</td><td>±</td><td>-</td></tr> <tr><td>ANGLES</td><td>±</td><td>-</td></tr> </table>		0 PLC	±	-		1 PLC	±	-	2 PLC	±	-	3 PLC	±	.005	4 PLC	±	-	ANGLES	±	-	PRODUCT SPEC	NAME
0 PLC	±	-																				
1 PLC	±	-																				
2 PLC	±	-																				
3 PLC	±	.005																				
4 PLC	±	-																				
ANGLES	±	-																				
MATERIAL HOUSING: 3	CONTACTS: 4	FINISH	CONTACTS: SEE TABLE		APPLICATION SPEC																	
CUSTOMER DRAWING		WEIGHT	-		SIZE																	
SCALE 4:1		SHEET 1 OF 2		REV A1	RESTRICTED TO																	

THIS DRAWING IS UNPUBLISHED. RELEASED FOR PUBLICATION
 © COPYRIGHT - By - ALL RIGHTS RESERVED.

LOC		DIST		REVISIONS					
AD		39		P	LTR	DESCRIPTION	DATE	DWN	APVD
				-	-	SEE SHEET 1	-	-	-

- 1 .000030 GOLD ON CONTACT AREA, .000100-.000200 BRIGHT TIN-LEAD ON SOLDER TAILS, ALL OVER .000050 NICKEL.
- 2 POST CONTACT AREA
- 3 GLASS-FILLED NYLON, COLOR-BLACK
- 4 COPPER ALLOY
- 5 POINT OF MEASUREMENT FOR PLATING THICKNESS
- 6 RECESSED DATE CODE AND CSA LOGO
- 7 RECOMMENDED DRILL SIZE: 1.15mm, .0452 #.0010.
- 8 .000030 GOLD ON CONTACT AREA, .000100-.000200 MATTE TIN ON SOLDER LEADS, ALL OVER .000050 NICKEL.
- 9 ROHS 2002/95/EC COMPLIANT



RECOMMENDED PC BOARD LAYOUT

9	4,6	4,6	15,16,17	8	.320	.500	.250	1.970	1.600	16	2.000	2.080	34	5-535932-1
	4,6	4,6	15,16,17		1	.320	.500	.250	1.970	1.600	16	2.000	2.080	34
	ROW V	ROW W	ROW W										NO. OF POSN	PART NUMBER
	POSITION NO. OMITTED		SELECT LOADING .500 HIGH POST	FINISH	J	G	F	E	D	C	B	A		

THIS DRAWING IS A CONTROLLED DOCUMENT.

DWN	D BIECHLER	09/20/89
CHK	D SARVER	09/20/89
APVD	-	-
PRODUCT SPEC	NAME	
APPLICATION SPEC	-	
WEIGHT	-	SCALE 4:1
CUSTOMER DRAWING		SHEET 2 of 2

TE Connectivity

HEADER ASSEMBLY, MOD II, DOUBLE-ROW, .100x.100 CL, .025 SQ COMPLIANT PIN POSTS, WITH GUIDE PINS, SELECT LOADING

SIZE A2 CAGE CODE 00779 DRAWING NO. C=535932 RESTRICTED TO -

REVISIONS: 1

X-ON Electronics

Largest Supplier of Electrical and Electronic Components

Click to view similar products for [Headers & Wire Housings](#) category:

Click to view products by [TE Connectivity](#) manufacturer:

Other Similar products are found below :

[95000-104TRLF](#) [10135584-644402LF](#) [DF62W-EP2022PCA](#) [95000-106TRLF](#) [DF62W-2022SCA](#) [DF62W-EP2022PC](#) [2203348](#) [DF62W-2022SC](#) [1084018](#) [1029039](#) [1084017](#) [802-10-012-10-002000](#) [1112640](#) [1112639](#) [000-34000](#) [0009482033](#) [0009507031](#) [57102-S06-03LF](#) [57202-S52-04LF](#) [PCN6-15S-2.5E](#) [0039019024](#) [58102-G61-06LF](#) [582553-1](#) [0009508121](#) [0050291907](#) [018731A](#) [LY20-4P-DT1-P1E-BR](#) [02.125.8002.8](#) [60101931](#) [60598-1 \(Cut Strip\)](#) [M1625-3R/100](#) [61062-3](#) [61082-181009](#) [636-1427](#) [638009-1](#) [641938-9](#) [641991-4](#) [644168-1](#) [647662-1](#) [65039-019ELF](#) [65817-002LF](#) [65817-015LF](#) [65863-015LF](#) [66207-023LF](#) [67016-026LF](#) [67046-001LF](#) [67095-007LF](#) [68002-116](#) [68016-236H](#) [68648-049](#)