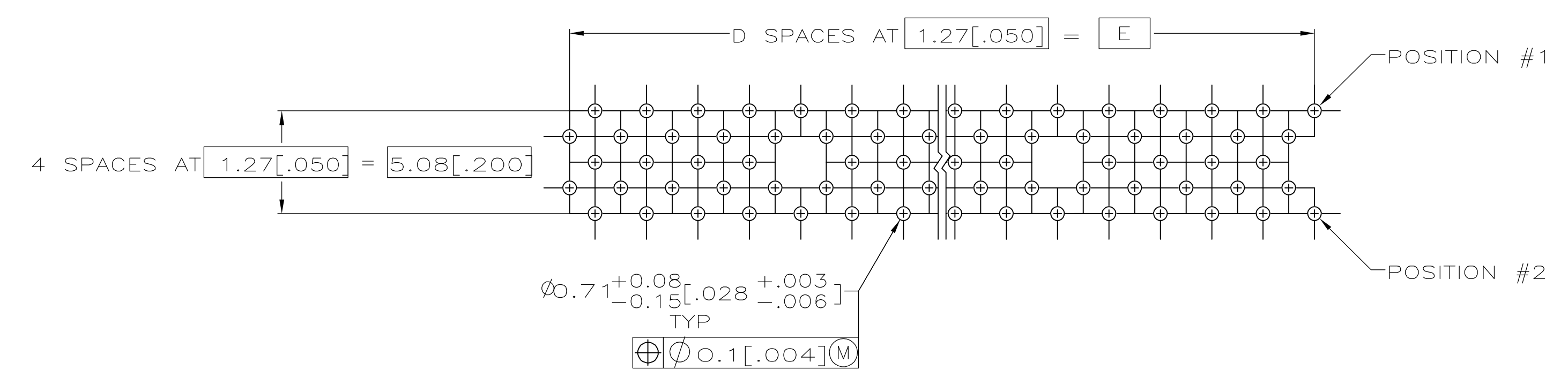
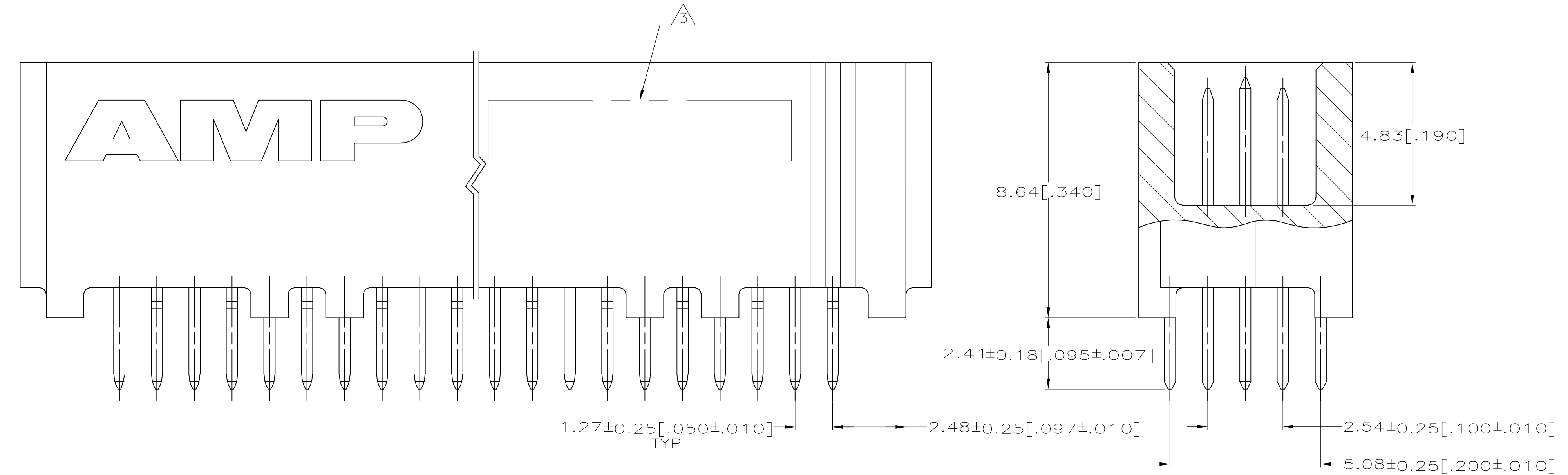


- 1 HOUSING: HIGH TEMPERATURE THERMOPLASTIC, COLOR NATURAL.  
 PIN CONTACTS: PHOSPHOR BRONZE.  
 GROUND BUSSES: PHOSPHOR BRONZE.
- 2 PIN CONTACTS: 0.00076[.000030] MIN GOLD IN CONTACT AREA,  
 0.00254-0.00762[.000100-.000300] TIN-LEAD ON SOLDER TAIL,  
 ALL OVER 0.00127-0.00254[.000050-.000100] NICKEL ON ENTIRE CONTACT.
- GROUND BUSSES: 0.00076[.000030] MIN GOLD IN CONTACT AREA,  
 0.00254-0.00762[.000100-.000300] TIN-LEAD ON SOLDER TAIL,  
 ALL OVER 0.00127-0.00254[.000050-.000100] NICKEL ON ENTIRE BUS.
- 3 DATE CODE MARKED IN AREA INDICATED.



	151.13 [5.950]	119	153.62 [6.048]	156.08 [6.145]	157.84 [6.214]	240	1-536280-1
OBSOLETE	138.43 [5.450]	109	140.92 [5.548]	143.38 [5.645]	145.14 [5.714]	220	1-536280-0
OBSOLETE	125.73 [4.950]	99	128.22 [5.048]	130.68 [5.145]	132.44 [5.214]	200	536280-9
	113.03 [4.450]	89	115.52 [4.548]	117.98 [4.645]	119.74 [4.714]	180	536280-8
	100.33 [3.950]	79	102.82 [4.048]	105.28 [4.145]	107.04 [4.214]	160	536280-7
OBSOLETE	87.63 [3.450]	69	90.12 [3.548]	92.58 [3.645]	94.34 [3.714]	140	536280-6
	74.93 [2.950]	59	77.42 [3.048]	79.88 [3.145]	81.64 [3.214]	120	536280-5
	62.23 [2.450]	49	64.72 [2.548]	67.18 [2.645]	68.94 [2.714]	100	536280-4
	49.53 [1.950]	39	52.02 [2.048]	54.48 [2.145]	56.24 [2.214]	80	536280-3
OBSOLETE	36.83 [1.450]	29	39.32 [1.548]	41.78 [1.645]	43.54 [1.714]	60	536280-2
	24.13 [.950]	19	26.62 [1.048]	29.08 [1.145]	30.84 [1.214]	40	536280-1
	E	D	C	B	A	NO OF POS	PART NUMBER

RECOMMENDED PC BOARD HOLE LAYOUT  
 (VIEWED FROM CONNECTOR SIDE)  
 SCALE 5:1

THIS DRAWING IS A CONTROLLED DOCUMENT.

DIMENSIONS:	TOLERANCES UNLESS OTHERWISE SPECIFIED:	DWN	J.GERACE	3-27-92		Tyco Electronics Corporation
mm [INCHES]		CHK	J.GERACE	3-27-92		Harrisburg, PA 17105-3608
	0 PLC ± -	APP'D	J.GERACE	3-27-92	NAME	PLUG ASSEMBLY, 10.92[.430]
	1 PLC ± -	PRODUCT SPEC				STACK, 2.41[.095] SOLDER TAIL
	2 PLC ± -	APPLICATION SPEC			SIZE	BOARD TO BOARD, MICRO-STRIP
	3 PLC ± 0.13 [.005]				114-11005	
	4 PLC ± -				100779	
	ANGLES ± -	WEIGHT			00779	
	FINISH				536280	
		CUSTOMER DRAWING			SCALE	10:1
					SHEET	1 OF 1
					REV	J

## X-ON Electronics

Largest Supplier of Electrical and Electronic Components

*Click to view similar products for [High Speed/Modular Connectors](#) category:*

*Click to view products by [TE Connectivity](#) manufacturer:*

Other Similar products are found below :

[650827-1](#) [74040-1346](#) [1410191-1](#) [1410368-3](#) [1410964-2](#) [1410326-3](#) [1410367-3](#) [1410971-4](#) [1467833-1](#) [2000877-1](#) [2000878-1](#) [2041314-1](#)  
[2065387-1](#) [2187307-1](#) [163P](#) [1934290-1](#) [2000875-1](#) [2065917-1](#) [2102736-2](#) [FSR-40](#) [2169868-2](#) [22354-8](#) [437-5040-000](#) [5-1393565-0](#) [039-](#)  
[0246-000](#) [0761601016](#) [0784461022](#) [10123159-12ELF](#) [030-2415-003/100 PK](#) [030-7380-004](#) [030-2494-001](#) [532939-1](#) [5532901-3](#) [3-1469268-](#)  
[7](#) [74748-102LF](#) [73670-0247](#) [10041743-101LF](#) [10066670-100002LF](#) [1-533915-1](#) [249-4515-000](#) [7-1469373-3](#) [DL2-2J/S](#) [2000713-8](#)  
[2000713-7](#) [10124313-101LF](#) [3011-21](#) [757105208](#) [EBTF-4-10-2.0-S-RA-1](#) [430305-001](#) [4395800100](#)