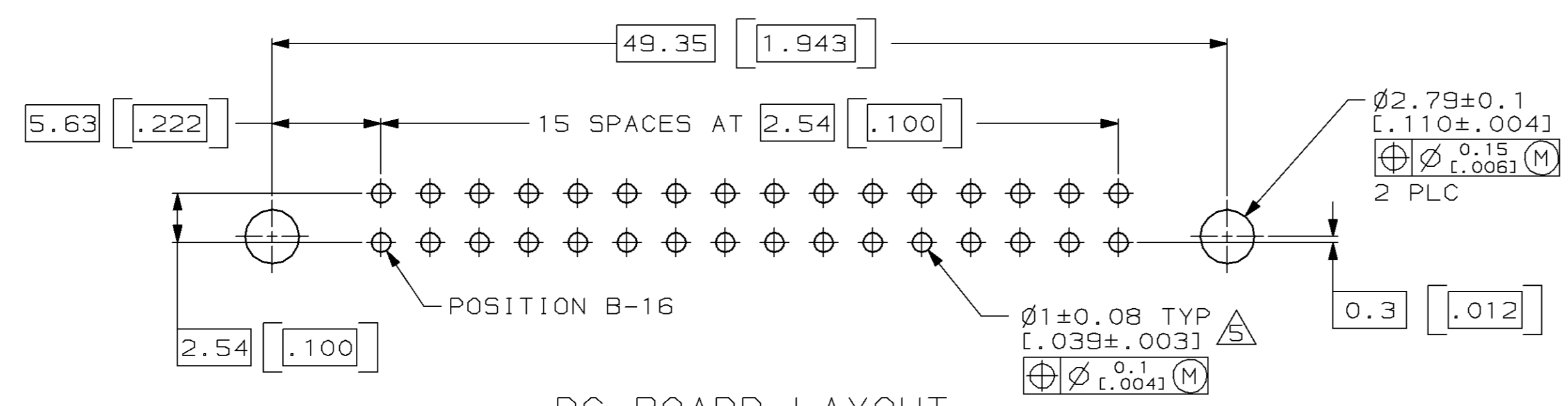
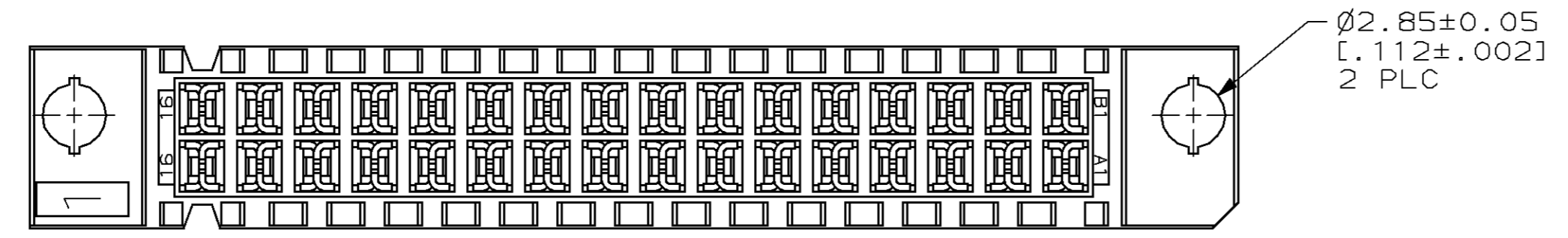
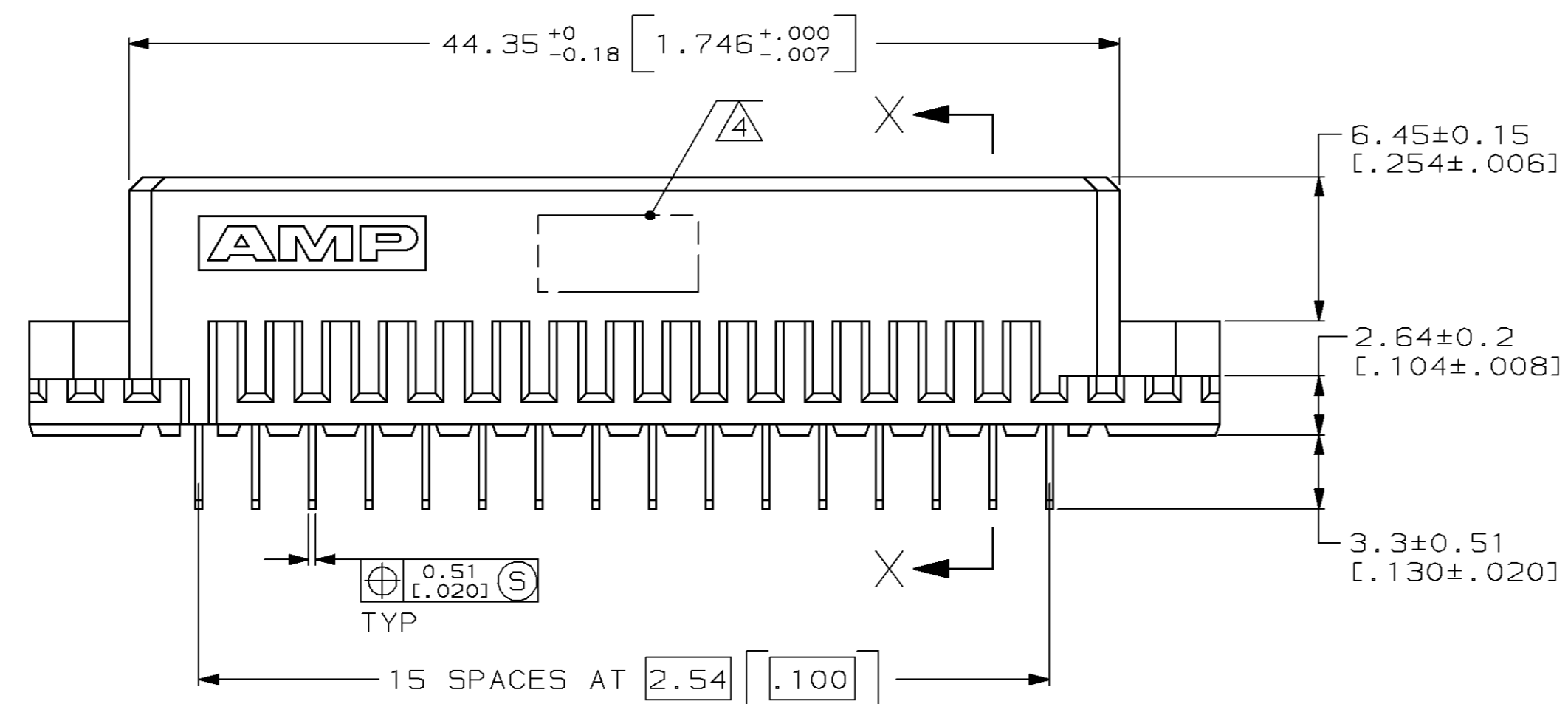
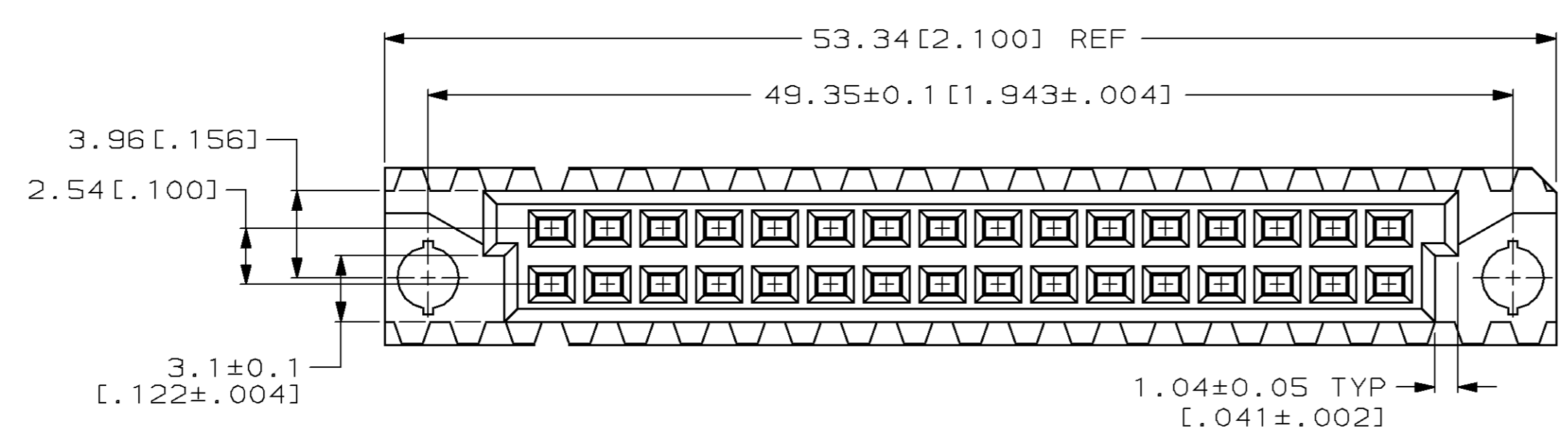
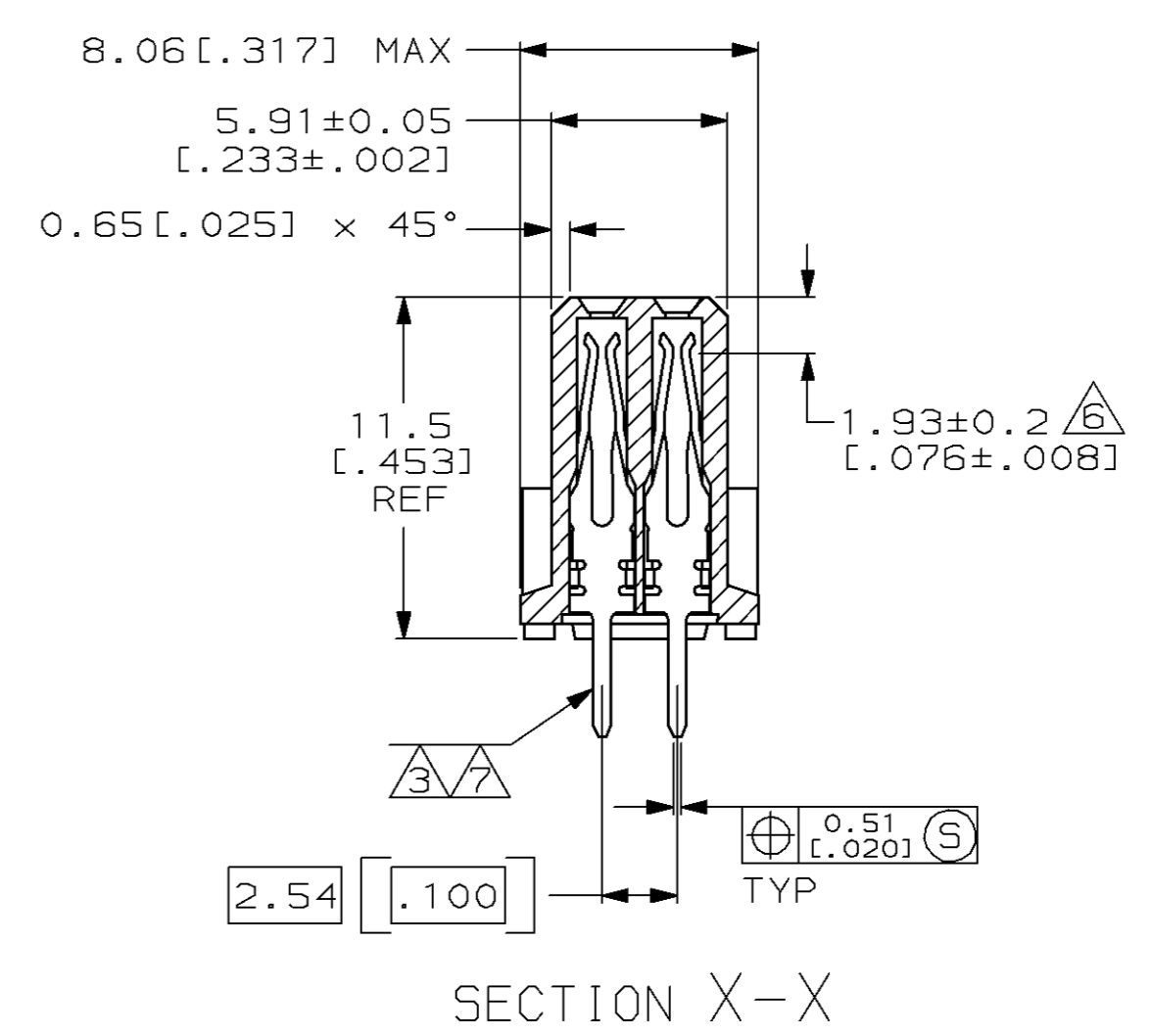


LOC		DIST		P		F		ZONE		LTR		REVISIONS		
AD	25											DESCRIPTION	DATE	APPD
												EC 0504-0087-96	11/18/96	CR



- △ HOUSING MATERIAL: GLASS-FILLED POLYESTER. COLOR: GRAY.
- △ CONTACT MATERIAL: PHOSPHOR BRONZE.
- △ CONTACT FINISH: DIN 41612 CLASS 2 IN CONTACT AREA. NICKEL UNDERPLATE ALL OVER. TIN-LEAD ON POSTS.
- △ PART NUMBER, DATE CODE IDENTIFICATION, CSA LOGO IN THIS APPROXIMATE AREA, ON REVERSE SIDE.
- △ RECOMMENDED HOLE SIZE FOR MANUAL APPLICATION OF CONNECTOR ONTO PC BOARD.
- △ CONTACT POINT.
- △ CONTACT FINISH: DIN 41612 CLASS 3 IN CONTACT AREA. NICKEL UNDERPLATE ALL OVER. TIN-LEAD ON POSTS.



SUPERSEDED BY 536446-5	△	1-16	X	X	32	536446-9
SUPERSEDED BY 536446-5	△	1-16	X	X	32	536446-5
SUPERSEDED BY 536446-5	△	1-16	X	X	32	536446-4
POSITIONS LOADED		B	A	NO. OF LOADED POSITION	ASSY PART NUMBER	

DO NOT SCALE PRINT. UNLESS SPECIFIED DIMENSIONS IN mm [INCHES] TOLERANCES ON:		DR L. BRINER 12/3/92	PART NO	
1 PLC DEC ± -	CHK R. PATTERSON 1/7/93	AMP Incorporated Harrisburg, PA 17105-3608		
2 PLC DEC ± 0.13(.005)	APPD R. PATTERSON 1/7/93	NAME		
ANGLES ± -	APPD D.C. RUBENDALL 1/7/93	RECEPTACLE ASSEMBLY, EUROCARD, TYPE "B"		
MATERIAL	PRODUCT SPEC	SIZE	CAGE CODE	DRAWING NO
HSG: △	-	D	00779	©=536446
CONT: △	-	SCALE	4:1	SHEET 1 OF 1
FINISH	APPLICATION SPEC	CUSTOMER DRAWING		
CONT: △△	-			

THIS DRAWING IS A CONTROLLED DOCUMENT FOR AMP INCORPORATED. IT IS SUBJECT TO CHANGE AND THE CONTROLLING ENGINEERING ORGANIZATION SHOULD BE CONTACTED FOR THE LATEST REVISION.

## X-ON Electronics

Largest Supplier of Electrical and Electronic Components

*Click to view similar products for [DIN 41612 Connectors](#) category:*

*Click to view products by [TE Connectivity](#) manufacturer:*

Other Similar products are found below :

[004.767](#) [602427301412000](#) [608489050008049](#) [691327-1](#) [74680-0340](#) [76453-0014](#) [86093159ALF](#) [9732967801](#) [QLC260R](#) [120X10019X](#)  
[122A11089X](#) [122A13089X](#) [122A10089X](#) [122A10129X](#) [122A13359X](#) [1377391-4](#) [DIN-048CPC-SR1-MH](#) [1393726-7](#) [143-1913-000](#) [143-1908-000](#) [1484472-1](#) [2110070-1](#) [2110070-2](#) [CBC20T00-008FDS5-0-1-002VR](#) [2-1393557-4](#) [394506](#) [419-2080-402](#) [419-2085-302](#)  
[V42254B2202C968](#) [419-2086-201](#) [419-2087-002](#) [424693](#) [448657-1](#) [448847-3](#) [5-1393755-9](#) [02990000004](#) [033020](#) [043619](#) [054302](#) [043556](#)  
[09062483201750](#) [09031646555](#) [09061486901840](#) [09185107324800](#) [102A10019X](#) [1-1393725-9](#) [166397-1](#) [V23533B2151G605](#) [0761420021](#)  
[9732646801](#)